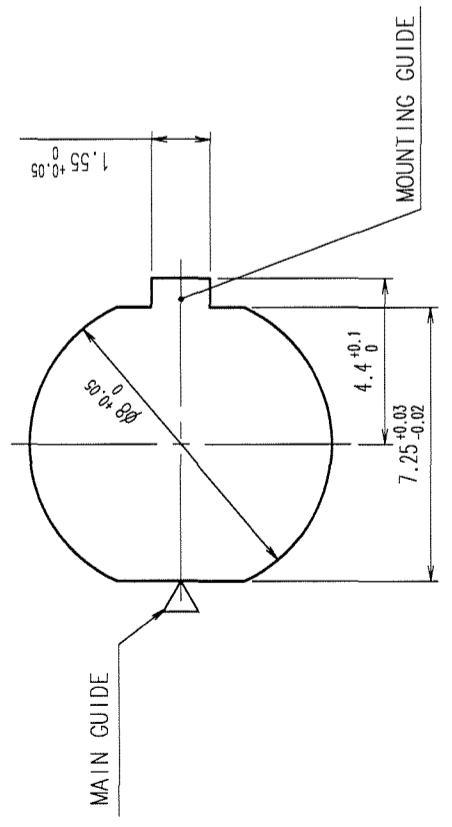
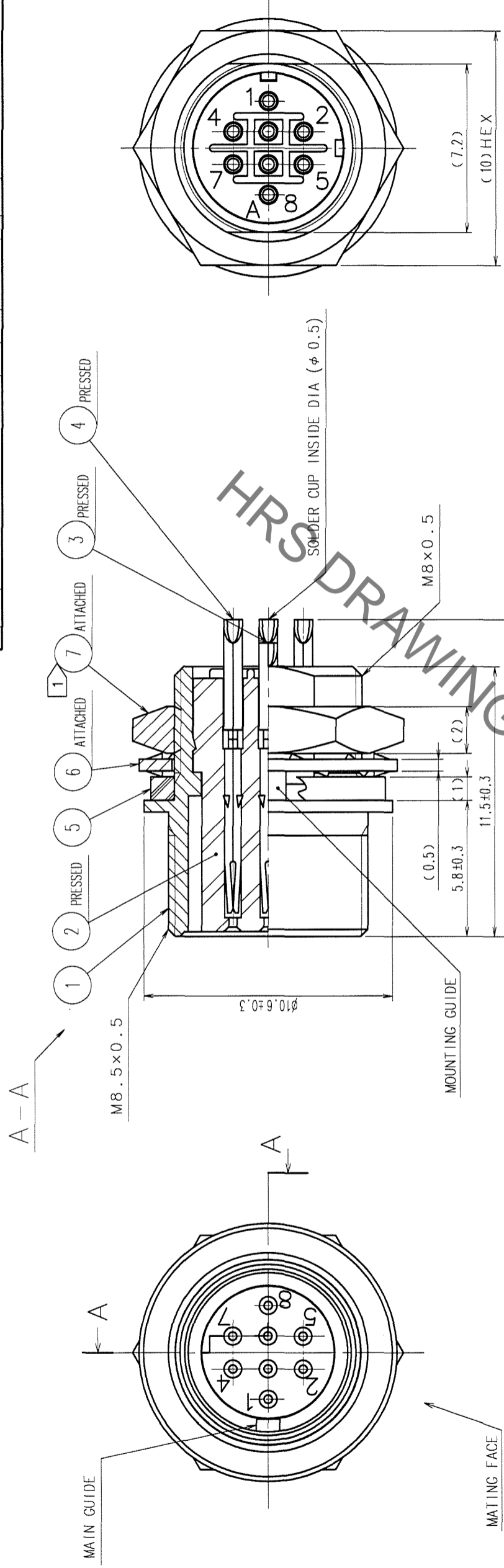


Sep.1.2021 Copyright 2021 HIROSE ELECTRIC CO., LTD. All Rights Reserved.
In case of consideration for using Automotive equipment / device which demand high reliability, kindly contact our sales window correspondents.



PANEL CUTOUT
(PANEL THICKNESS 0.7 TO 2)

NOTES
 1 THE RECOMMENDED TIGHTENING TORQUE OF REF. No. ϕ TO BE 1 N·m.
 COATING WITH LOCTITE 242 MANUFACTURED BY HENKEL JAPAN OR EQUIVALENT
 IS RECOMMENDED TO PREVENT LOOSENESS.
 2 CONTACT AREA : GOLD $0.2\mu\text{m}$ min.
 TERMINAL AREA : GOLD FLASH
 UNDER PLATING : NICKEL $2\mu\text{m}$ min.

NO.	MATERIAL	FINISH, REMARKS	NO.	MATERIAL	FINISH, REMARKS
4	PHOSPHOR BRONZE		7	BRASS	NICKEL PLATING
3	PHOSPHOR BRONZE		6	PHOSPHOR BRONZE	NICKEL PLATING
2	PPS	(BLACK) UL94V-0	5	EPDM	(BLACK)
1	ZINC ALLOY	MATTE FINISH NICKEL PLATING			

CODE NO. (OLD)	CL	DESIGNED	CHECKED	APPROVED	RELEASED
		H. Kawashima	H. Kawashima	M. Sato	
		65.11.29	65.11.29	65.11.30	
DRAWING NO.	EDC3-047696-73	PART NO.		HR25-7TR-8S(73)	
SCALE	5 : 1	CODE NO.		CL125-0011-1-73	
UNITS	mm				

TO
R

X-ON Electronics

Largest Supplier of Electrical and Electronic Components

Click to view similar products for [Standard Circular Connector](#) category:

Click to view products by [Hirose](#) manufacturer:

Other Similar products are found below :

[5M2530B10P](#) [600259N006](#) [600273N007](#) [6134-336-13149](#) [6134-337-11149](#) [6134-337-2390](#) [6134-341-17149](#) [6280-4SG-516](#) [6280-7SG-3DC](#)
[6290](#) [6291A](#) [66200A-10](#) [680-SMG](#) [681-PMG](#) [CXS3102A14S2P](#) [CXS3102A181S](#) [7251-6SG-300](#) [7271-6SG-300](#) [7282-3PG-300-CH3](#) [75-](#)
[474014-05S](#) [75-474618-01S](#) [75-474618-04P](#) [75-474618-04S](#) [799539-000](#) [MI8-SE](#) [805-005-07NF11-19PC](#) [805-005-07NF15-7PA](#) [8280-4PG-](#)
[516](#) [8280-7PG-519](#) [8282-5PG-519](#) [836783-1](#) [MP-4102-25P-C](#) [862256-1](#) [864019-2](#) [866857-1](#) [867865-1](#) [PT01SP-14-18P](#) [PT08P-14-5S](#)
[PTSF06SE-14-12S](#) [120-1833-000](#) [QCM019PC2DC012B](#) [1-2069279-1](#) [121583-0217](#) [121667-0020](#) [129591AU](#) [1000B BULK](#) [RD10A16-19-](#)
[P6CS051/1](#) [RD10A20-31-P8CS051/1](#) [RD16A14-12-S6CS051/2](#) [1301240290](#) [1301240347](#)