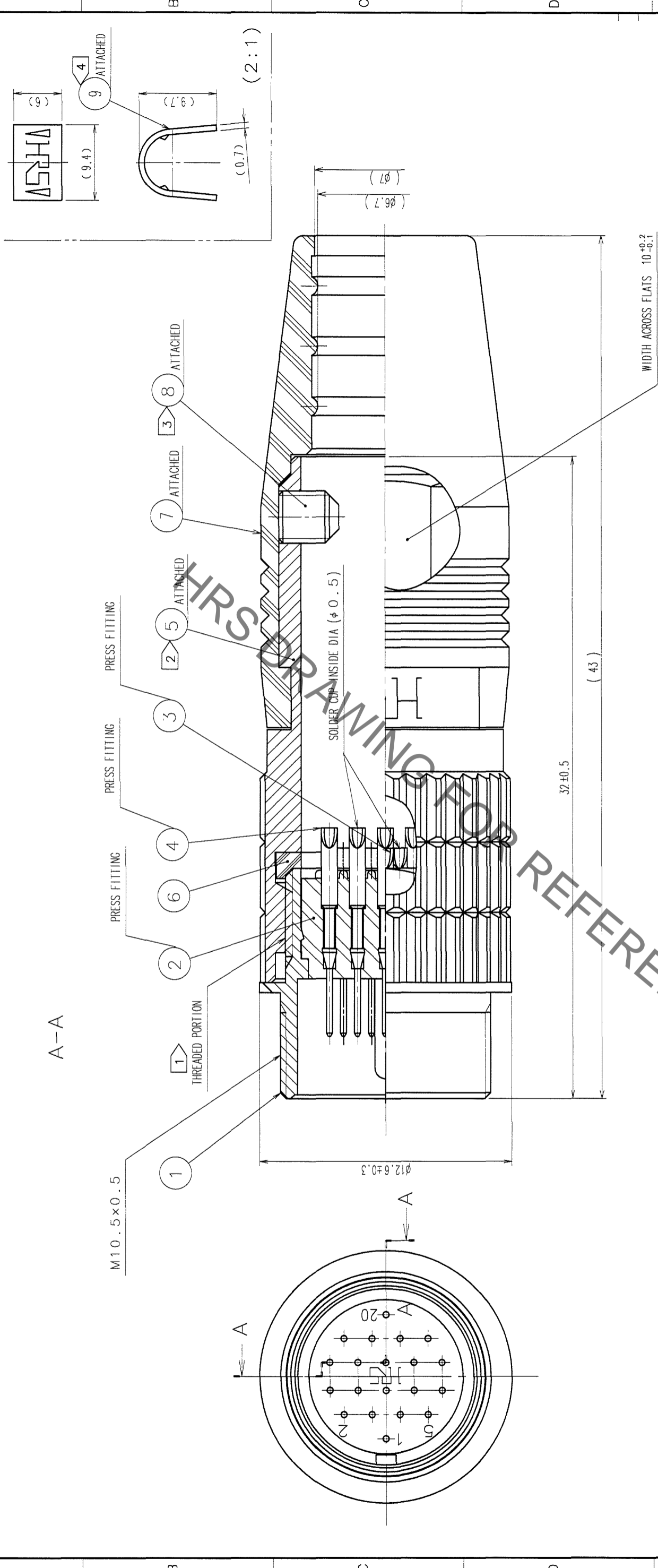


2 In case of consideration for using Automotive equipment / device which demand high reliability, kindly contact our sales window correspondents.

COUNT	DESCRIPTION OF REVISIONS	BY	CHKD	DATE

COUNT	DESCRIPTION OF REVISIONS	BY	CHKD	DATE



NOTE ① THREAD PORTION OF REF. NO.① AND ⑤ IS APPLIED WITH PRECOATING TO PREVENT LOOSENESS. HOWEVER THE ADHESIVE EFFECTIVENESS IS DECREASED WHEN REUSED. THEREFORE, TREAD PORTION IS RECOMMENDED TO COAT WITH LOCTITE 271 MANUFACTURED BY HENKEL JAPAN OR EQUIVALENT.

② THE RECOMMENDED TIGHTENING TORQUE OF REF. NO.⑤ TO BE 1 N · m.

③ THE TIP OF REF. NO.⑧ SHALL BE FIXED TO THE CONCAVE PORTION WITH REF. NO.⑨ CLAMPED TO THE CABLE. OPPOSITE SIDE DIMENSION OF A HEXAGON SOCKET OF REF. NO.⑧ IS 1.27mm. AND THE RECOMMENDED TIGHTENING TORQUE OF REF. NO.⑧ TO BE 0.3 TO 0.4 N · m.

④ MANUAL CRIMPING TOOL OF REF. NO.⑨ : HR10A-TC- 02 (THE HOLE DIAMETER FOR CRIMPING : φ 7)

⑤ ROTATION EXAMPLES OF REF. NO.① AND ⑤ ARE SHOWN.

⑥ OVER PLATING : GOLD 0.2μm min. UNDER PLATING : NICKEL 2μm min.

NO.	MATERIAL	FINISH, REMARKS	NO.	MATERIAL	FINISH, REMARKS
5	BRASS	NICKEL PLATING	9	BRASS	
4	PHOSPHOR BRONZE	⑥	8	STEEL	NICKEL PLATING (BLACK)
3	PHOSPHOR BRONZE	⑥	7	EPDM	(BLACK)
2	PPS	(BLACK) UL94V-0	6	EPDM	(BLACK)
1	ZINC ALLOY	MATTE FINISH NICKEL PLATED			

CODE NO. (OLD)	CL	DESIGNED	CHECKED	APPROVED	RELEASED
		H. Kawashima	T. Ogasawara	M. Sa Co	
		/05.11.25	/05.11.25	05.11.25	

DRAWING NO.	PART NO.
EDC3-110380-72	HR25-9TJ-20P(72)

SCALE	UNITS	CODE NO.
5 : 1	mm	CL125-0118-5-72

TO
R

X-ON Electronics

Largest Supplier of Electrical and Electronic Components

Click to view similar products for [Standard Circular Connector](#) category:

Click to view products by [Hirose](#) manufacturer:

Other Similar products are found below :

[5M2530B10P](#) [600259N006](#) [600273N007](#) [6134-336-13149](#) [6134-337-11149](#) [6134-337-2390](#) [6134-341-17149](#) [6280-4SG-516](#) [6280-7SG-3DC](#)
[6290](#) [6291A](#) [66200A-10](#) [680-SMG](#) [681-PMG](#) [CXS3102A14S2P](#) [CXS3102A181S](#) [7251-6SG-300](#) [7271-6SG-300](#) [7282-3PG-300-CH3](#) [75-](#)
[474014-05S](#) [75-474618-01S](#) [75-474618-04S](#) [799539-000](#) [MI8-SE](#) [805-005-07NF11-19PC](#) [805-005-07NF15-7PA](#) [8280-4PG-516](#) [8280-7PG-](#)
[519](#) [8282-5PG-519](#) [836783-1](#) [MP-4102-25P-C](#) [862256-1](#) [864019-2](#) [866857-1](#) [867865-1](#) [PT01SP-14-18P](#) [PT08P-14-5S](#) [PTSF06SE-14-12S](#)
[120-1833-000](#) [QCM019PC2DC012B](#) [1-2069279-1](#) [121583-0217](#) [121667-0020](#) [129591AU](#) [1000B BULK](#) [RD10A16-19-P6CS051/1](#)
[RD10A20-31-P8CS051/1](#) [RD16A14-12-S6CS051/2](#) [1301240290](#) [1301240347](#) [1301860202](#)