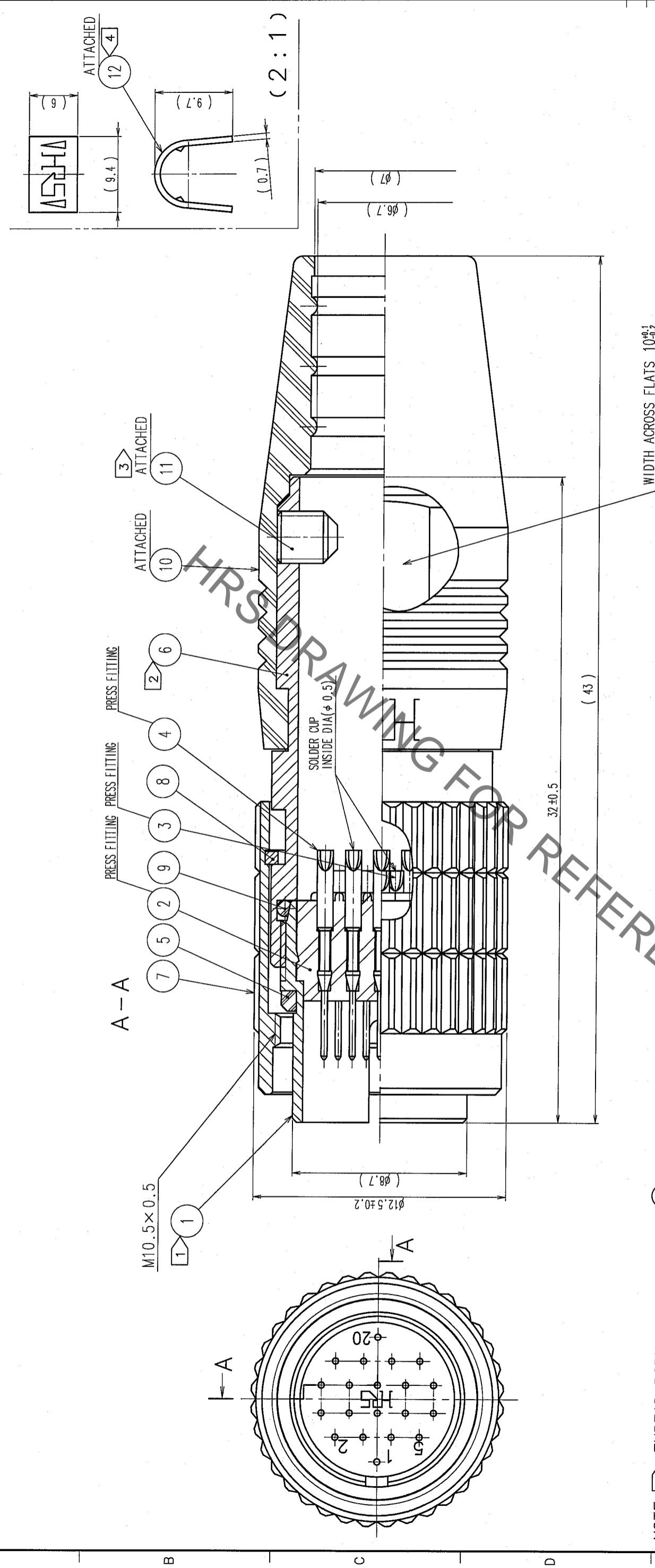


COUNT	DESCRIPTION OF REVISIONS	BY	CHKD	DATE	COUNT	DESCRIPTION OF REVISIONS	BY	CHKD	DATE



NOTE ① THREAD PORTION OF REF.NO. ① IS APPLIED WITH PRECOATING TO PREVENT LOOSENESS. HOWEVER, THE ADHESIVE EFFECTIVENESS IS DECREASED WHEN REUSED. THEREFORE, TREAD PORTION IS RECOMMENDED TO COAT WITH LOCTITE 271 MANUFACTURED BY HENKEL JAPAN OR EQUIVALENT.

② THE RECOMMENDED TIGHTENING TORQUE OF REF.NO. ⑥ TO BE 1 N·m.

③ THE TIP OF REF.NO. ① SHALL BE FIXED TO THE CONCAVE PORTION WITH REF.NO. ⑫ CLAMPED TO THE CABLE.

④ OPPOSITE SIDE DIMENSION OF A HEXAGON SOCKET OF REF.NO. ⑪ IS 1.27mm. AND THE RECOMMENDED TIGHTENING TORQUE OF REF.NO. ① TO BE 0.3 TO 0.4 N·m.

⑤ MANUAL CRIMPING TOOL OF REF.NO. ⑫ : HR10A-TC-02 (THE HOLE DIAMETER FOR CRIMPING : φ 7)

⑥ ROTATION EXAMPLES OF REF.NO. ① AND ⑥ ARE SHOWN.

⑦ OVER PLATING : GOLD 0.2μm min.

⑧ UNDER PLATING : NICKEL 2μm min.

NO.	MATERIAL	FINISH, REMARKS	NO.	MATERIAL	FINISH, REMARKS
6	BRASS	NICKEL PLATING (BLACK)	12	BRASS	NICKEL PLATING M2.6x0.45x3 (BLACK)
5	EPDM	⑥	11	STEEL	(BLACK)
4	PHOSPHOR BRONZE	⑥	10	EPDM	(BLACK)
3	PHOSPHOR BRONZE	⑥	9	EPDM	(BLACK)
2	PPS	(BLACK) UL94V-0	8	PHOSPHOR BRONZE	NICKEL PLATING
1	ZINC ALLOY	MATTE FINISH NICKEL PLATING	7	BRASS	NICKEL PLATING

CODE NO. (OLD)	CL	DRAWN	DESIGNED	CHECKED	APPROVED	RELEASED
		H.Kawashima	H.Kawashima	T.Obayama	M. Sato	
		05-11-5	05-11-5	05-11-5	05-11-05	

DRAWING NO.	EDC3-047206-72	PART NO.	HR25-9TP-20P(72)
SCALE	5 : 1	CODE NO.	CL125-0105-3-72
UNITS	mm		

TO	
R	

X-ON Electronics

Largest Supplier of Electrical and Electronic Components

Click to view similar products for [Standard Circular Connector](#) category:

Click to view products by [Hirose](#) manufacturer:

Other Similar products are found below :

[5M2530B10P](#) [600259N006](#) [600273N007](#) [6134-336-13149](#) [6134-337-11149](#) [6134-337-2390](#) [6134-341-17149](#) [6280-4SG-516](#) [6280-7SG-3DC](#)
[6290](#) [6291A](#) [66200A-10](#) [680-SMG](#) [681-PMG](#) [CXS3102A14S2P](#) [CXS3102A181S](#) [7251-6SG-300](#) [7271-6SG-300](#) [7282-3PG-300-CH3](#) [75-](#)
[474014-05S](#) [75-474618-01S](#) [75-474618-04P](#) [75-474618-04S](#) [799539-000](#) [MI8-SE](#) [805-005-07NF11-19PC](#) [805-005-07NF15-7PA](#) [8280-4PG-](#)
[516](#) [8280-7PG-519](#) [8282-5PG-519](#) [836783-1](#) [MP-4102-25P-C](#) [862256-1](#) [864019-2](#) [866857-1](#) [867865-1](#) [PT01SP-14-18P](#) [PT08P-14-5S](#)
[PTSF06SE-14-12S](#) [120-1833-000](#) [QCM019PC2DC012B](#) [1-2069279-1](#) [121583-0217](#) [121667-0020](#) [129591AU](#) [1000B BULK](#) [RD10A16-19-](#)
[P6CS051/1](#) [RD10A20-31-P8CS051/1](#) [RD16A14-12-S6CS051/2](#) [1301240290](#) [1301240347](#)