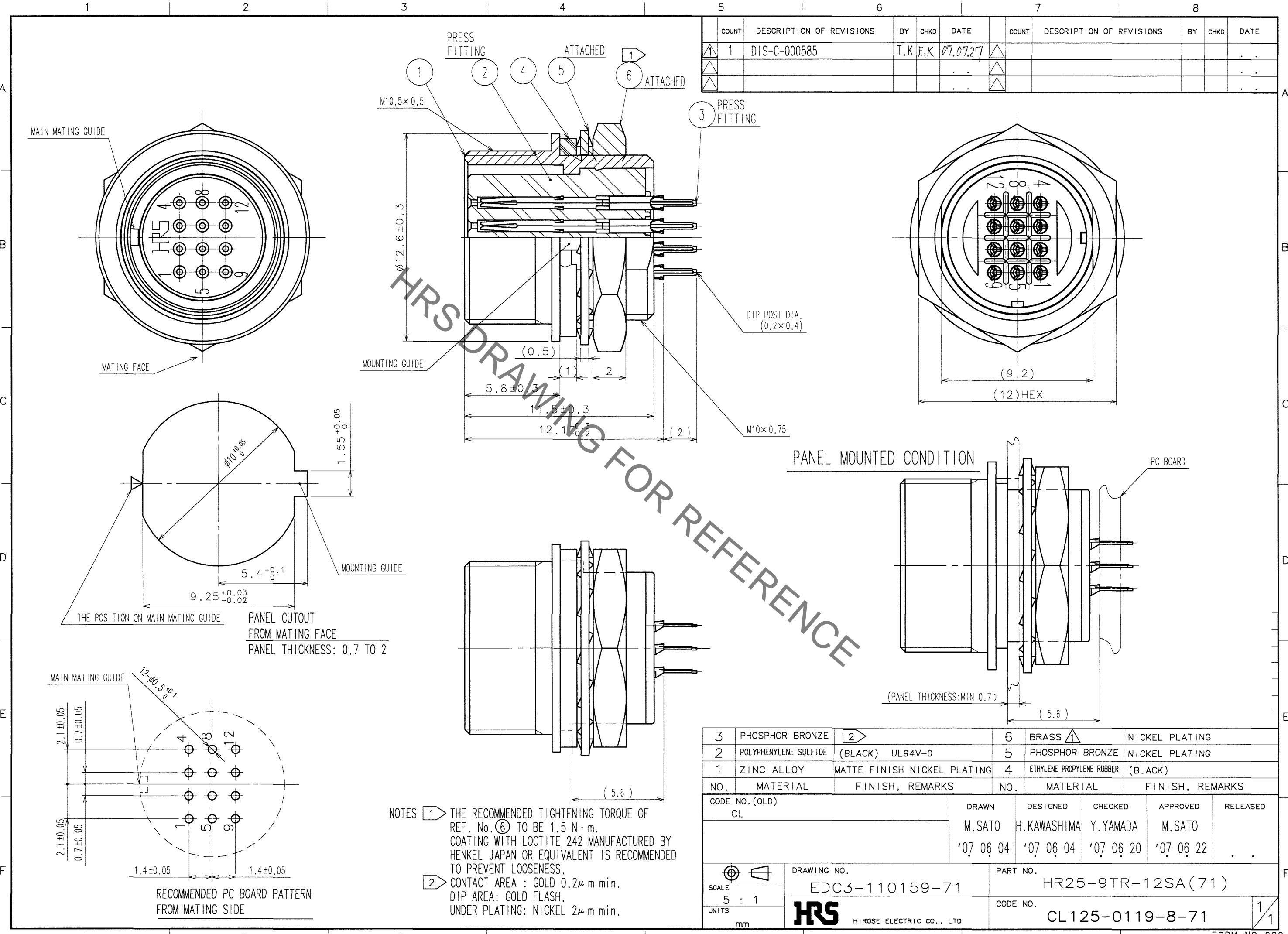


Sep.1.2021 Copyright 2021 HIROSE ELECTRIC CO., LTD. All Rights Reserved.
In case of consideration for using Automotive equipment / device which demand high reliability, kindly contact our sales window correspondents.



| COUNT | DESCRIPTION OF REVISIONS | BY | CHKD | DATE | COUNT | DESCRIPTION OF REVISIONS | BY | CHKD | DATE |
|-------|--------------------------|-----|------|----------|-------|--------------------------|----|------|------|
| 1 | DIS-C-000585 | T.K | E,K | 07.07.27 | | | | | |
| | | | | | | | | | |
| | | | | | | | | | |

HRS DRAWING FOR REFERENCE

NOTES

① THE RECOMMENDED TIGHTENING TORQUE OF REF. No. ⑥ TO BE 1.5 N·m. COATING WITH LOCTITE 242 MANUFACTURED BY HENKEL JAPAN OR EQUIVALENT IS RECOMMENDED TO PREVENT LOOSENESS.

② CONTACT AREA : GOLD 0.2μm min. DIP AREA: GOLD FLASH. UNDER PLATING: NICKEL 2μm min.

| NO. | MATERIAL | FINISH, REMARKS | NO. | MATERIAL | FINISH, REMARKS |
|-----|-----------------------|-----------------------------|-----|---------------------------|-----------------|
| 3 | PHOSPHOR BRONZE | ② | 6 | BRASS | NICKEL PLATING |
| 2 | POLYPHENYLENE SULFIDE | (BLACK) UL94V-0 | 5 | PHOSPHOR BRONZE | NICKEL PLATING |
| 1 | ZINC ALLOY | MATTE FINISH NICKEL PLATING | 4 | ETHYLENE PROPYLENE RUBBER | (BLACK) |

| CODE NO. (OLD) | DRAWN | DESIGNED | CHECKED | APPROVED | RELEASED |
|----------------|-----------|-------------|-----------|-----------|----------|
| CL | M.SATO | H.KAWASHIMA | Y.YAMADA | M.SATO | |
| | '07 06 04 | '07 06 04 | '07 06 20 | '07 06 22 | |

| SCALE | DRAWING NO. | PART NO. |
|-------|------------------------------|-------------------|
| 5 : 1 | EDC3-110159-71 | HR25-9TR-12SA(71) |
| UNITS | mm | CODE NO. |
| | HRS HIROSE ELECTRIC CO., LTD | CL125-0119-8-71 |

| |
|----|
| TO |
| R |
| |
| |

X-ON Electronics

Largest Supplier of Electrical and Electronic Components

Click to view similar products for [Standard Circular Connector](#) category:

Click to view products by [Hirose](#) manufacturer:

Other Similar products are found below :

[5M2530B10P](#) [600259N006](#) [600273N007](#) [6134-336-13149](#) [6134-337-11149](#) [6134-337-2390](#) [6134-341-17149](#) [6280-4SG-516](#) [6280-7SG-3DC](#)
[6290](#) [6291A](#) [66200A-10](#) [680-SMG](#) [681-PMG](#) [CXS3102A14S2P](#) [CXS3102A181S](#) [7251-6SG-300](#) [7271-6SG-300](#) [7282-3PG-300-CH3](#) [75-](#)
[474014-05S](#) [75-474618-01S](#) [75-474618-04P](#) [75-474618-04S](#) [799539-000](#) [MI8-SE](#) [805-005-07NF11-19PC](#) [805-005-07NF15-7PA](#) [8280-4PG-](#)
[516](#) [8280-7PG-519](#) [8282-5PG-519](#) [836783-1](#) [MP-4102-25P-C](#) [862256-1](#) [864019-2](#) [866857-1](#) [867865-1](#) [PT01SP-14-18P](#) [PT08P-14-5S](#)
[PTSF06SE-14-12S](#) [120-1833-000](#) [QCM019PC2DC012B](#) [1-2069279-1](#) [121583-0217](#) [121667-0020](#) [129591AU](#) [1000B BULK](#) [RD10A16-19-](#)
[P6CS051/1](#) [RD10A20-31-P8CS051/1](#) [RD16A14-12-S6CS051/2](#) [1301240290](#) [1301240347](#)