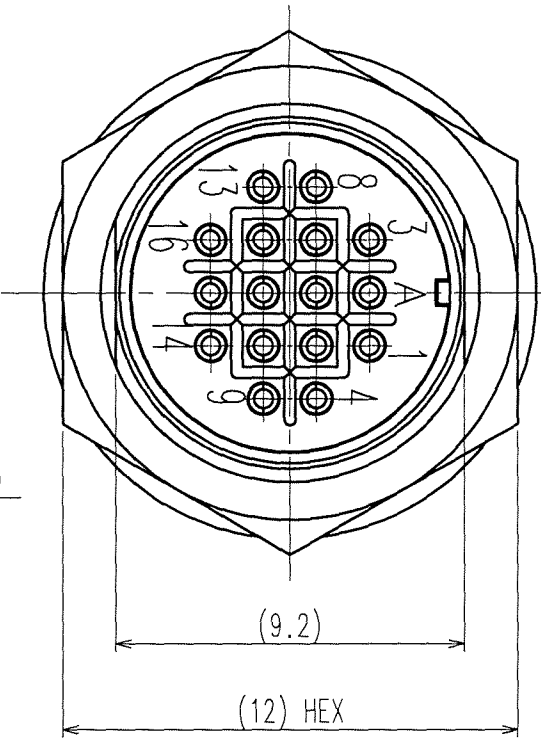
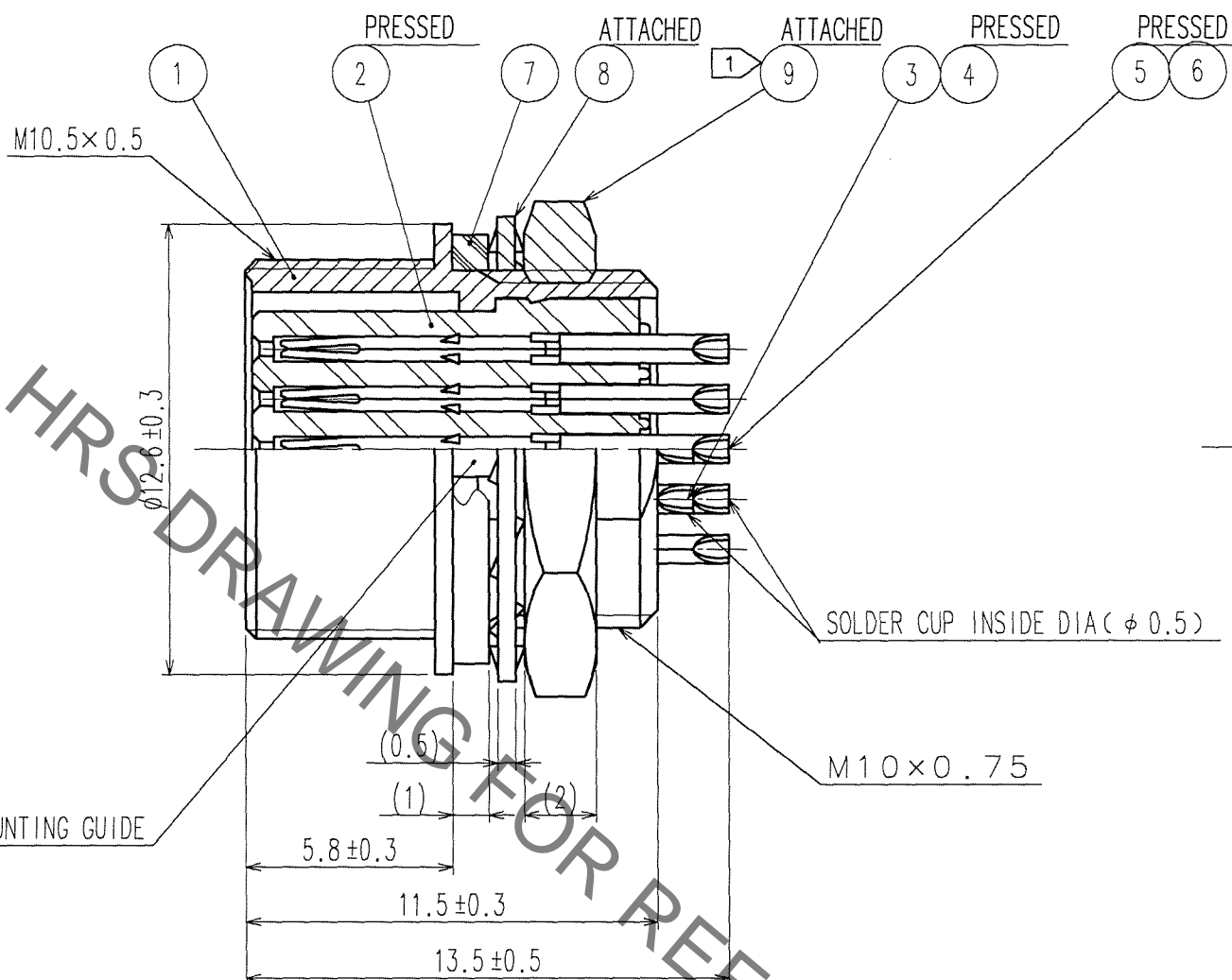
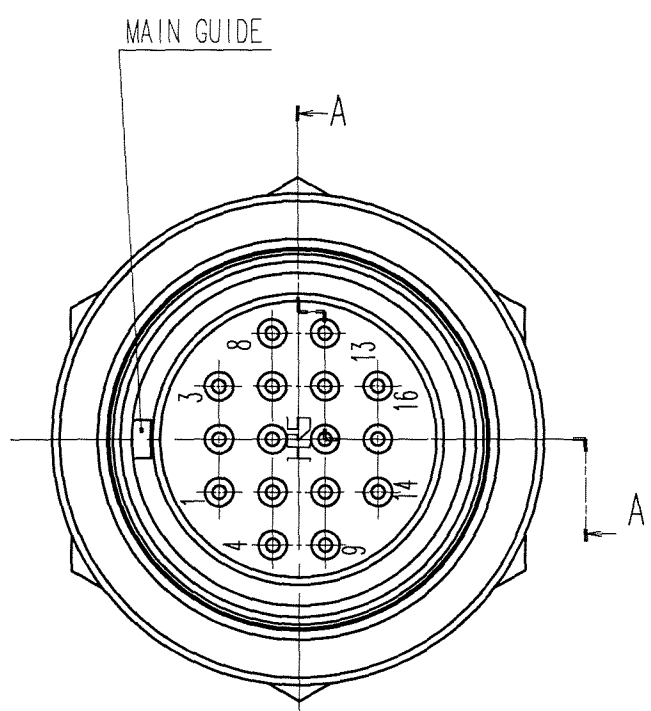


Sep.1.2021 Copyright 2021 HIROSE ELECTRIC CO., LTD. All Rights Reserved.
In case of consideration for using Automotive equipment / device which demand high reliability, kindly contact our sales window correspondents.

COUNT	DESCRIPTION OF REVISIONS	BY	CHKD	DATE	COUNT	DESCRIPTION OF REVISIONS	BY	CHKD	DATE
1	DIS-C-000585	T.K	E.K	07.07.27					

A-A



CONNECTOR ENGAGEMENT SIDE

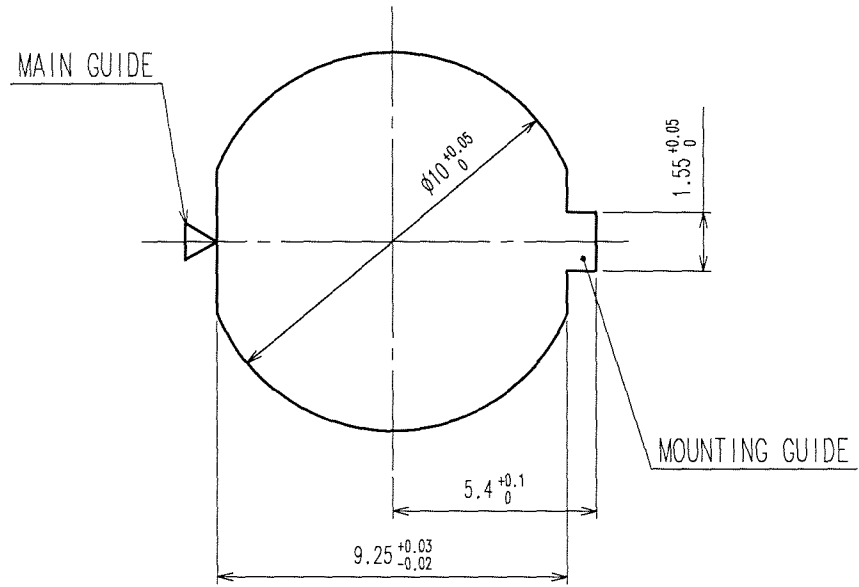
MOUNTING GUIDE

SOLDER CUP INSIDE DIA (φ 0.5)

M10x0.75

(9.2)

(12) HEX



ENGAGEMENT SIDE PANEL CUTOUT

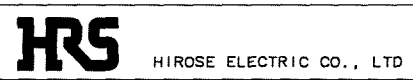
PANEL THICKNESS : 0.7 TO 2

THE RECOMMENDED TIGHTENING TORQUE OF REF. NO. 9 SHALL BE 1.5N·m.
LOCTITE 242(HENCKEL JAPAN LTD.) OR EQUIVALENT IS RECOMMENDED TO PREVENT REF.NO. 9 FROM LOOSENING.
CONTACT AREA:GOLD PLATING 0.2μm min
TERMINAL AREA:GOLD FLASH PLATING
UNDER PLATING :NICKEL PLATING 2μm min

NO.	MATERIAL	FINISH, REMARKS	NO.	MATERIAL	FINISH, REMARKS
5, 6	PHOSPHOR BRONZE	2			
3, 4	PHOSPHOR BRONZE	2	9	BRASS	NICKEL PLATING
2	PPS	(BLACK) UL94V-0	8	PHOSPHOR BRONZE	NICKEL PLATING
1	ZINC ALLOY	MATT FINISH NICKEL PLATED	7	EPDM	(BLACK)

CODE NO. (OLD)	DRAWN	DESIGNED	CHECKED	APPROVED	RELEASED
CL	H.KAWASHIMA	H.KAWASHIMA	E.KUNII	M.YOSHIDA	
	'05 4 22	'05 4 22	'05 4 25	'05 4 25	

SCALE	DRAWING NO.	PART NO.
5 : 1	EDC3-048542-71	HR25-9TR-16S(71)
UNITS	CODE NO.	
mm	CL125-0109-4-71	



1/1

TO
R

X-ON Electronics

Largest Supplier of Electrical and Electronic Components

Click to view similar products for [Standard Circular Connector](#) category:

Click to view products by [Hirose](#) manufacturer:

Other Similar products are found below :

[5M2530B10P](#) [600259N006](#) [600273N007](#) [6134-336-13149](#) [6134-337-11149](#) [6134-337-2390](#) [6134-341-17149](#) [6280-4SG-516](#) [6280-7SG-3DC](#)
[6290](#) [6291A](#) [66200A-10](#) [680-SMG](#) [681-PMG](#) [CXS3102A14S2P](#) [CXS3102A181S](#) [7251-6SG-300](#) [7271-6SG-300](#) [7282-3PG-300-CH3](#) [75-](#)
[474014-05S](#) [75-474618-01S](#) [75-474618-04S](#) [799539-000](#) [MI8-SE](#) [805-005-07NF11-19PC](#) [805-005-07NF15-7PA](#) [8280-4PG-516](#) [8280-7PG-](#)
[519](#) [8282-5PG-519](#) [836783-1](#) [MP-4102-25P-C](#) [862256-1](#) [864019-2](#) [866857-1](#) [867865-1](#) [PT01SP-14-18P](#) [PT08P-14-5S](#) [PTSF06SE-14-12S](#)
[120-1833-000](#) [QCM019PC2DC012B](#) [1-2069279-1](#) [121583-0217](#) [121667-0020](#) [129591AU](#) [1000B BULK](#) [RD10A16-19-P6CS051/1](#)
[RD10A20-31-P8CS051/1](#) [RD16A14-12-S6CS051/2](#) [1301240290](#) [1301240347](#) [1301860202](#)