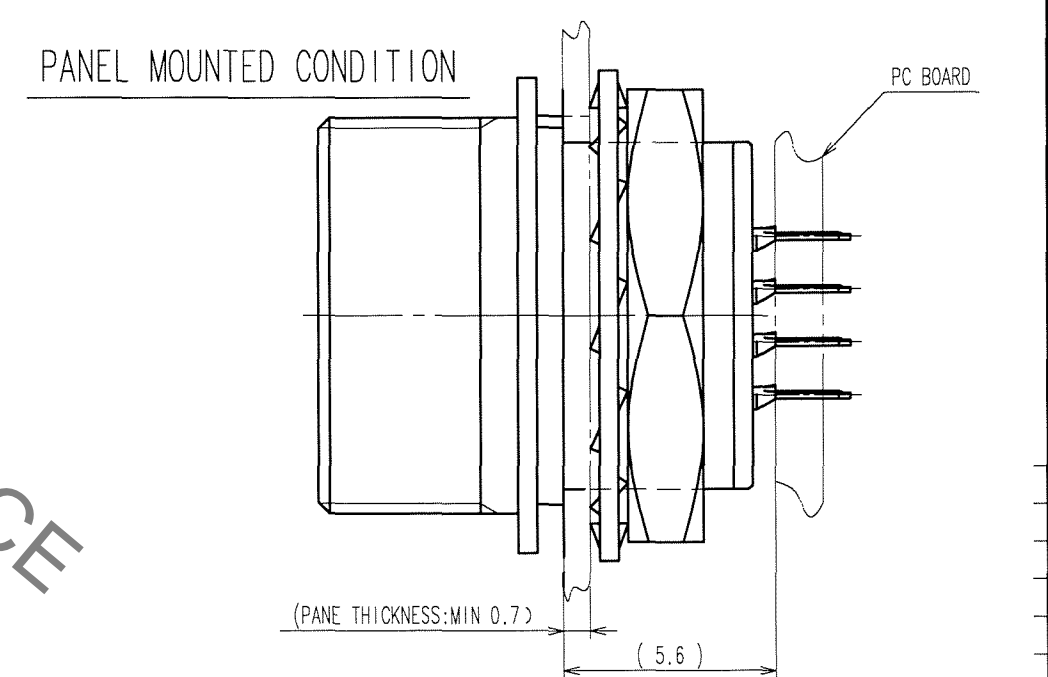
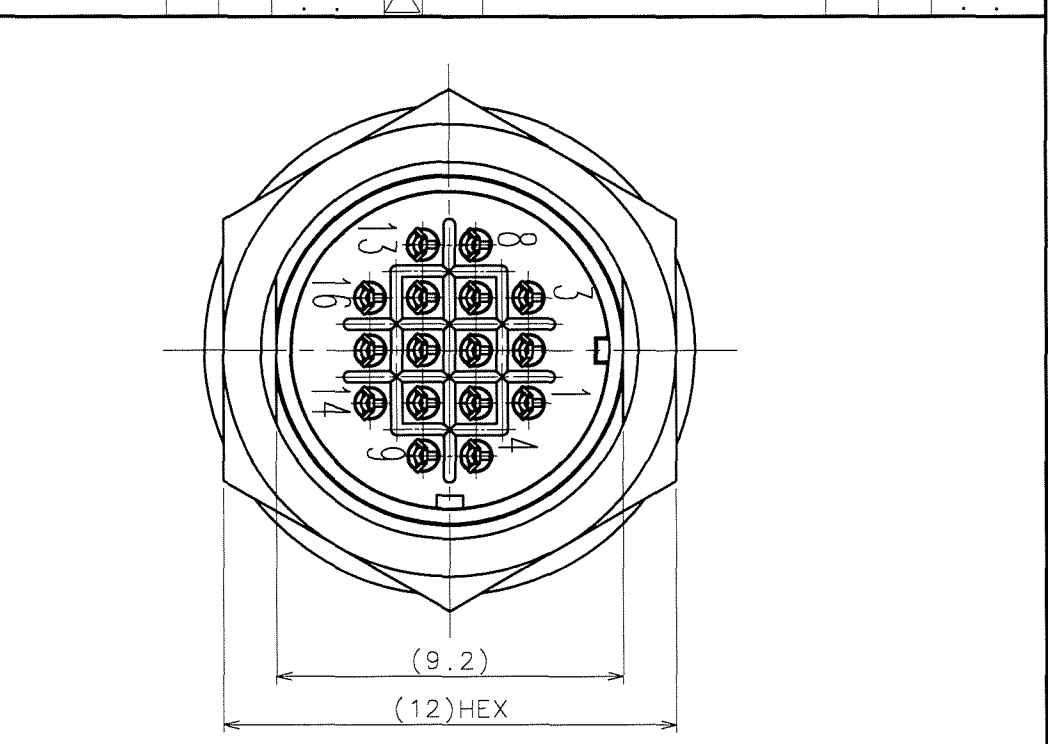
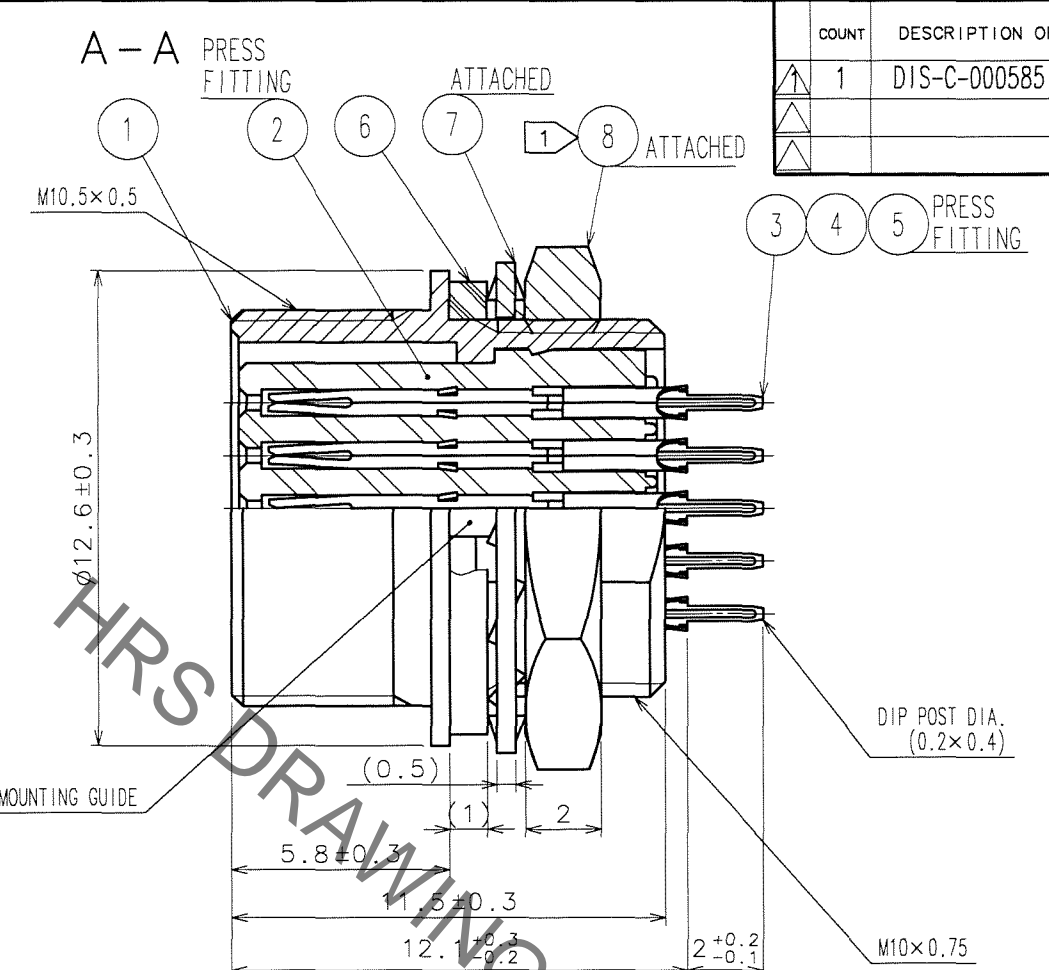
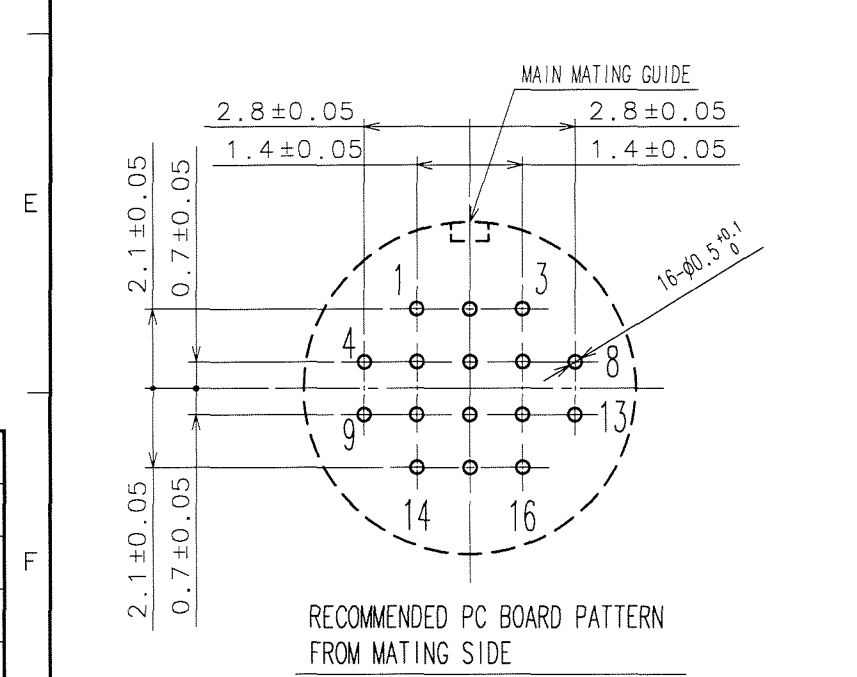
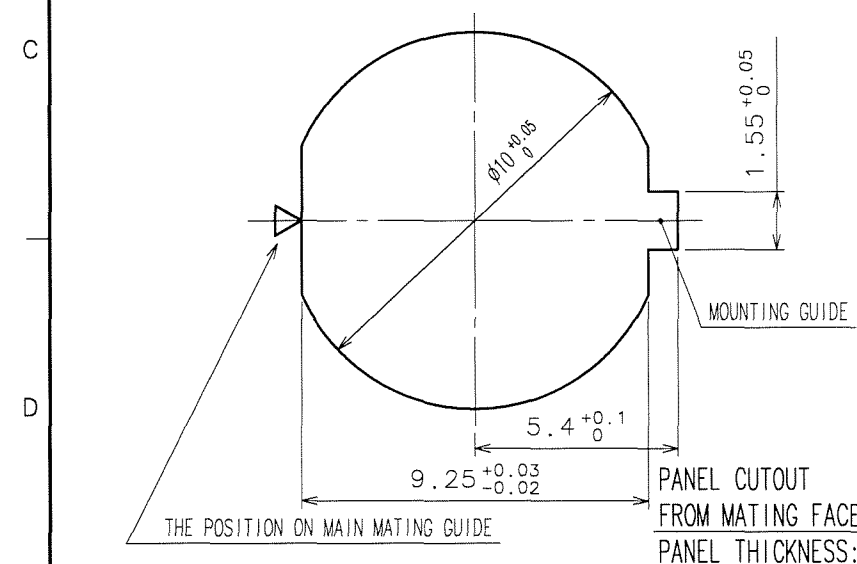
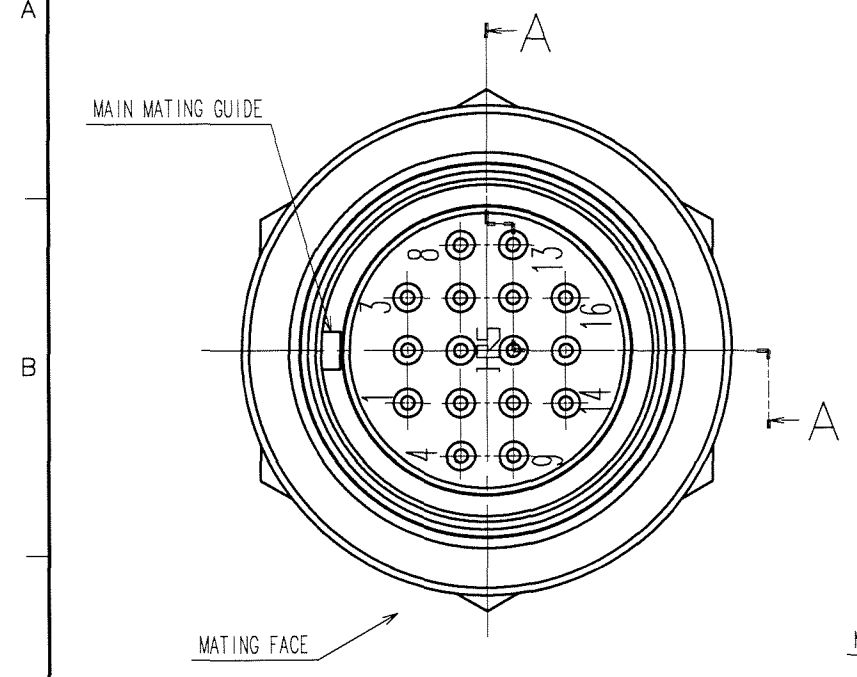


Sep.1.2021 Copyright 2021 HIROSE ELECTRIC CO., LTD. All Rights Reserved.  
In case of consideration for using Automotive equipment / device which demand high reliability, kindly contact our sales window correspondents.

COUNT	DESCRIPTION OF REVISIONS	BY	CHKD	DATE	COUNT	DESCRIPTION OF REVISIONS	BY	CHKD	DATE
1	DIS-C-000585	T.K	E.K	07.07.27					



HRS DRAWING FOR REFERENCE

4	PHOSPHOR BRONZE	2	8	BRASS	1	NICKEL PLATING
3	PHOSPHOR BRONZE	2	7	PHOSPHOR BRONZE		NICKEL PLATING
2	POLYPHENYLENE SULFIDE	(BLACK) UL94V-0	6	ETHYLENE PROPYLENE RUBBER	(BLACK)	
1	ZINC ALLOY	MATTE FINISH NICKEL PLATING	5	PHOSPHOR BRONZE	2	
NO.	MATERIAL	FINISH, REMARKS	NO.	MATERIAL	FINISH, REMARKS	

- NOTES
- 1 THE RECOMMENDED TIGHTENING TORQUE OF REF. No. ⑧ TO BE 1.5 N·m. COATING WITH LOCTITE 242 MANUFACTURED BY HENKEL JAPAN OR EQUIVALENT IS RECOMMENDED TO PREVENT LOOSENESS.
  - 2 CONTACT AREA : GOLD 0.2 μm min. DIP AREA: GOLD FLASH. UNDER PLATING: NICKEL 2 μm min.

CODE NO. (OLD) CL	DRAWN M.SATO	DESIGNED H.KAWASHIMA	CHECKED Y.YAMADA	APPROVED E.KUNII	RELEASED .
SCALE 5 : 1	DRAWING NO. EDC3-110029-71		PART NO. HR25-9TR-16SA(71)		
UNITS mm	HIROSE ELECTRIC CO., LTD		CODE NO. CL125-0121-0-71		1/1

TO
R

## X-ON Electronics

Largest Supplier of Electrical and Electronic Components

*Click to view similar products for [Standard Circular Connector](#) category:*

*Click to view products by [Hirose](#) manufacturer:*

Other Similar products are found below :

[5M2530B10P](#) [600259N006](#) [600273N007](#) [6134-336-13149](#) [6134-337-11149](#) [6134-337-2390](#) [6134-341-17149](#) [6280-4SG-516](#) [6280-7SG-3DC](#)  
[6290](#) [6291A](#) [66200A-10](#) [680-SMG](#) [681-PMG](#) [CXS3102A14S2P](#) [CXS3102A181S](#) [7251-6SG-300](#) [7271-6SG-300](#) [7282-3PG-300-CH3](#) [75-](#)  
[474014-05S](#) [75-474618-01S](#) [75-474618-04P](#) [75-474618-04S](#) [799539-000](#) [MI8-SE](#) [805-005-07NF11-19PC](#) [805-005-07NF15-7PA](#) [8280-4PG-](#)  
[516](#) [8280-7PG-519](#) [8282-5PG-519](#) [836783-1](#) [MP-4102-25P-C](#) [862256-1](#) [864019-2](#) [866857-1](#) [867865-1](#) [PT01SP-14-18P](#) [PT08P-14-5S](#) [120-](#)  
[1833-000](#) [QCM019PC2DC012B](#) [1-2069279-1](#) [121583-0217](#) [121667-0020](#) [129591AU](#) [1000B BULK](#) [RD10A16-19-P6CS051/1](#) [RD10A20-31-](#)  
[P8CS051/1](#) [RD16A14-12-S6CS051/2](#) [1301240290](#) [1301240347](#) [1301860202](#)