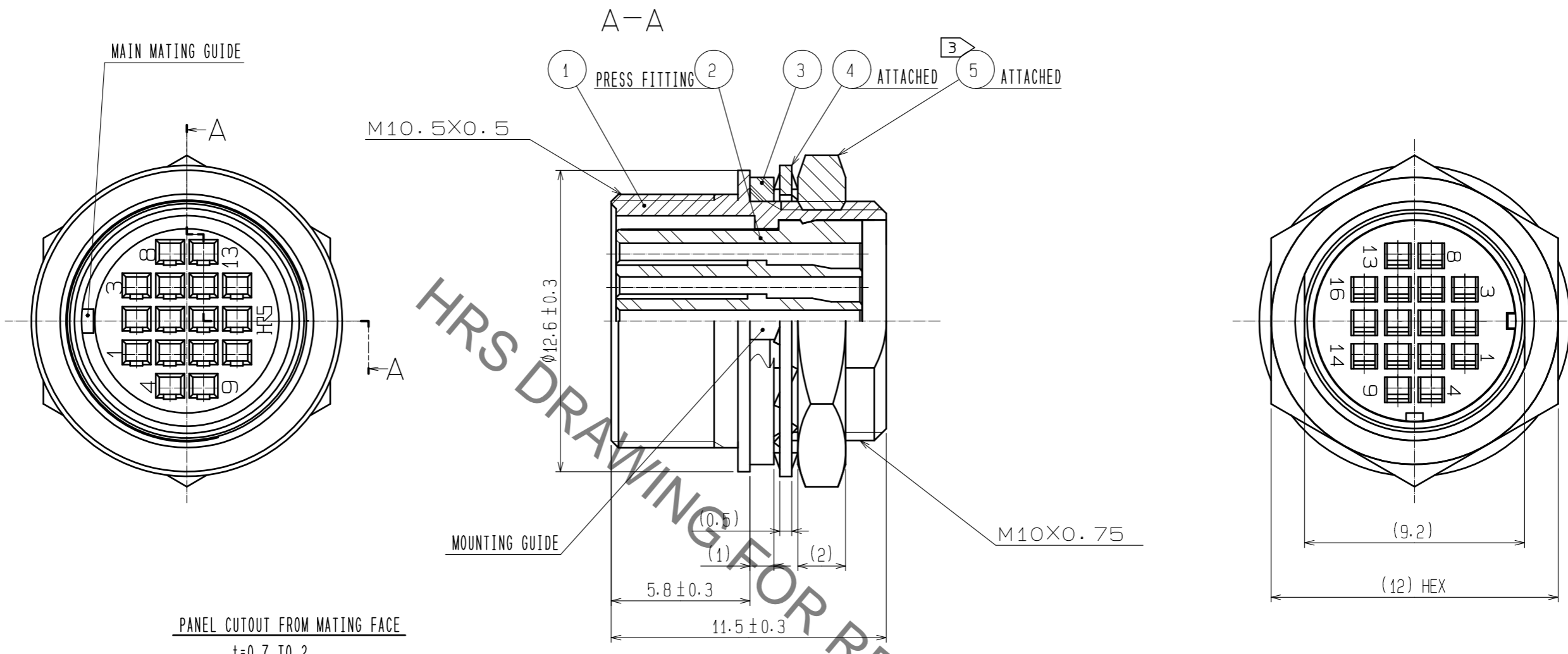


Sep.1.2021 Copyright 2021 HIROSE ELECTRIC CO., LTD. All Rights Reserved.
In case of consideration for using Automotive equipment / device which demand high reliability, kindly contact our sales window correspondents.



HRS DRAWING FOR REFERENCE

- NOTES 1 APPLICABLE CRIMP CONTACT :HR25-SC-211(CCL125-0422-6)
(APPLICABLE WIRE:AWG#30,WIRE JACKET DIAMETER:φ0.71 MAX.)
2 APPLICABLE CONTACT REMOVAL TOOL(EXTRACTION TOOL:HR25-TPCCL150-0091-0)
3 THE RECOMMENDED TIGHTENING TORQUE OF REF.No. ⑤ TO BE 1.5N·m.
COATING WITH LOCTITE 243 MANUFACTURED BY HENKEL JAPAN OR EQUIVALENT IS RECOMMENDED TO PREVENT LOOSENESS.

| 3 | ETHYLENE PROPYLENE RUBBER | (BLACK) | | | | | | |
|--------------------------------------|---------------------------|----------------------------|------------|-----------------|--------------------------|-------------------|---------|------|
| 2 | POLYPHENYLENE SULFIDE | (BLACK) UL94V-0 | 5 | BRASS | NICKEL PLATING | | | |
| 1 | ZINC ALLOY | MATTE FINISH NICKEL PLATED | 4 | PHOSPHOR BRONZE | NICKEL PLATING | | | |
| NO. | MATERIAL | FINISH . REMARKS | NO. | MATERIAL | FINISH . REMARKS | | | |
| UNITS | mm | SCALE | 5 : 1 | COUNT | DESCRIPTION OF REVISIONS | DESIGNED | CHECKED | DATE |
| HRS HIROSE ELECTRIC CO., LTD. | | APPROVED | :EJ. KUNII | 15.10.14 | DRAWING NO. | EDC-110005-71-00 | | |
| | | CHECKED | :EJ. KUNII | 15.10.14 | PART NO. | HR25-9TR-16SC(71) | | |
| | | DESIGNED | :MM. ISHII | 15.10.14 | CODE NO. | CL125-0409-8-71 | | |
| | | DRAWN | :MM. ISHII | 15.10.14 | | ①/1 | | |

X-ON Electronics

Largest Supplier of Electrical and Electronic Components

Click to view similar products for [Standard Circular Connector](#) category:

Click to view products by [Hirose](#) manufacturer:

Other Similar products are found below :

[5M2530B10P](#) [600259N006](#) [600273N007](#) [6134-336-13149](#) [6134-337-11149](#) [6134-337-2390](#) [6134-341-17149](#) [6280-4SG-516](#) [6280-7SG-3DC6290](#) [6291A](#) [66200A-10](#) [680-SMG](#) [681-PMG](#) [CXS3102A14S2P](#) [CXS3102A181S](#) [7251-6SG-300](#) [7271-6SG-300](#) [7282-3PG-300-CH3](#) [75-474014-05S](#) [75-474618-01S](#) [75-474618-04S](#) [799539-000](#) [MI8-SE](#) [805-005-07NF11-19PC](#) [805-005-07NF15-7PA](#) [8280-4PG-516](#) [8280-7PG-519](#) [8282-5PG-519](#) [836783-1](#) [MP-4102-25P-C](#) [862256-1](#) [864019-2](#) [866857-1](#) [867865-1](#) [PT01SP-14-18P](#) [PT08P-14-5S](#) [PTSF06SE-14-12S120-1833-000](#) [QCM019PC2DC012B](#) [1-2069279-1](#) [121583-0217](#) [121667-0020](#) [129591AU](#) [1000B BULK](#) [RD10A16-19-P6CS051/1](#)
[RD10A20-31-P8CS051/1](#) [RD16A14-12-S6CS051/2](#) [1301240290](#) [1301240347](#) [1301860202](#)