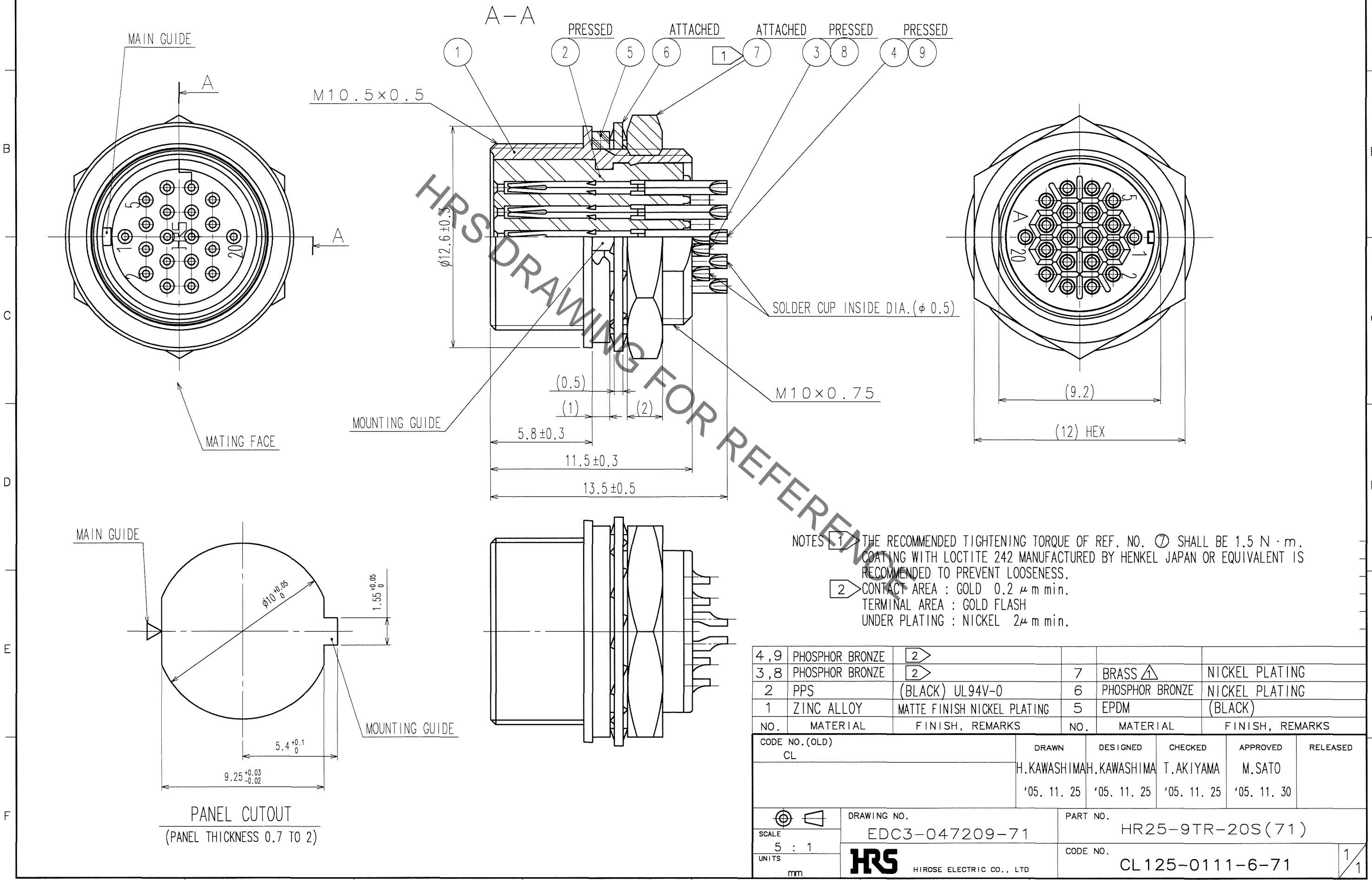


Sep.1.2021 Copyright 2021 HIROSE ELECTRIC CO., LTD. All Rights Reserved.
In case of consideration for using Automotive equipment / device which demand high reliability, kindly contact our sales window correspondents.

| COUNT | DESCRIPTION OF REVISIONS | BY | CHKD | DATE | COUNT | DESCRIPTION OF REVISIONS | BY | CHKD | DATE |
|-------|--------------------------|-----|------|----------|-------|--------------------------|----|------|------|
| 1 | DIS-C-000585 | T.K | E.K | 07.07.27 | | | | | |
| | | | | | | | | | |
| | | | | | | | | | |



NOTES [1] THE RECOMMENDED TIGHTENING TORQUE OF REF. NO. ⑦ SHALL BE 1.5 N · m.
COATING WITH LOCTITE 242 MANUFACTURED BY HENKEL JAPAN OR EQUIVALENT IS RECOMMENDED TO PREVENT LOOSENESS.
[2] CONTACT AREA : GOLD 0.2 μ m min.
TERMINAL AREA : GOLD FLASH
UNDER PLATING : NICKEL 2 μ m min.

| 4, 9 | PHOSPHOR BRONZE | [2] | | | |
|------|-----------------|-----------------------------|-----|-----------------|-----------------|
| 3, 8 | PHOSPHOR BRONZE | [2] | 7 | BRASS [Δ] | NICKEL PLATING |
| 2 | PPS | (BLACK) UL94V-0 | 6 | PHOSPHOR BRONZE | NICKEL PLATING |
| 1 | ZINC ALLOY | MATTE FINISH NICKEL PLATING | 5 | EPDM | (BLACK) |
| NO. | MATERIAL | FINISH, REMARKS | NO. | MATERIAL | FINISH, REMARKS |

| CODE NO. (OLD) | DRAWN | DESIGNED | CHECKED | APPROVED | RELEASED |
|----------------|-------------|-------------|-------------|-------------|----------|
| CL | H.KAWASHIMA | H.KAWASHIMA | T.AKIYAMA | M.SATO | |
| | '05. 11. 25 | '05. 11. 25 | '05. 11. 25 | '05. 11. 30 | |

| | | |
|----------------|-------------------------------------|------------------------------|
| SCALE 5 : 1 | DRAWING NO. EDC3-047209-71 | PART NO. HR25-9TR-20S(71) |
| UNITS mm | HRS HIROSE ELECTRIC CO., LTD | CODE NO. CL125-0111-6-71 |

| |
|----|
| TO |
| R |
| |
| |

1/1

X-ON Electronics

Largest Supplier of Electrical and Electronic Components

Click to view similar products for [Standard Circular Connector](#) category:

Click to view products by [Hirose](#) manufacturer:

Other Similar products are found below :

[5M2530B10P](#) [600259N006](#) [600273N007](#) [6134-336-13149](#) [6134-337-11149](#) [6134-337-2390](#) [6134-341-17149](#) [6280-4SG-516](#) [6280-7SG-3DC6290](#) [6291A](#) [66200A-10](#) [680-SMG](#) [681-PMG](#) [CXS3102A14S2P](#) [CXS3102A181S](#) [7251-6SG-300](#) [7271-6SG-300](#) [7282-3PG-300-CH3](#) [75-474014-05S](#) [75-474618-01S](#) [75-474618-04S](#) [799539-000](#) [MI8-SE](#) [805-005-07NF11-19PC](#) [805-005-07NF15-7PA](#) [8280-4PG-516](#) [8280-7PG-519](#) [8282-5PG-519](#) [836783-1](#) [MP-4102-25P-C](#) [862256-1](#) [864019-2](#) [866857-1](#) [867865-1](#) [PT01SP-14-18P](#) [PT08P-14-5S](#) [PTSF06SE-14-12S120-1833-000](#) [QCM019PC2DC012B](#) [1-2069279-1](#) [121583-0217](#) [121667-0020](#) [129591AU](#) [1000B BULK](#) [RD10A16-19-P6CS051/1](#)
[RD10A20-31-P8CS051/1](#) [RD16A14-12-S6CS051/2](#) [1301240290](#) [1301240347](#) [1301860202](#)