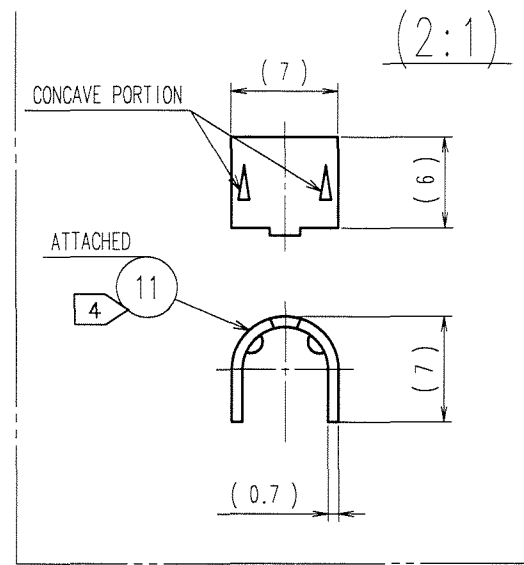
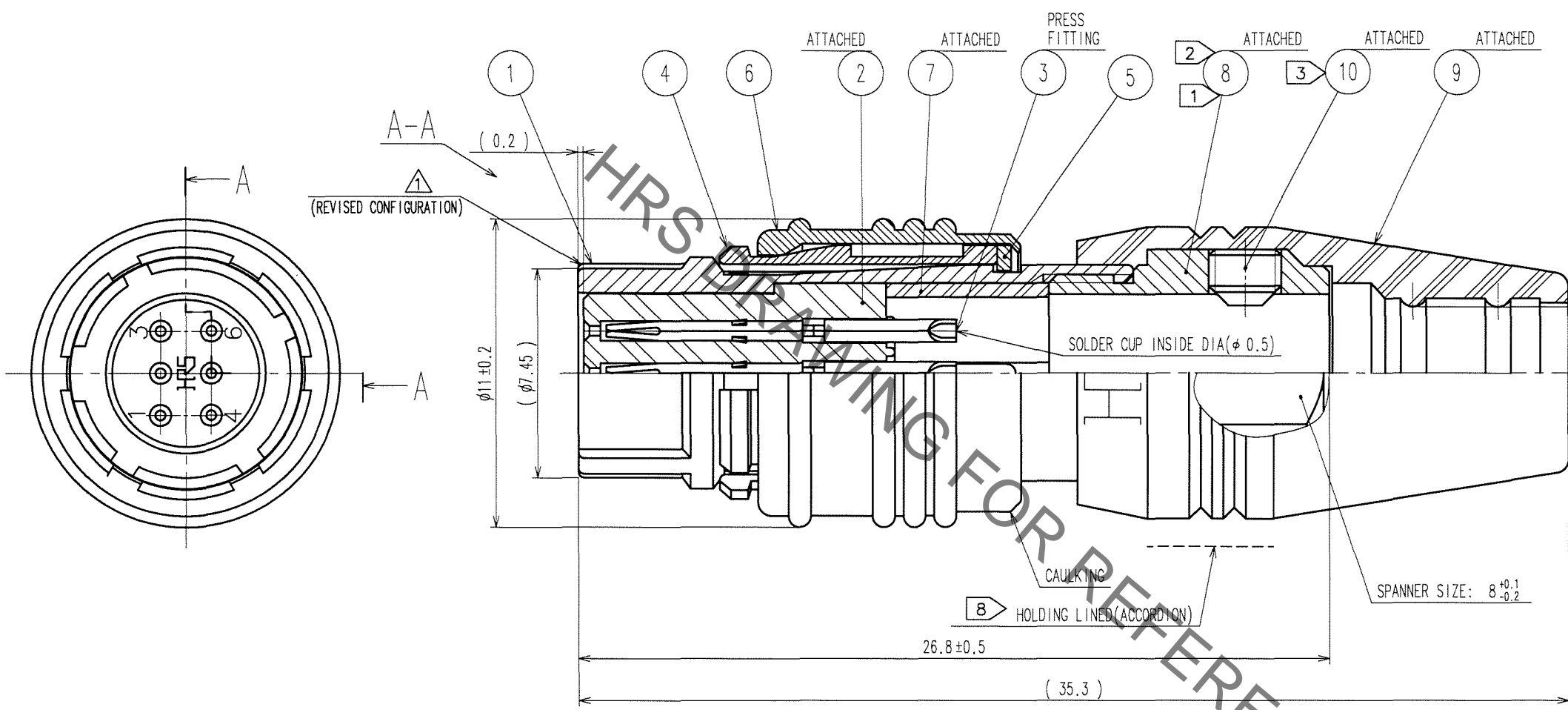


Sep.1.2021 Copyright 2021 HIROSE ELECTRIC CO., LTD. All Rights Reserved.
In case of consideration for using Automotive equipment / device which demand high reliability, kindly contact our sales window correspondents.

COUNT	DESCRIPTION OF REVISIONS	BY	CHKD	DATE	COUNT	DESCRIPTION OF REVISIONS	BY	CHKD	DATE
1	DIS-C-000627	T.K	E.K	07.05.25					



- NOTES
- ① THREAD PORTION OF REF. No. ⑧ IS APPLIED WITH PRECOATING TO PREVENT LOOSENESS. HOWEVER, THE ADHESIVE EFFECTIVENESS IS DECREASED WHEN REUSED. THEREFORE, THREAD PORTION IS RECOMMENDED TO COAT WITH LOCTITE 271 MANUFACTURED BY HENKEL JAPAN OR EQUIVALENT.
 - ② THE RECOMMENDED TIGHTENING TORQUE OF REF. No. ⑧ TO BE 1 N·m.
 - ③ THE TIP OF REF. No. ⑩ SHALL BE FIXED TO THE CONCAVE PORTION WITH REF. No. ⑪ CLAMPED TO THE CABLE. OPPOSITE SIDE DIMENSION OF A HEXAGON SOCKET OF REF. No. ⑩ IS 1.27mm. AND THE RECOMMENDED TIGHTENING TORQUE OF REF. No. ⑩ TO BE 0.3 TO 0.4 N·m.
 - ④ MANUAL CRIMPING TOOL OF REF. No. ⑪ : HR10A-TC-02 (THE HOLE DIAMETER FOR CRIMPING: φ 5.3)
 - ⑤ ROTATION EXAMPLES OF REF. No. ① AND ⑧, ⑨ ARE SHOWN.
 - ⑥ CONTACT AREA : GOLD 0.2 μm min.
TERMINAL AREA: GOLD FLASH.
UNDERPLATING : NICKEL 2 μm min.
 - ⑦ REFER TO THE TECHNICAL SPECIFICATION ATAD-C0140 FOR ASSEMBLY PROCEDURE.
 - ⑧ FOR SECURE CLICK SENSATION WHEN MATING, DO NOT HOLD REF. No. ⑥.
THIS PRODUCT SHALL BE MATED WITH HOLDING LINED (ACCORDION) AREA OF REF. No. ⑨.
INSERT THE PLUG UNTIL IT CLICKS.
FOR THE WITHDRAWAL, PULL THE CONNECTOR BY HOLDING REF. No. ⑥.
 - ⑨ THE CABLE PULL AND TWISTING STRENGTH AND OTHER CHARACTERISTICS MAY DIFFER, DEPENDING ON THE CABLE STRUCTURE. PLEASE CONFIRM BEFORE THE USE.

6	BRASS	MATTE FINISH NICKEL PLATING	11	BRASS	
5	BRASS	NICKEL PLATING	10	STEEL	NICKEL PLATING M2.6x0.45x2
4	PHOSPHOR BRONZE	NICKEL PLATING	9	ETHYLENE PROPYLENE RUBBER	(BLACK)
3	PHOSPHOR BRONZE	⑥	8	BRASS	NICKEL PLATING
2	POLYPHENYLENE SULFIDE	(BLACK) UL94V-0	7	POLYACETAL	(NATURAL)
1	ZINC ALLOY	MATTE FINISH NICKEL PLATING			
NO.	MATERIAL	FINISH, REMARKS	NO.	MATERIAL	FINISH, REMARKS

CODE NO. (OLD) CL	DRAWN M.SATO '06 09 28	DESIGNED Y.YAMADA '06 09 28	CHECKED	APPROVED M.SATO '06 09 29	RELEASED
DRAWING NO. EDC3-115053		PART NO. HR25A-7P-6S			
SCALE 5 : 1	UNITS mm		CODE NO. CL125-0611-9-00		1/1

TO
R

X-ON Electronics

Largest Supplier of Electrical and Electronic Components

Click to view similar products for [Circular Push Pull Connectors](#) category:

Click to view products by [Hirose](#) manufacturer:

Other Similar products are found below :

[6407-249V-11273P](#) [6408-201V-13273](#) [6408-202V-13343](#) [6408-202V-17343](#) [EZG.0B.309.CLN](#) [FFA.2S.310.ZLA](#) [FGA.1B.307.CYCD72Z](#)
[FGJ.1B.304.CLLD76](#) [FGJ.1B.306.CWLD72](#) [FGJ.3B.304.CYMD10Z](#) [FGJ.3B.304.CYMD82Z](#) [PCS.01.250.DLLE24](#) [PHG.0K.305.CYMC40Z](#)
[PHG.1K.308.CLLK85](#) [PKG.M0.6BL.LZ](#) [PLC.M1.0SL.LA](#) [GMA.10.290.DN](#) [GMA.3B.090.DA](#) [PRG.M0.6GL.LC52GZ](#) [PSA.1S.275.CTLC66](#)
[ABF.1S.250.NTA](#) [133020F](#) [1331ER193MZ](#) [1332M107MZ](#) [DTS26Z19-32JA-LC](#) [DTS26Z19-32SA](#) [DTS26Z19-32SA-LC](#) [DTS26Z23-55HA](#)
[DTS26Z23-55HA-LC](#) [DTS26Z23-55JA-LC](#) [EAJ.1B.306.CWA](#) [ECG.XB.312.CLL](#) [1589430-2](#) [EEA.0B.305.CLN](#) [EEA.0B.309.CLL](#)
[ELF.00.250.NTL](#) [ERA.01.250.DLL](#) [BRD.0B.200.PCSG](#) [BRR.2S.200.PZVG](#) [HR10A-P](#) [CAH.M34.SLL.C72GZ](#) [CAJ.M34.SLL.C72GZ](#)
[300500](#) [ESB.00.303.NLL](#) [EXG.0B.309.HLN](#) [FFB.1S.250.CLAC27](#) [FGA.2B.306.CYCD92](#) [FGA.2B.306.CYCD92Z](#) [FGA.XB.312.CLAD72](#)
[FGJ.1B.302.CYMD62](#)