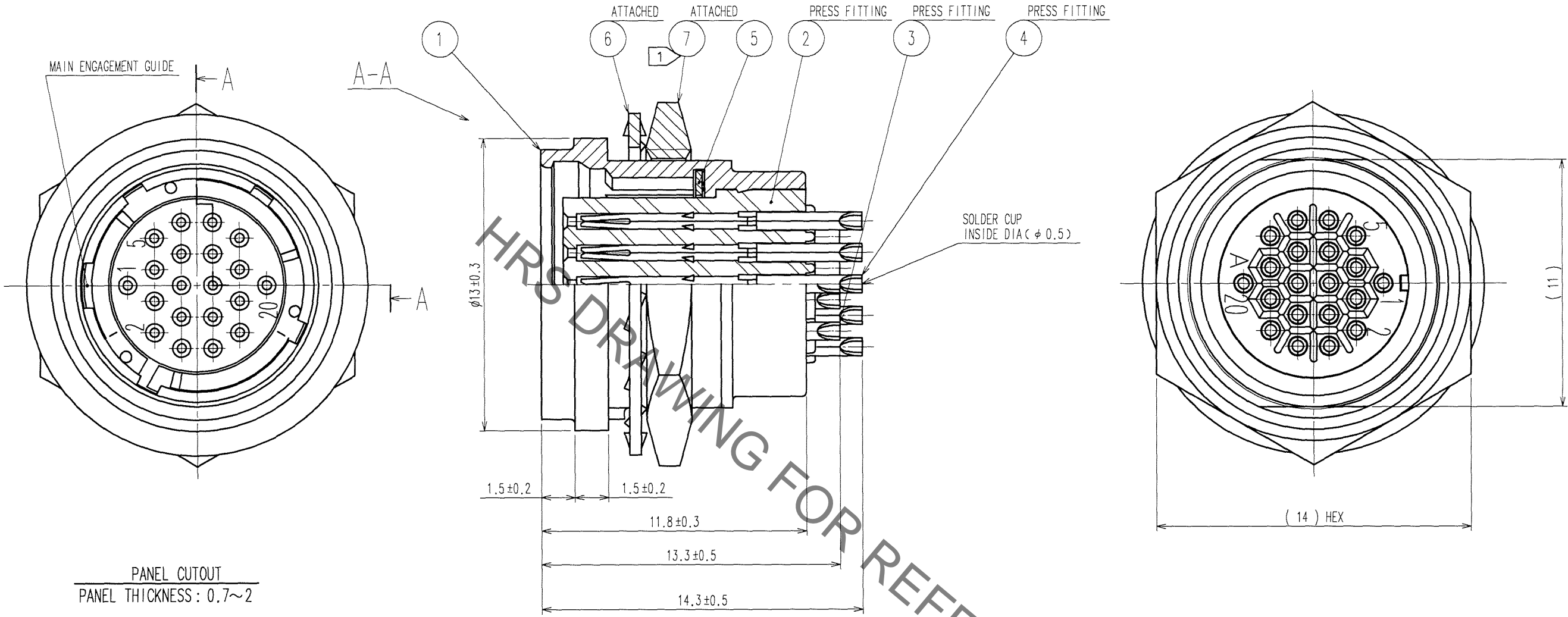
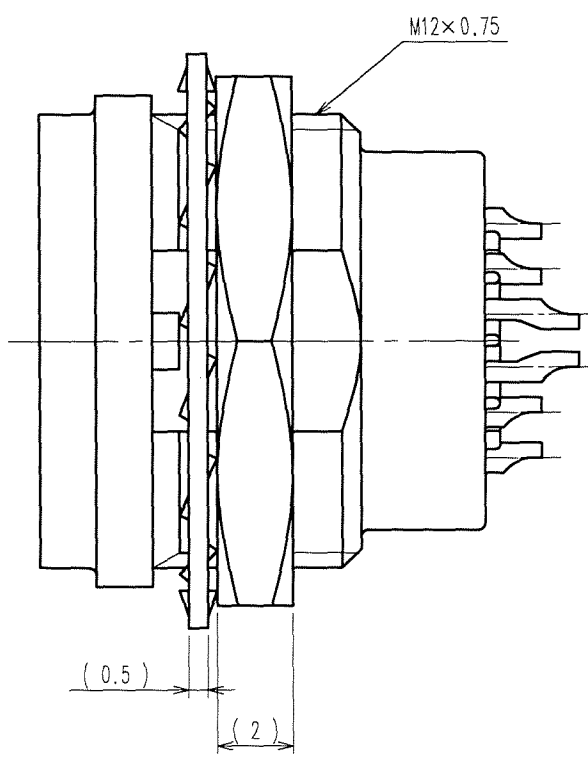
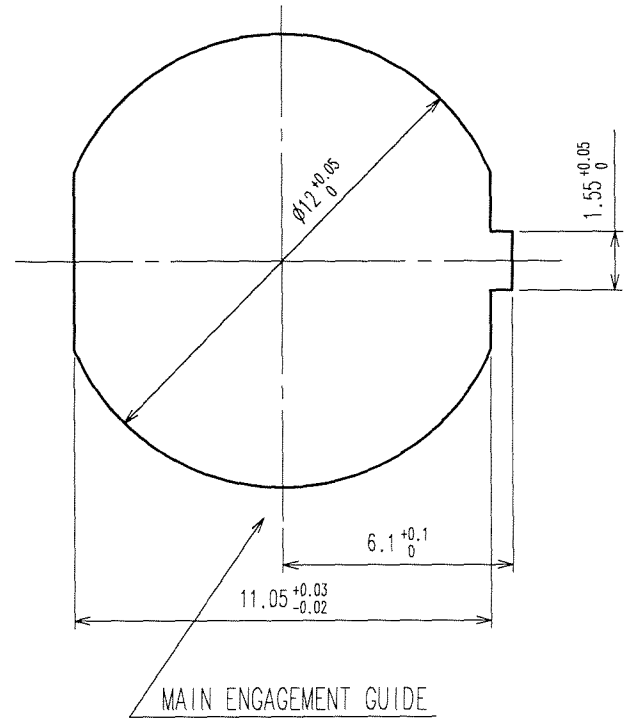


Sep.1.2021 Copyright 2021 HIROSE ELECTRIC CO., LTD. All Rights Reserved.
In case of consideration for using Automotive equipment / device which demand high reliability, kindly contact our sales window correspondents.

COUNT	DESCRIPTION OF REVISIONS	BY	CHKD	DATE	COUNT	DESCRIPTION OF REVISIONS	BY	CHKD	DATE
1	DIS-C-000585	T.K	E.K	07.07.27					



PANEL CUTOUT
PANEL THICKNESS: 0.7~2



NOTES
 ① THE RECOMMENDED TIGHTENING TORQUE OF REF. No. ⑦ TO BE 1.5 N·m.
 COATING WITH LOCTITE 242 MANUFACTURED BY HENKEL JAPAN OR EQUIVALENT IS RECOMMENDED TO PREVENT LOOSENESS.
 ② CONTACT AREA : GOLD 0.2μm min.
 TERMINAL AREA : GOLD FLASH.
 UNDER PLATING : NICKEL 2μm min

NO.	MATERIAL	FINISH, REMARKS	NO.	MATERIAL	FINISH, REMARKS
4	PHOSPHOR BRONZE	②	7	BRASS	NICKEL PLATED
3	PHOSPHOR BRONZE	②	6	STEEL	ZINC CHROMATIZED (TRIVALENT CHROMIUM)
2	PPS	(BLACK) 94V-0	5	BERYLLIUM COPPER	NICKEL PLATED
1	ZINC ALLOY	MATE FINISH NICKEL PLATED			

CODE NO. (OLD) CL	DRAWN Y. YAMADA '05 11 05	DESIGNED Y. YAMADA '05 11 05	CHECKED T. AKIYAMA '05 11 05	APPROVED M. SATO '05 11 05	RELEASED .
----------------------	---------------------------------	------------------------------------	------------------------------------	----------------------------------	---------------

SCALE 5 : 1	DRAWING NO. EDC3-114767	PART NO. HR25A-9R-20S
UNITS mm	HIROSE ELECTRIC CO., LTD	CODE NO. CL125-0601-5

TO
R

1/1

X-ON Electronics

Largest Supplier of Electrical and Electronic Components

Click to view similar products for [Circular Push Pull Connectors](#) category:

Click to view products by [Hirose](#) manufacturer:

Other Similar products are found below :

[6407-249V-11273P](#) [6408-201V-13273](#) [6408-202V-13343](#) [6408-202V-17343](#) [EZG.0B.309.CLN](#) [FFA.2S.310.ZLA](#) [FGA.1B.307.CYCD72Z](#)
[FGJ.1B.304.CLLD76](#) [FGJ.1B.306.CWLD72](#) [FGJ.3B.304.CYMD10Z](#) [FGJ.3B.304.CYMD82Z](#) [PCS.01.250.DLLE24](#) [PHG.0K.305.CYMC40Z](#)
[PHG.1K.308.CLLK85](#) [PKG.M0.6BL.LZ](#) [PLC.M1.0SL.LA](#) [GMA.10.290.DN](#) [GMA.3B.090.DA](#) [PRG.M0.6GL.LC52GZ](#) [PSA.1S.275.CTLC66](#)
[ABF.1S.250.NTA](#) [133020F](#) [1331ER193MZ](#) [1332M107MZ](#) [DTS26Z19-32JA-LC](#) [DTS26Z19-32SA](#) [DTS26Z19-32SA-LC](#) [DTS26Z23-55HA](#)
[DTS26Z23-55HA-LC](#) [DTS26Z23-55JA-LC](#) [EAJ.1B.306.CWA](#) [ECG.XB.312.CLL](#) [1589430-2](#) [EEA.0B.305.CLN](#) [EEA.0B.309.CLL](#)
[ELF.00.250.NTL](#) [ERA.01.250.DLL](#) [BRD.0B.200.PCSG](#) [BRR.2S.200.PZVG](#) [HR10A-P](#) [CAH.M34.SLL.C72GZ](#) [CAJ.M34.SLL.C72GZ](#)
[300500](#) [ESB.00.303.NLL](#) [EXG.0B.309.HLN](#) [FFB.1S.250.CLAC27](#) [FGA.2B.306.CYCD92](#) [FGA.2B.306.CYCD92Z](#) [FGA.XB.312.CLAD72](#)
[FGJ.1B.302.CYMD62](#)