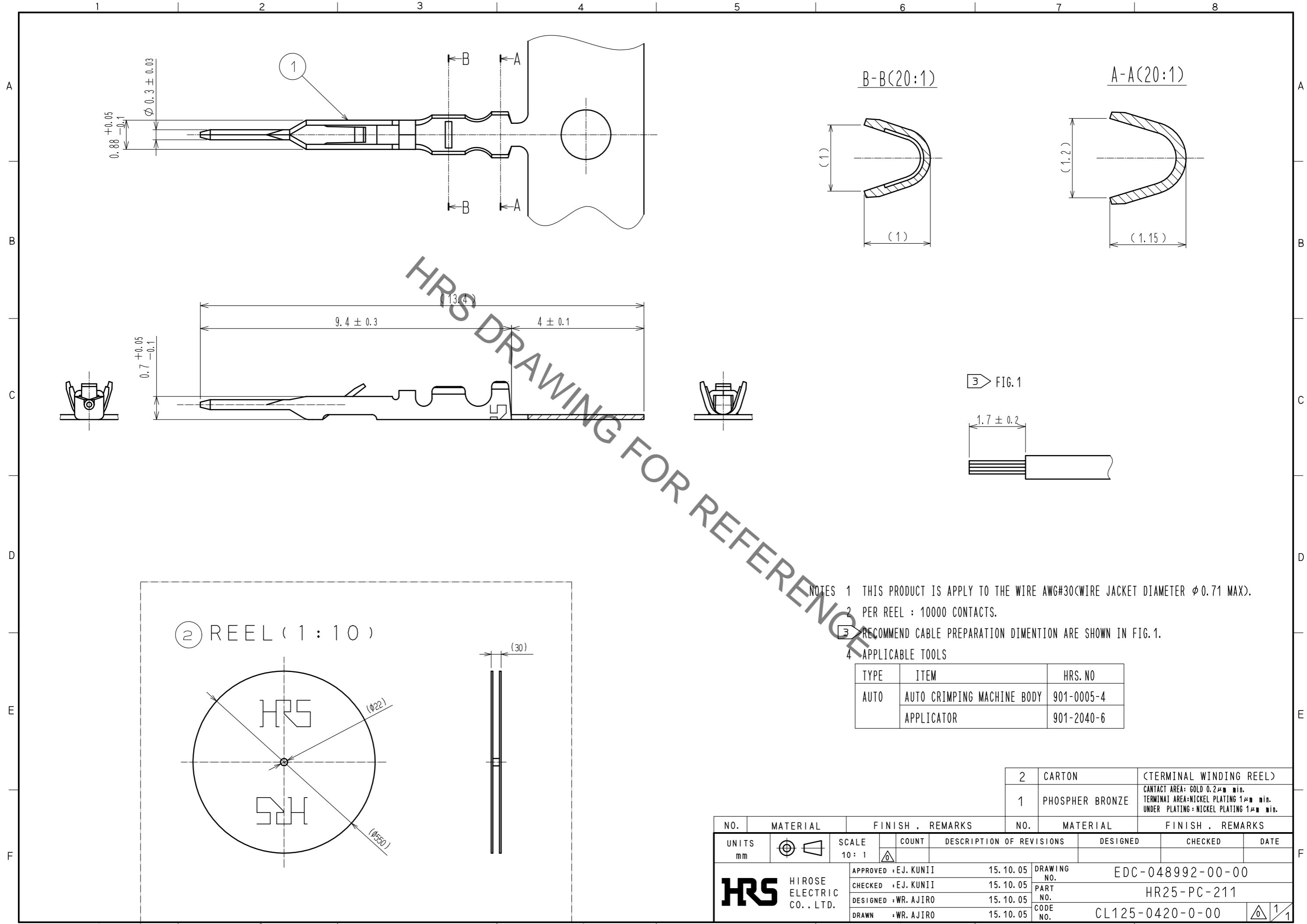


Sep.1.2021 Copyright 2021 HIROSE ELECTRIC CO., LTD. All Rights Reserved.  
In case of consideration for using Automotive equipment / device which demand high reliability, kindly contact our sales window correspondents.



- NOTES
- 1 THIS PRODUCT IS APPLY TO THE WIRE AWG#30(WIRE JACKET DIAMETER φ 0.71 MAX).
  - 2 PER REEL : 10000 CONTACTS.
  - 3 RECOMMEND CABLE PREPARATION DIMENTION ARE SHOWN IN FIG.1.
  - 4 APPLICABLE TOOLS

TYPE	ITEM	HRS. NO
AUTO	AUTO CRIMPING MACHINE BODY	901-0005-4
	APPLICATOR	901-2040-6

2	CARTON	(TERMINAL WINDING REEL)
1	PHOSPER BRONZE	CONTACT AREA: GOLD 0.2μm min. TERMINAL AREA: NICKEL PLATING 1μm min. UNDER PLATING: NICKEL PLATING 1μm min.

NO.	MATERIAL	FINISH . REMARKS	NO.	MATERIAL	FINISH . REMARKS
UNITS mm		SCALE 10 : 1	COUNT 	DESCRIPTION OF REVISIONS	
<b>HRS</b> HIROSE ELECTRIC CO., LTD.		APPROVED : EJ. KUNII	15.10.05	DRAWING NO. EDC-048992-00-00	
		CHECKED : EJ. KUNII	15.10.05	PART NO. HR25-PC-211	
		DESIGNED : WR. AJIRO	15.10.05	CODE NO. CL125-0420-0-00	
		DRAWN : WR. AJIRO	15.10.05	1/1	

## X-ON Electronics

Largest Supplier of Electrical and Electronic Components

*Click to view similar products for [Circular Push Pull Connectors](#) category:*

*Click to view products by [Hirose](#) manufacturer:*

Other Similar products are found below :

[6407-249V-11273P](#) [6408-201V-13273](#) [6408-202V-13343](#) [6408-202V-17343](#) [EZG.0B.309.CLN](#) [FFA.2S.310.ZLA](#) [FGA.1B.307.CYCD72Z](#)  
[FGJ.1B.304.CLLD76](#) [FGJ.1B.306.CWLD72](#) [FGJ.2B.302.CYMD82Z](#) [FGJ.2B.310.CYMD72Z](#) [FGJ.3B.304.CYMD10Z](#)  
[FGJ.3B.304.CYMD82Z](#) [FHJ.2B.310.CLLD72](#) [PCS.01.250.DLLE24](#) [PHG.0K.305.CYMC40Z](#) [PHG.1K.308.CLLK85](#) [PKG.M0.6BL.LZ](#)  
[PLC.M1.0SL.LA](#) [GMA.10.290.DN](#) [GMA.3B.090.DA](#) [PRG.M0.6GL.LC52GZ](#) [PSA.1S.275.CTLC66](#) [ABF.1S.250.NTA](#) [133020F](#)  
[1331ER193MZ](#) [1332M107MZ](#) [DTS26Z19-32JA-LC](#) [DTS26Z19-32SA](#) [DTS26Z19-32SA-LC](#) [DTS26Z23-55HA](#) [DTS26Z23-55HA-LC](#)  
[DTS26Z23-55JA-LC](#) [EAJ.1B.306.CWA](#) [ECG.XB.312.CLL](#) [1589430-2](#) [EEA.0B.305.CLN](#) [EEA.0B.309.CLL](#) [ELF.00.250.NTL](#)  
[ERA.01.250.DLL](#) [BRD.0B.200.PCSG](#) [BRR.2S.200.PZVG](#) [HR10A-P](#) [CAH.M34.SLL.C72GZ](#) [CAJ.M34.SLL.C72GZ](#) [300500](#)  
[ESB.00.303.NLL](#) [EXG.0B.309.HLN](#) [FFB.1S.250.CLAC27](#) [FFG.1B.306.CLAZ](#)