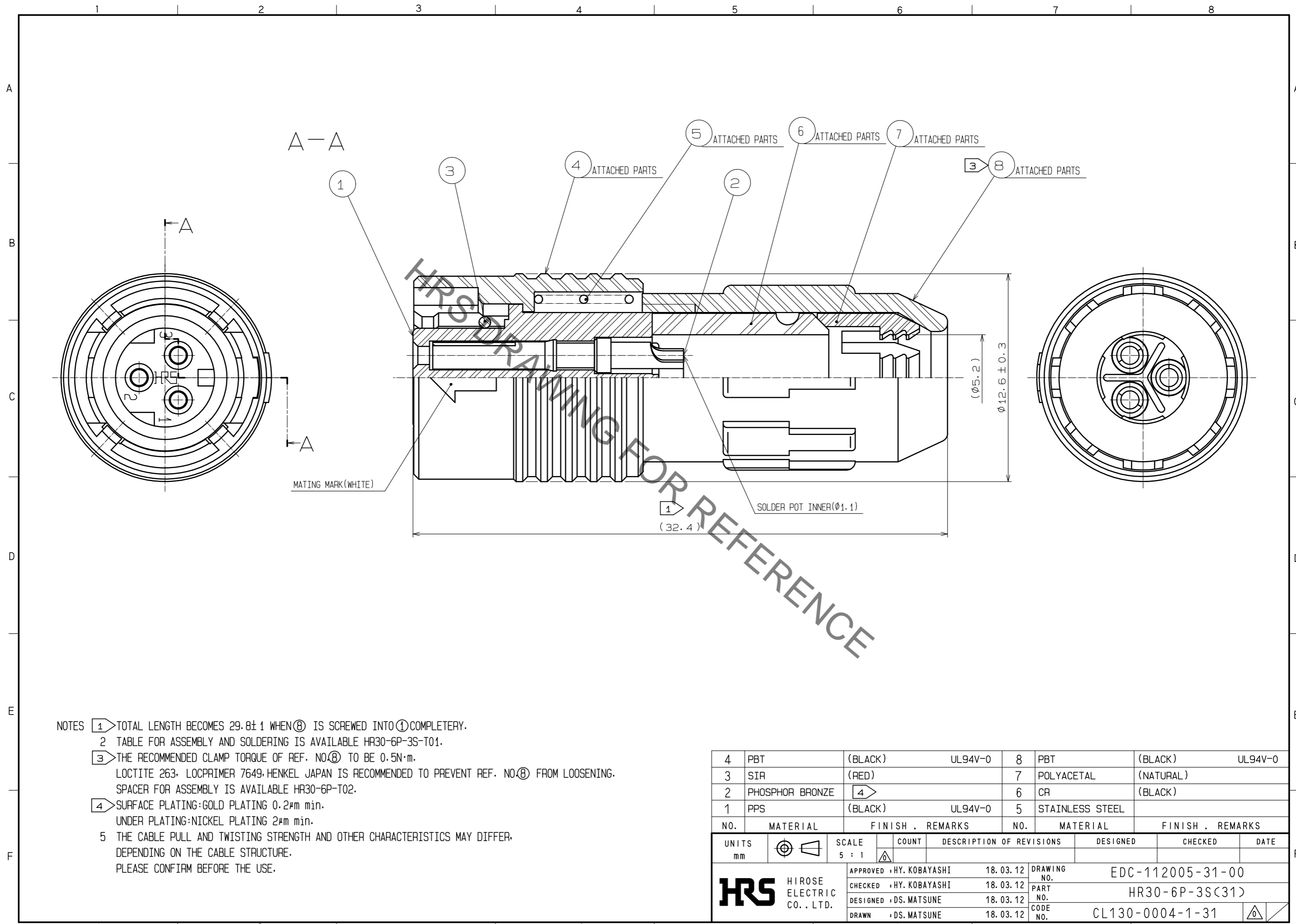


Sep.1.2021 Copyright 2021 HIROSE ELECTRIC CO., LTD. All Rights Reserved.  
 In case of consideration for using Automotive equipment / device which demand high reliability, kindly contact our sales window correspondents.



- NOTES
- ① TOTAL LENGTH BECOMES 29.8 ± 1 WHEN ⑧ IS SCREWED INTO ① COMPLETELY.
  - ② TABLE FOR ASSEMBLY AND SOLDERING IS AVAILABLE HR30-6P-3S-T01.
  - ③ THE RECOMMENDED CLAMP TORQUE OF REF. NO.⑧ TO BE 0.5N·m.  
 LOCTITE 263, LOCPRIMER 7649, HENKEL JAPAN IS RECOMMENDED TO PREVENT REF. NO.⑧ FROM LOOSENING.  
 SPACER FOR ASSEMBLY IS AVAILABLE HR30-6P-T02.
  - ④ SURFACE PLATING: GOLD PLATING 0.2μm min.  
 UNDER PLATING: NICKEL PLATING 2μm min.
  - ⑤ THE CABLE PULL AND TWISTING STRENGTH AND OTHER CHARACTERISTICS MAY DIFFER,  
 DEPENDING ON THE CABLE STRUCTURE.  
 PLEASE CONFIRM BEFORE THE USE.

4	PBT	(BLACK)	UL94V-0	8	PBT	(BLACK)	UL94V-0
3	SIR	(RED)		7	POLYACETAL	(NATURAL)	
2	PHOSPHOR BRONZE	④		6	CR	(BLACK)	
1	PPS	(BLACK)	UL94V-0	5	STAINLESS STEEL		
NO.	MATERIAL	FINISH	REMARKS	NO.	MATERIAL	FINISH	REMARKS
UNITS mm		SCALE 5 : 1		COUNT		DESCRIPTION OF REVISIONS	
DESIGNED		CHECKED		DATE			
APPROVED : HY. KOBAYASHI 18.03.12				DRAWING NO. EDC-112005-31-00			
CHECKED : HY. KOBAYASHI 18.03.12				PART NO. HR30-6P-3S(31)			
DESIGNED : DS. MATSUNE 18.03.12				CODE NO. CL130-0004-1-31			
DRAWN : DS. MATSUNE 18.03.12							

## X-ON Electronics

Largest Supplier of Electrical and Electronic Components

*Click to view similar products for [Circular Push Pull Connectors](#) category:*

*Click to view products by [Hirose](#) manufacturer:*

Other Similar products are found below :

[6407-249V-11273P](#) [6408-201V-13273](#) [6408-202V-13343](#) [6408-202V-17343](#) [EZG.0B.309.CLN](#) [FFA.2S.310.ZLA](#) [FGA.1B.307.CYCD72Z](#)  
[FGJ.1B.304.CLLD76](#) [FGJ.1B.306.CWLD72](#) [FGJ.3B.304.CYMD10Z](#) [FGJ.3B.304.CYMD82Z](#) [PCS.01.250.DLLE24](#) [PHG.0K.305.CYMC40Z](#)  
[PHG.1K.308.CLLK85](#) [PKG.M0.6BL.LZ](#) [PLC.M1.0SL.LA](#) [GMA.10.290.DN](#) [GMA.3B.090.DA](#) [PRG.M0.6GL.LC52GZ](#) [PSA.1S.275.CTLC66](#)  
[ABF.1S.250.NTA](#) [133020F](#) [1331ER193MZ](#) [1332M107MZ](#) [DTS26Z19-32JA-LC](#) [DTS26Z19-32SA](#) [DTS26Z19-32SA-LC](#) [DTS26Z23-55HA](#)  
[DTS26Z23-55HA-LC](#) [DTS26Z23-55JA-LC](#) [EAJ.1B.306.CWA](#) [ECG.XB.312.CLL](#) [1589430-2](#) [EEA.0B.305.CLN](#) [EEA.0B.309.CLL](#)  
[ELF.00.250.NTL](#) [ERA.01.250.DLL](#) [BRD.0B.200.PCSG](#) [BRR.2S.200.PZVG](#) [HR10A-P](#) [CAH.M34.SLL.C72GZ](#) [CAJ.M34.SLL.C72GZ](#)  
[300500](#) [ESB.00.303.NLL](#) [EXG.0B.309.HLN](#) [FFB.1S.250.CLAC27](#) [FGA.2B.306.CYCD92](#) [FGA.2B.306.CYCD92Z](#) [FGA.XB.312.CLAD72](#)  
[FGJ.1B.302.CYMD62](#)