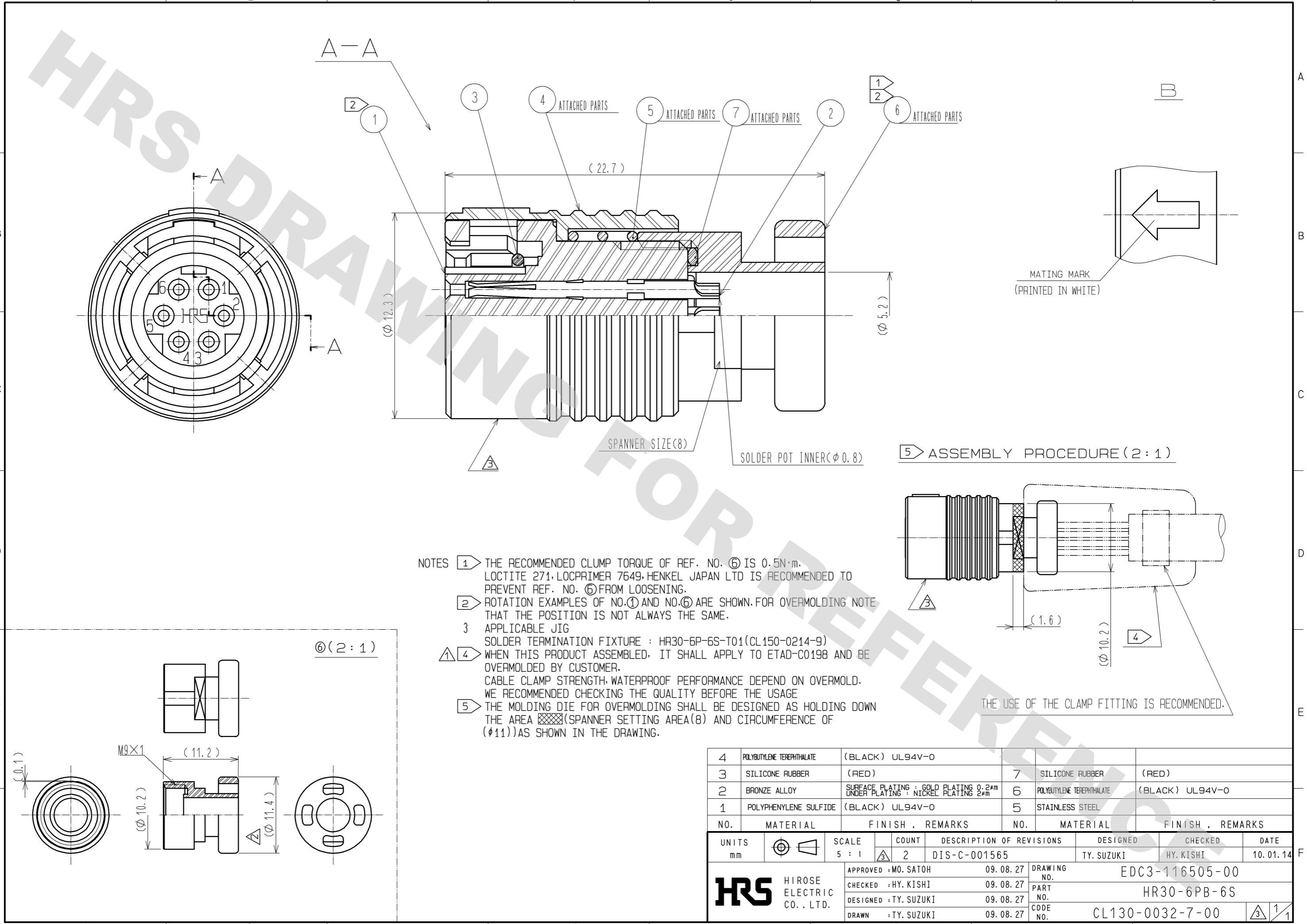
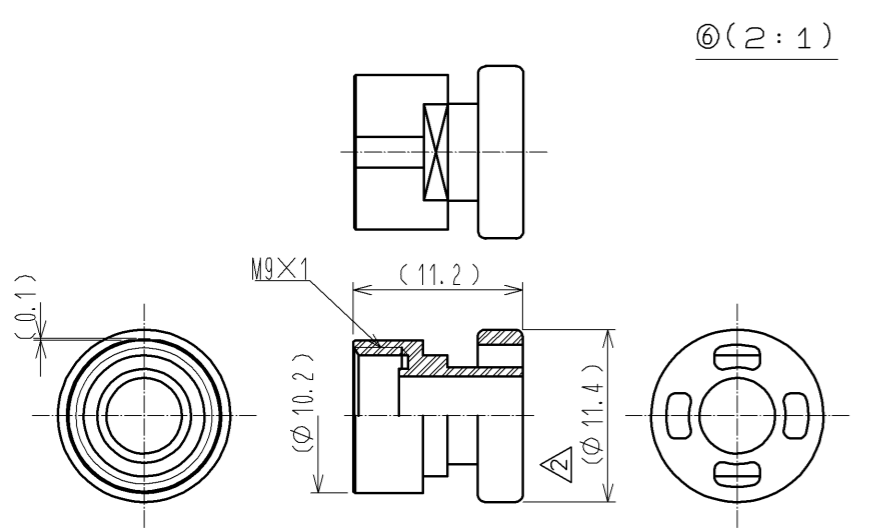


DRAWING FOR REFERENCE: This is subject to change without notice  
08/11/2012



- NOTES
- ① THE RECOMMENDED CLAMP TORQUE OF REF. NO. ⑥ IS 0.5N·m. LOCTITE 271, LOCPRIMER 7649, HENKEL JAPAN LTD IS RECOMMENDED TO PREVENT REF. NO. ⑥ FROM LOOSENING.
  - ② ROTATION EXAMPLES OF NO.① AND NO.⑥ ARE SHOWN. FOR OVERMOLDING NOTE THAT THE POSITION IS NOT ALWAYS THE SAME.
  - ③ APPLICABLE JIG
  - ④ SOLDER TERMINATION FIXTURE : HR30-6P-6S-T01(CL150-0214-9)  
WHEN THIS PRODUCT ASSEMBLED, IT SHALL APPLY TO ETAD-C0198 AND BE OVERMOLDED BY CUSTOMER.  
CABLE CLAMP STRENGTH, WATERPROOF PERFORMANCE DEPEND ON OVERMOLD. WE RECOMMENDED CHECKING THE QUALITY BEFORE THE USAGE
  - ⑤ THE MOLDING DIE FOR OVERMOLDING SHALL BE DESIGNED AS HOLDING DOWN THE AREA (SPANNER SETTING AREA(8)) AND CIRCUMFERENCE OF (φ11)) AS SHOWN IN THE DRAWING.



4	POLYBUTYLENE TEREPHTHALATE	(BLACK) UL94V-0	7	SILICONE RUBBER	(RED)
3	SILICONE RUBBER	(RED)	6	POLYBUTYLENE TEREPHTHALATE	(BLACK) UL94V-0
2	BRONZE ALLOY	SURFACE PLATING : GOLD PLATING 0.2μm UNDER PLATING : NICKEL PLATING 2μm	5	STAINLESS STEEL	
1	POLYPHENYLENE SULFIDE	(BLACK) UL94V-0			
NO.	MATERIAL	FINISH . REMARKS	NO.	MATERIAL	FINISH . REMARKS
UNITS		SCALE	COUNT	DESCRIPTION OF REVISIONS	
mm		5 : 1	2	DIS-C-001565	
DESIGNED		APPROVED	DATE	DRAWING NO.	
TY. SUZUKI		MO. SATOH	09.08.27	EDC3-116505-00	
CHECKED		CHECKED	DATE	PART NO.	
HY. KISHI		HY. KISHI	09.08.27	HR30-6PB-6S	
DESIGNED		DESIGNED	DATE	CODE NO.	
TY. SUZUKI		TY. SUZUKI	09.08.27	CL130-0032-7-00	
DRAWN		DRAWN	DATE	REVISION	
				③ 1/1	

## X-ON Electronics

Largest Supplier of Electrical and Electronic Components

*Click to view similar products for [Circular Push Pull Connectors](#) category:*

*Click to view products by [Hirose](#) manufacturer:*

Other Similar products are found below :

[6407-249V-11273P](#) [6408-201V-13273](#) [6408-202V-13343](#) [6408-202V-17343](#) [EZG.0B.309.CLN](#) [FFA.2S.310.ZLA](#) [FGA.1B.307.CYCD72Z](#)  
[FGJ.1B.304.CLLD76](#) [FGJ.1B.306.CWLD72](#) [FGJ.3B.304.CYMD10Z](#) [FGJ.3B.304.CYMD82Z](#) [PCS.01.250.DLLE24](#) [PHG.0K.305.CYMC40Z](#)  
[PHG.1K.308.CLLK85](#) [PKG.M0.6BL.LZ](#) [PLC.M1.0SL.LA](#) [GMA.10.290.DN](#) [GMA.3B.090.DA](#) [PRG.M0.6GL.LC52GZ](#) [PSA.1S.275.CTLC66](#)  
[ABF.1S.250.NTA](#) [133020F](#) [1331ER193MZ](#) [1332M107MZ](#) [DTS26Z19-32JA-LC](#) [DTS26Z19-32SA](#) [DTS26Z19-32SA-LC](#) [DTS26Z23-55HA](#)  
[DTS26Z23-55HA-LC](#) [DTS26Z23-55JA-LC](#) [EAJ.1B.306.CWA](#) [ECG.XB.312.CLL](#) [1589430-2](#) [EEA.0B.305.CLN](#) [EEA.0B.309.CLL](#)  
[ELF.00.250.NTL](#) [ERA.01.250.DLL](#) [BRD.0B.200.PCSG](#) [BRR.2S.200.PZVG](#) [HR10A-P](#) [CAH.M34.SLL.C72GZ](#) [CAJ.M34.SLL.C72GZ](#)  
[300500](#) [ESB.00.303.NLL](#) [EXG.0B.309.HLN](#) [FFB.1S.250.CLAC27](#) [FGA.2B.306.CYCD92](#) [FGA.2B.306.CYCD92Z](#) [FGA.XB.312.CLAD72](#)  
[FGJ.1B.302.CYMD62](#)