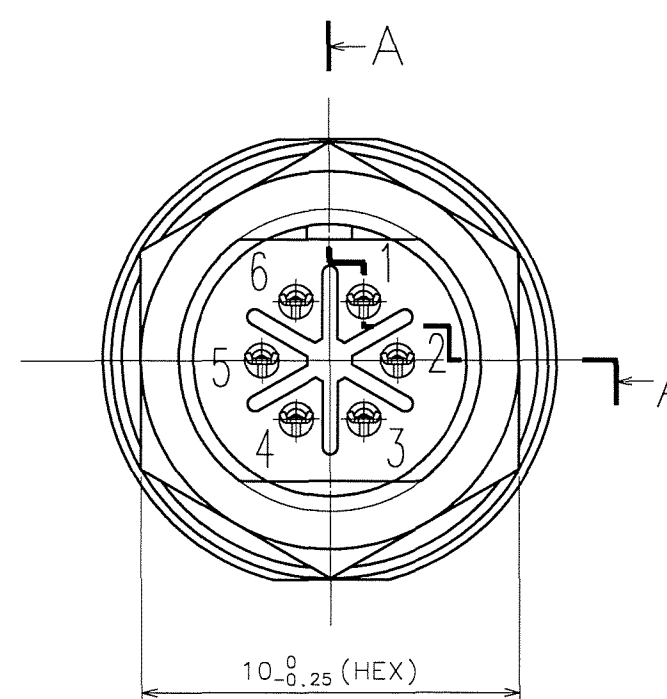
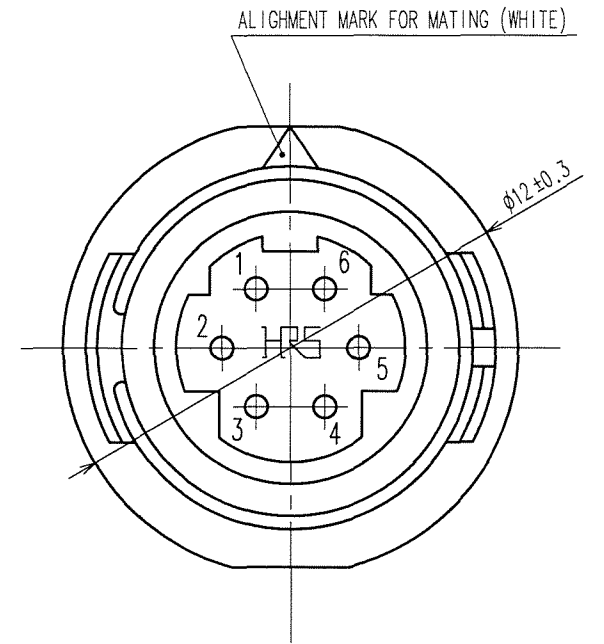
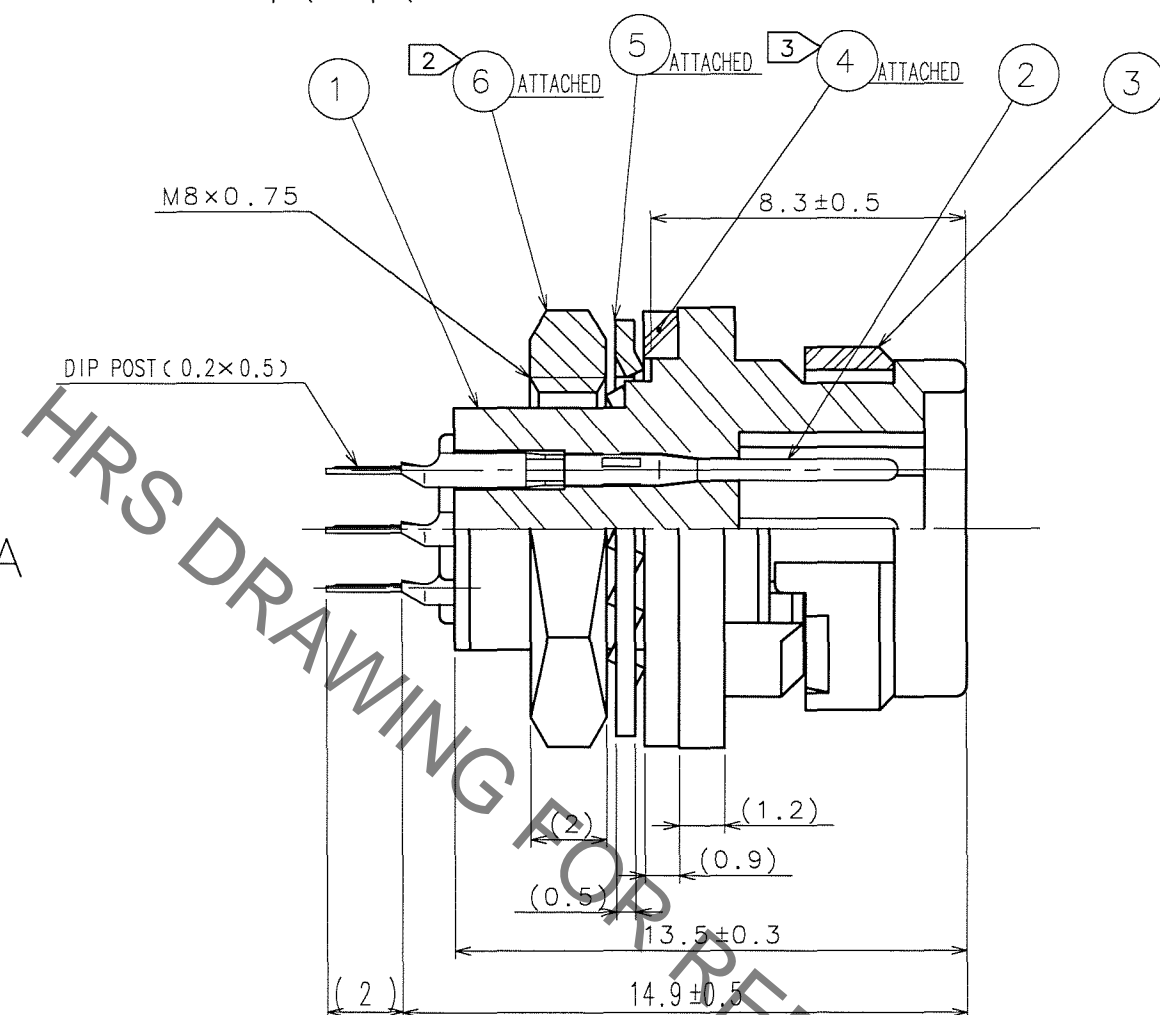
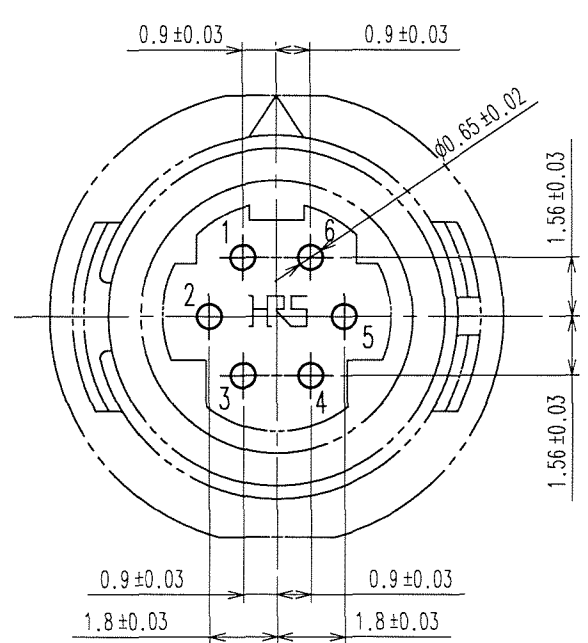


Aug.1.2021 Copyright 2021 HIROSE ELECTRIC CO., LTD. All Rights Reserved.
In case of consideration for using Automotive equipment / device which demand high reliability, kindly contact our sales window correspondents.

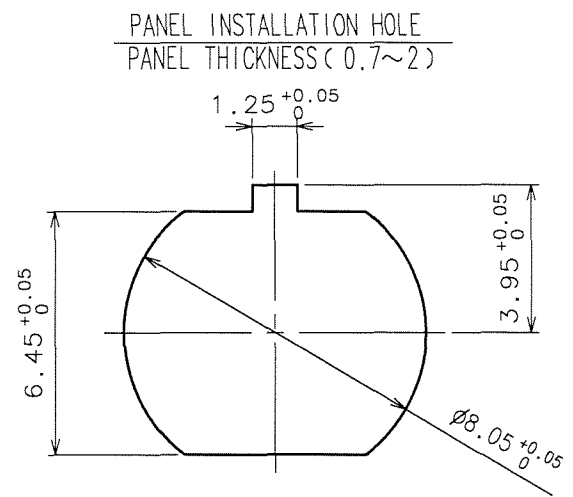
COUNT	DESCRIPTION OF REVISIONS	BY	CHKD	DATE	COUNT	DESCRIPTION OF REVISIONS	BY	CHKD	DATE
1	DIS-C-000585	T.K	E.K	07.07.27					



DIP POST LOCATION DIMENSIONS IN THE VIEW FROM CONNECTOR OPENING SIDE
(RECOMMENDED MAXIMUM PANEL THICKNESS : 1.2)



HRS DRAWING FOR REFERENCE



- NOTES
- FINISH OF REF.NO. ②
CONTACT AREA : GOLD 0.2μm min.
DIP AREA : GOLD FLASH.
UNDER PLATING: NICKEL 2μm min.
 - RECOMMENDED TIGHTENING TORQUE OF REF.NO. ⑥ : 0.5 N·m.
LOOSENED NUT MAY CAUSE THE DETERIORATION OF WATER-RESISTANCY.
THE USE OF LOOSENING-PREVENTIVE ADHESIVE IS STRONGLY RECOMMENDED.
RECOMMENDED THREAD LOCKER : LOCTITE 271, LOCKPRIMER 7649, HENKEL JAPAN LTD.
 - AFTER REF.NO. ④ IS INSERTED TO REF.NO. ①,
REF.NO. ① IS MOUNTED ON THE PANEL.
MAKE SURE THAT REF.NO. ④ DOES NOT HAVE ANY FACTORS TO REDUCE WATER-RESISTANCY,
SUCH AS SCRATCH, TWIST, PINCHING, OR DUST.

NO.	MATERIAL	FINISH, REMARKS	NO.	MATERIAL	FINISH, REMARKS
3	PPS	(BLACK) UL94V-0	6	BRASS	NICKEL PLATING
2	COPPER ALLOY	①	5	PHOSPHOR BRONZE	NICKEL PLATING
1	PPS	(BLACK) UL94V-0	4	CR	(BLACK)

CODE NO. (OLD) CL	DRAWN E.KUNII	DESIGNED E.KUNII	CHECKED .	APPROVED M.SATO	RELEASED .
	'05 10 14	'05 10 14		'05 10 17	

SCALE 5 : 1	DRAWING NO. EDC3-113558-71	PART NO. HR30-6R-6PD(71)
UNITS mm	HRS HIROSE ELECTRIC CO., LTD	CODE NO. CL130-1020-3-71

TO
R

X-ON Electronics

Largest Supplier of Electrical and Electronic Components

Click to view similar products for [Circular Push Pull Connectors](#) category:

Click to view products by [Hirose](#) manufacturer:

Other Similar products are found below :

[6407-249V-11273P](#) [6408-201V-13273](#) [6408-202V-13343](#) [6408-202V-17343](#) [EZG.0B.309.CLN](#) [FFA.2S.310.ZLA](#) [FGA.1B.307.CYCD72Z](#)
[FGJ.1B.304.CLLD76](#) [FGJ.1B.306.CWLD72](#) [FGJ.3B.304.CYMD10Z](#) [FGJ.3B.304.CYMD82Z](#) [FHG.1B.303.CYCZ](#) [PCS.01.250.DLLE24](#)
[PHG.0K.305.CYMC40Z](#) [PHG.1K.308.CLLK85](#) [PKG.M0.6BL.LZ](#) [PLC.M1.0SL.LA](#) [GMA.10.290.DN](#) [GMA.3B.090.DA](#)
[PRG.M0.6GL.LC52GZ](#) [PSA.1S.275.CTLC66](#) [ABF.1S.250.NTA](#) [133020F](#) [1331ER193MZ](#) [1332M107MZ](#) [DTS26Z19-32JA-LC](#) [DTS26Z19-](#)
[32SA](#) [DTS26Z19-32SA-LC](#) [DTS26Z23-55HA](#) [DTS26Z23-55HA-LC](#) [EAJ.1B.306.CWA](#) [ECG.XB.312.CLL](#) [1589430-2](#) [EEA.0B.305.CLN](#)
[EEA.0B.309.CLL](#) [ELF.00.250.NTL](#) [ERA.01.250.DLL](#) [BRR.2S.200.PZVG](#) [HR10A-P](#) [CAH.M34.SLL.C72GZ](#) [CAJ.M34.SLL.C72GZ](#) [300500](#)
[ESB.00.303.NLL](#) [EXG.0B.309.HLN](#) [FFB.1S.250.CLAC27](#) [FGA.2B.306.CYCD92](#) [FGA.2B.306.CYCD92Z](#) [FGA.XB.312.CLAD72](#)
[FGJ.1B.302.CYMD62](#) [FGJ.3B.308.CLLD72Z](#)