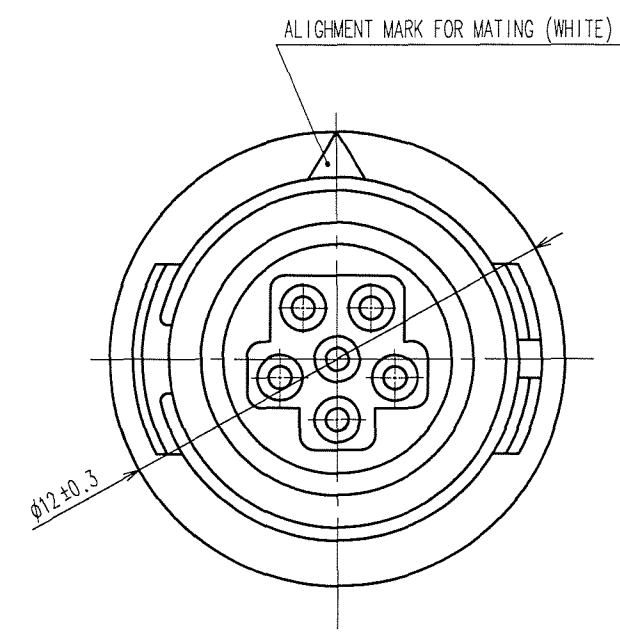
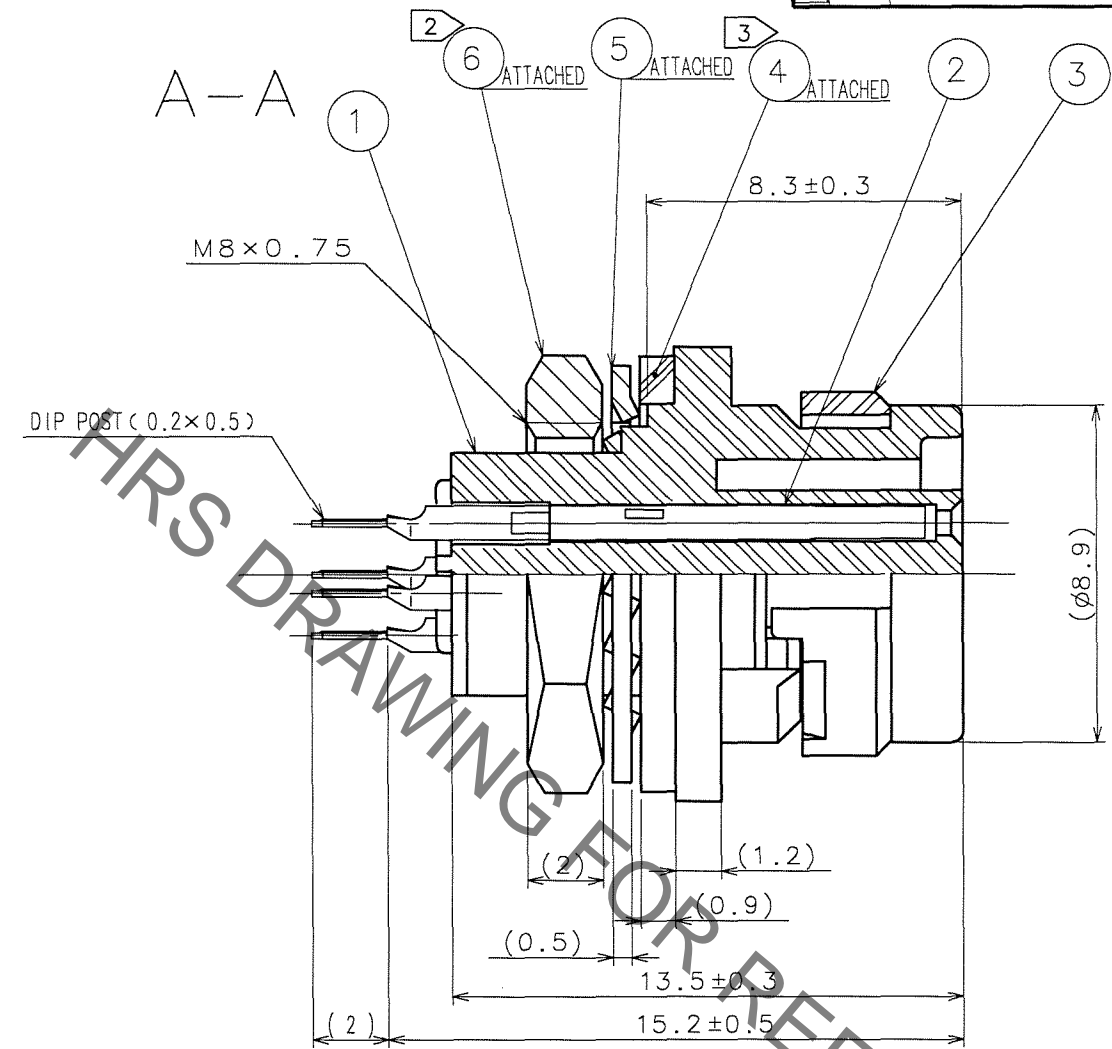
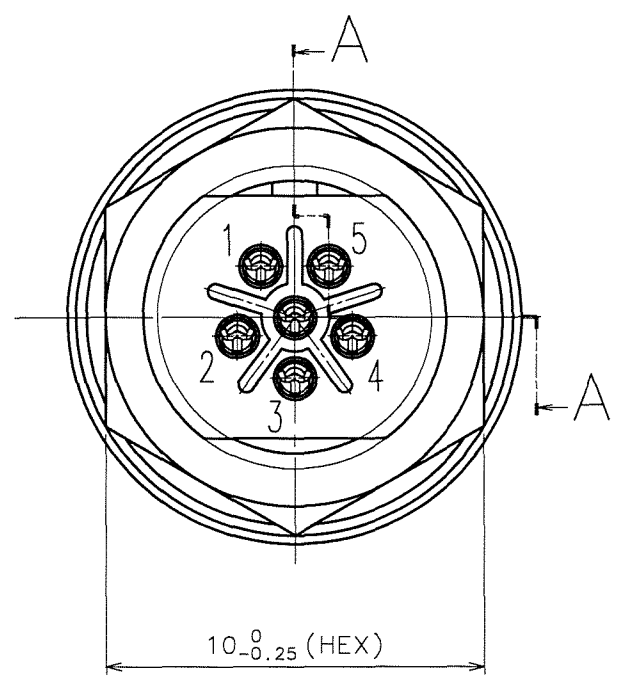
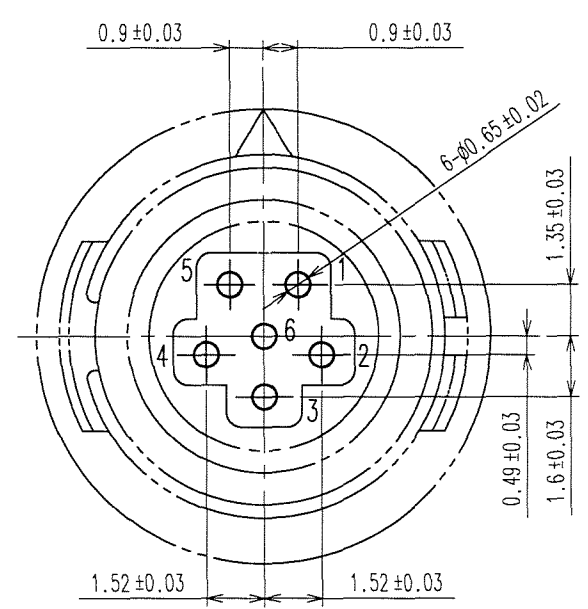


Aug.1.2021 Copyright 2021 HIROSE ELECTRIC CO., LTD. All Rights Reserved.
 In case of consideration for using Automotive equipment / device which demand high reliability, kindly contact our sales window correspondents.

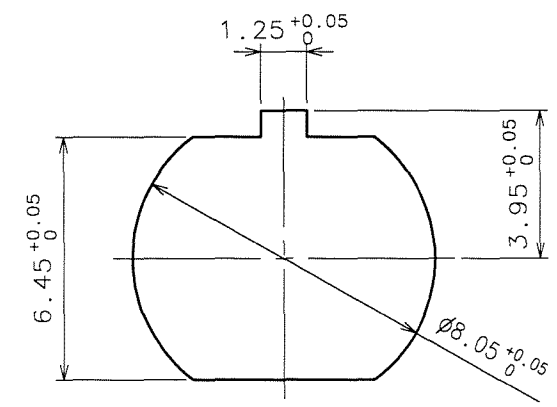
COUNT	DESCRIPTION OF REVISIONS	BY	CHKD	DATE	COUNT	DESCRIPTION OF REVISIONS	BY	CHKD	DATE
1	DIS-C-000585	T.K	E.K	07.07.21					



DIP POST LOCATION DIMENSIONS IN THE VIEW FROM CONNECTOR OPENING SIDE
 (RECOMMENDED MAXIMUM PANEL THICKNESS : 1.2)



PANEL INSTALLATION HOLE
 PANEL THICKNESS (0.7~2)



- NOTES
- ① FINISH OF REF.NO.②
 CONTACT AREA : GOLD 0.2μ m min.
 DIP AREA : GOLD FLASH.
 UNDER-PLATING: NICKEL 2μ m min.
 - ② RECOMMENDED TIGHTENING TORQUE OF REF.NO.⑥ : 0.5 N·m.
 LOOSENED NUT MAY CAUSE THE DETERIORATION OF WATER-RESISTANCY.
 THE USE OF LOOSENING-PREVENTIVE ADHESIVE IS STRONGLY RECOMMENDED.
 RECOMMENDED THREAD LOCKER : LOCTITE 271 LOCKPRIMER 7649, HENKEL JAPAN LTD.
 - ③ AFTER REF.NO.④ IS INSERTED TO REF.NO.① ,
 REF.NO.① IS MOUNTED ON THE PANEL.
 MAKE SURE THAT REF.NO.④ DOES NOT HAVE ANY FACTORS TO REDUCE WATER-RESISTANCY,
 SUCH AS SCRATCH, TWIST, PINCHING, OR DUST.

3	PPS	(BLACK) UL94V-0	6	BRASS	NICKEL PLATING
2	COPPER ALLOY	①	5	PHOSPHOR BRONZE	NICKEL PLATING
1	PPS	(BLACK) UL94V-0	4	CR	(BLACK)
NO.	MATERIAL	FINISH, REMARKS	NO.	MATERIAL	FINISH, REMARKS

CODE NO. (OLD)	DRAWN	DESIGNED	CHECKED	APPROVED	RELEASED
CL	E.KUNII	E.KUNII		M.SATO	
	'05 10 14	'05 10 14		'05 10 17	

SCALE	DRAWING NO.	PART NO.
5 : 1	EDC3-113559-71	HR30-6R-6SD(71)
UNITS	HIROSE ELECTRIC CO., LTD	CODE NO.
mm		CL130-1021-6-71

TO
R

X-ON Electronics

Largest Supplier of Electrical and Electronic Components

Click to view similar products for [Circular Push Pull Connectors](#) category:

Click to view products by [Hirose](#) manufacturer:

Other Similar products are found below :

[6407-249V-11273P](#) [6408-201V-13273](#) [6408-202V-13343](#) [6408-202V-17343](#) [EZG.0B.309.CLN](#) [FFA.2S.310.ZLA](#) [FGA.1B.307.CYCD72Z](#)
[FGJ.1B.304.CLLD76](#) [FGJ.1B.306.CWLD72](#) [FGJ.3B.304.CYMD10Z](#) [FGJ.3B.304.CYMD82Z](#) [PCS.01.250.DLLE24](#) [PHG.0K.305.CYMC40Z](#)
[PHG.1K.308.CLLK85](#) [PKG.M0.6BL.LZ](#) [PLC.M1.0SL.LA](#) [GMA.10.290.DN](#) [GMA.3B.090.DA](#) [PRG.M0.6GL.LC52GZ](#) [PSA.1S.275.CTLC66](#)
[ABF.1S.250.NTA](#) [133020F](#) [1331ER193MZ](#) [1332M107MZ](#) [DTS26Z19-32JA-LC](#) [DTS26Z19-32SA](#) [DTS26Z19-32SA-LC](#) [DTS26Z23-55HA](#)
[DTS26Z23-55HA-LC](#) [DTS26Z23-55JA-LC](#) [EAJ.1B.306.CWA](#) [ECG.XB.312.CLL](#) [1589430-2](#) [EEA.0B.305.CLN](#) [EEA.0B.309.CLL](#)
[ELF.00.250.NTL](#) [ERA.01.250.DLL](#) [BRD.0B.200.PCSG](#) [BRR.2S.200.PZVG](#) [HR10A-P](#) [CAH.M34.SLL.C72GZ](#) [CAJ.M34.SLL.C72GZ](#)
[300500](#) [ESB.00.303.NLL](#) [EXG.0B.309.HLN](#) [FFB.1S.250.CLAC27](#) [FGA.2B.306.CYCD92](#) [FGA.2B.306.CYCD92Z](#) [FGA.XB.312.CLAD72](#)
[FGJ.1B.302.CYMD62](#)