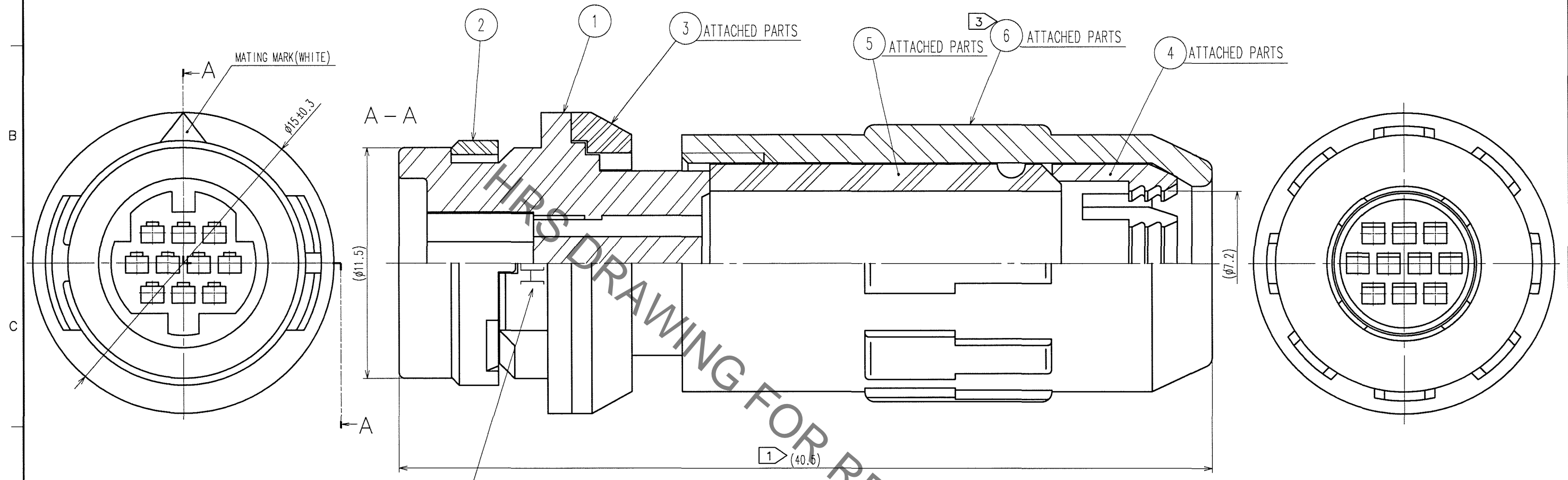


Aug.1.2021 Copyright 2021 HIROSE ELECTRIC CO., LTD. All Rights Reserved.  
In case of consideration for using Automotive equipment / device which demand high reliability, kindly contact our sales window correspondents.

COUNT	DESCRIPTION OF REVISIONS	BY	CHKD	DATE	COUNT	DESCRIPTION OF REVISIONS	BY	CHKD	DATE
1	DIS-C-000490	T.H	E.K	07.01.31					

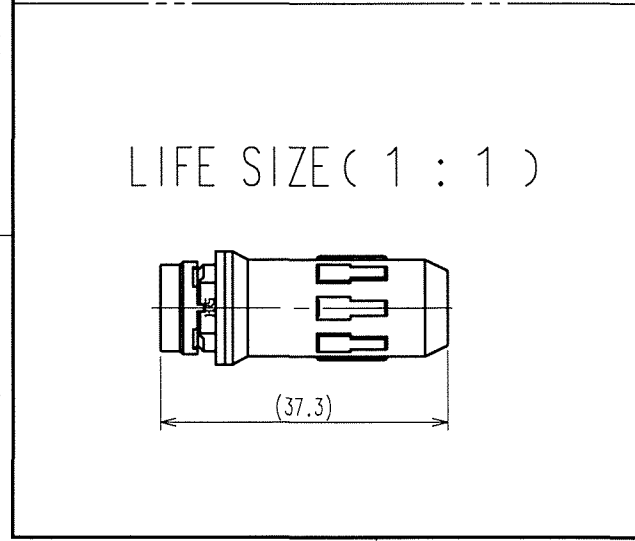


- NOTES
- ① TOTAL LENGTH BECOMES 37.3±1 WHEN ⑥ IS SCREWED INTO ① COMPLETELY.
  - ② APPLICABLE CRIMPING CONTACT: HR30-PC-211  
(APPLICABLE WIRE: AWG#26~30 WIRE JACKET DIAMETER: φ1 MAX)  
APPLICABLE CRIMP CONTACT EXTRACTION TOOL: HR30-TP
  - ③ THE RECOMMENDED CLUMP TORQUE OF REF. NO. ⑥ TO BE 0.5N·m.  
LOCTITE 271, LOCPRIMER 7649, HENKEL JAPAN IS RECOMMENDED TO PREVENT REF. NO. ⑥ FROM LOOSENING.  
SPACER FOR ASSEMBLY IS AVAILABLE HR30-8P-T02.  
TABLE FOR ASSEMBLY IS AVAILABLE HR30-7J-10PC-T01.
  - ⚠ ④ THE CABLE PULL AND TWISTING STRENGTH AND OTHER CHARACTERISTICS MAY DIFFER, DEPENDING ON THE CABLE STRUCTURE.  
PLEASE CONFIRM BEFORE THE USE.

3	PBT	(BLACK)	UL94V-0	6	PPS	(BLACK)	UL94V-0
2	PPS	(BLACK)	UL94V-0	5	SYNTHETIC RUBBER	(BLACK)	
1	PPS	(BLACK)	UL94V-0	4	POLYACETAL	(NATURAL)	
NO.	MATERIAL	FINISH, REMARKS		NO.	MATERIAL	FINISH, REMARKS	

CODE NO. (OLD)		DRAWN	DESIGNED	CHECKED	APPROVED	RELEASED
		E. KUNII	E. KUNII		M. SATO	
		'05.10.14	'05.10.14		'05.10.17	

SCALE	DRAWING NO.	PART NO.
5 : 1	EDC3-112266-71	HR30-7J-10PC(71)
UNITS	<b>HRS</b> HIROSE ELECTRIC CO., LTD	CODE NO.
mm		CL130-2015-9-71



TO
R

## X-ON Electronics

Largest Supplier of Electrical and Electronic Components

*Click to view similar products for [Circular Push Pull Connectors](#) category:*

*Click to view products by [Hirose](#) manufacturer:*

Other Similar products are found below :

[6407-249V-11273P](#) [6408-201V-13273](#) [6408-202V-13343](#) [6408-202V-17343](#) [EZG.0B.309.CLN](#) [FFA.2S.310.ZLA](#) [FGA.1B.307.CYCD72Z](#)  
[FGJ.1B.304.CLLD76](#) [FGJ.1B.306.CWLD72](#) [FGJ.3B.304.CYMD10Z](#) [FGJ.3B.304.CYMD82Z](#) [PCS.01.250.DLLE24](#) [PHG.0K.305.CYMC40Z](#)  
[PHG.1K.308.CLLK85](#) [PKG.M0.6BL.LZ](#) [PLC.M1.0SL.LA](#) [GMA.10.290.DN](#) [GMA.3B.090.DA](#) [PRG.M0.6GL.LC52GZ](#) [PSA.1S.275.CTLC66](#)  
[ABF.1S.250.NTA](#) [133020F](#) [1331ER193MZ](#) [1332M107MZ](#) [DTS26Z19-32JA-LC](#) [DTS26Z19-32SA](#) [DTS26Z19-32SA-LC](#) [DTS26Z23-55HA](#)  
[DTS26Z23-55HA-LC](#) [DTS26Z23-55JA-LC](#) [EAJ.1B.306.CWA](#) [ECG.XB.312.CLL](#) [1589430-2](#) [EEA.0B.305.CLN](#) [EEA.0B.309.CLL](#)  
[ELF.00.250.NTL](#) [ERA.01.250.DLL](#) [BRD.0B.200.PCSG](#) [BRR.2S.200.PZVG](#) [HR10A-P](#) [CAH.M34.SLL.C72GZ](#) [CAJ.M34.SLL.C72GZ](#)  
[300500](#) [ESB.00.303.NLL](#) [EXG.0B.309.HLN](#) [FFB.1S.250.CLAC27](#) [FGA.2B.306.CYCD92](#) [FGA.2B.306.CYCD92Z](#) [FGA.XB.312.CLAD72](#)  
[FGJ.1B.302.CYMD62](#)