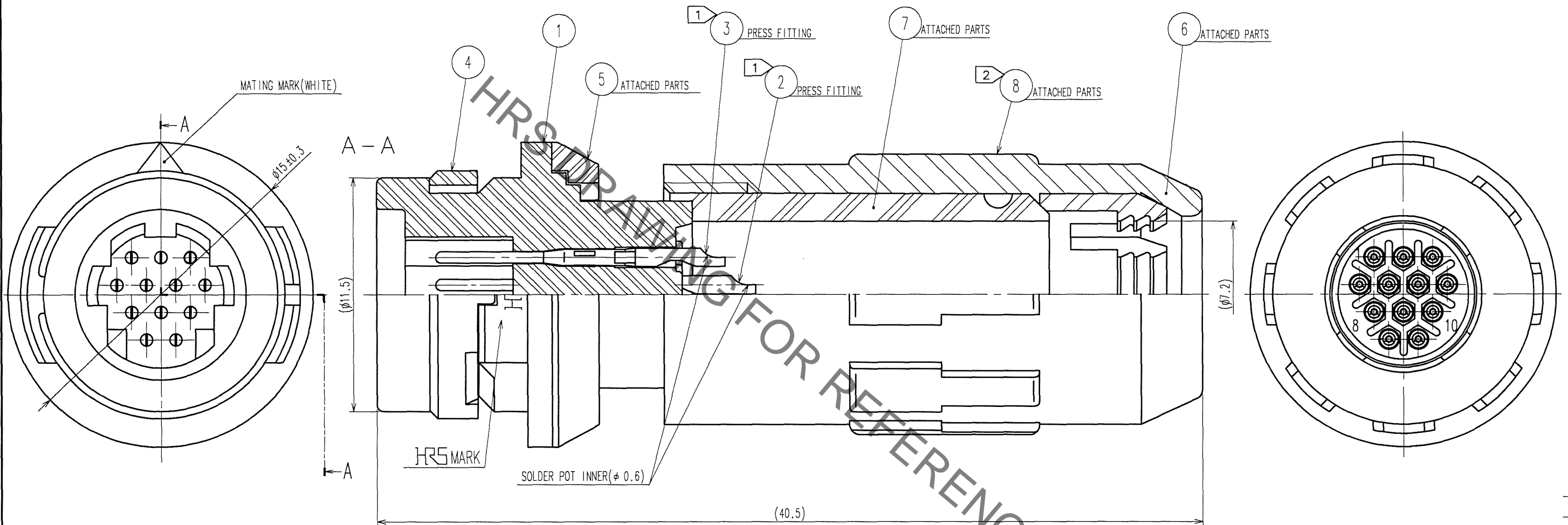
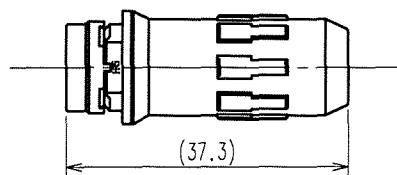


Aug.1.2021 Copyright 2021 HIROSE ELECTRIC CO., LTD. All Rights Reserved.
In case of consideration for using Automotive equipment / device which demand high reliability, kindly contact our sales window correspondents.

COUNT	DESCRIPTION OF REVISIONS	BY	CHKD	DATE	COUNT	DESCRIPTION OF REVISIONS	BY	CHKD	DATE
1	DIS-C-000490	T.H	E,K	07.01.31					

LIFE SIZE(1:1)



- NOTES
- 1 PLATING(REF.NO.203)
CONTACT AREA : GOLD PLATING 0.2 μ m min.
LEAD AREA : GOLD PLATING FLASH.
UNDER PLATING : NICKEL PLATING 2 μ m min.
 - 2 RECOMMENDED TIGHTENING TORQUE OF REF.NO.8 : 0.5 N·m
APPLY THREAD LOCKER TO PREVENT THE POSSIBILITY OF LOOSING WATERPROOF EFFECTIVENESS WHEN THREADED POSITION IS LOOSEN.
RECOMMENDED THREAD LOCKER : LOCTITE 271, LOCKPRIMER 7649, HENKEL JAPAN LTD.
 - 3 APPLICABLE JIGS
SOLDER TERMINATION FIXTURE : HR30-7J-12PC-T01(CL150-0230-5)
TIGHTENING COLLAR FOR BACK SHELL(REF.NO.8) : HR30-8P-T02(CL150-0224-2)
 - 4 THE CABLE PULL AND TWISTING STRENGTH AND OTHER CHARACTERISTICS MAY DIFFER, DEPENDING ON THE CABLE STRUCTURE.
PLEASE CONFIRM BEFORE THE USE.

4	PPS	(BLACK)	UL94V-0	8	PPS	(BLACK)	UL94V-0
3	COPPER ALLOY	1		7	CR	(BLACK)	
2	COPPER ALLOY	1		6	POLYACETAL	(NATURAL)	
1	PPS	(BLACK)	UL94V-0	5	PBT	(BLACK)	UL94V-0
NO.	MATERIAL	FINISH, REMARKS		NO.	MATERIAL	FINISH, REMARKS	

CODE NO. (OLD) CL	DRAWN E.KUNII '05.10.14	DESIGNED E.KUNII '05.10.14	CHECKED .	APPROVED M.SATO '05.10.17	RELEASED .
----------------------	-------------------------------	----------------------------------	--------------	---------------------------------	---------------

SCALE 5 : 1 UNITS mm	DRAWING NO. EDC3-113842-71	PART NO. HR30-7J-12P(71)
	HRS HIROSE ELECTRIC CO., LTD	CODE NO. CL130-2020-9-71

TO
R

X-ON Electronics

Largest Supplier of Electrical and Electronic Components

Click to view similar products for [Circular Push Pull Connectors](#) category:

Click to view products by [Hirose](#) manufacturer:

Other Similar products are found below :

[6407-249V-11273P](#) [6408-201V-13273](#) [6408-202V-13343](#) [6408-202V-17343](#) [EZG.0B.309.CLN](#) [FFA.2S.310.ZLA](#) [FGA.1B.307.CYCD72Z](#)
[FGJ.1B.304.CLLD76](#) [FGJ.1B.306.CWLD72](#) [FGJ.2B.302.CYMD82Z](#) [FGJ.2B.310.CYMD72Z](#) [FGJ.3B.304.CYMD10Z](#)
[FGJ.3B.304.CYMD82Z](#) [FHJ.2B.310.CLLD72](#) [PCS.01.250.DLLE24](#) [PHG.0K.305.CYMC40Z](#) [PHG.1K.308.CLLK85](#) [PKG.M0.6BL.LZ](#)
[PLC.M1.0SL.LA](#) [GMA.10.290.DN](#) [GMA.3B.090.DA](#) [PRG.M0.6GL.LC52GZ](#) [PSA.1S.275.CTLC66](#) [ABF.1S.250.NTA](#) [133020F](#)
[1331ER193MZ](#) [1332M107MZ](#) [DTS26Z19-32JA-LC](#) [DTS26Z19-32SA](#) [DTS26Z19-32SA-LC](#) [DTS26Z23-55HA](#) [DTS26Z23-55HA-LC](#)
[DTS26Z23-55JA-LC](#) [EAJ.1B.306.CWA](#) [ECG.XB.312.CLL](#) [1589430-2](#) [EEA.0B.305.CLN](#) [EEA.0B.309.CLL](#) [ELF.00.250.NTL](#)
[ERA.01.250.DLL](#) [BRD.0B.200.PCSG](#) [BRR.2S.200.PZVG](#) [HR10A-P](#) [CAH.M34.SLL.C72GZ](#) [CAJ.M34.SLL.C72GZ](#) [300500](#)
[ESB.00.303.NLL](#) [EXG.0B.309.HLN](#) [FFB.1S.250.CLAC27](#) [FFG.1B.306.CLAZ](#)