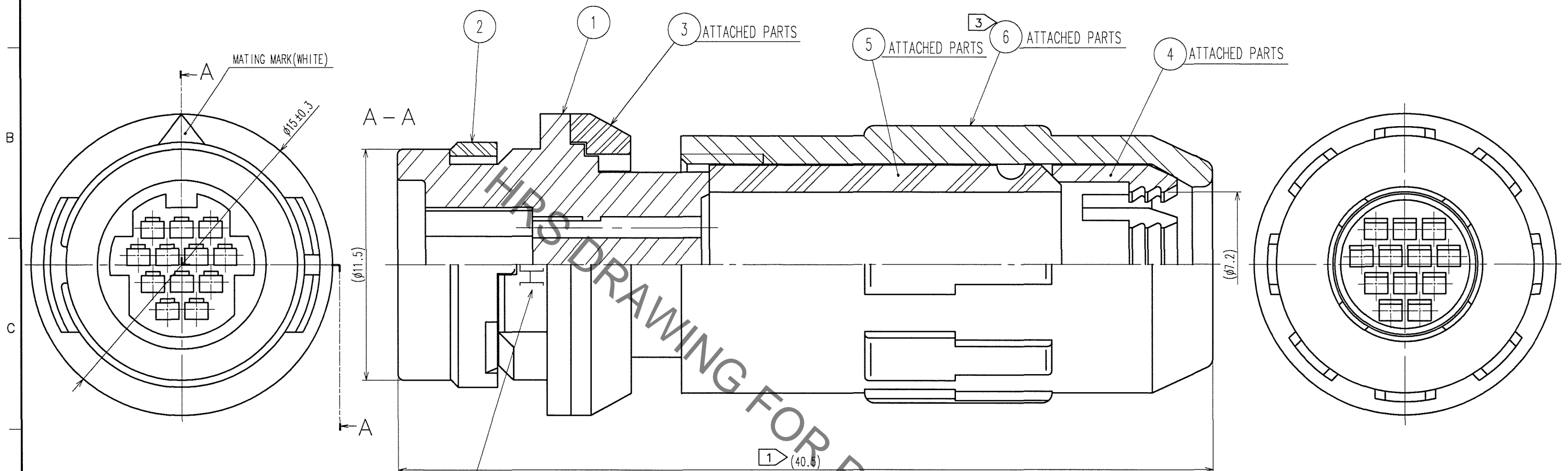
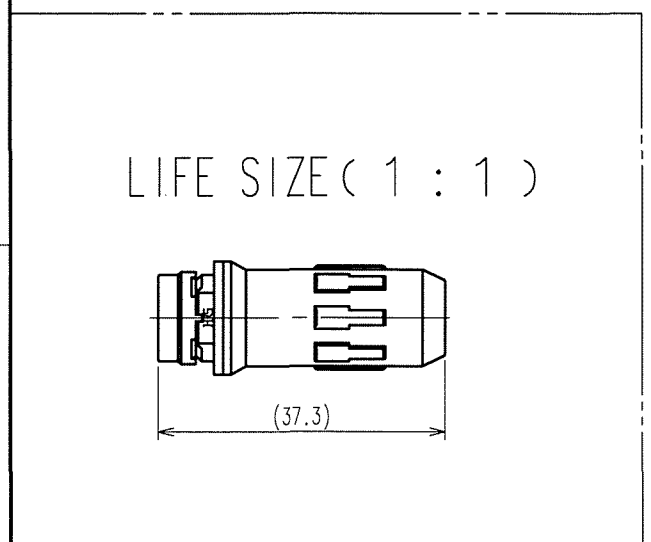


Aug.1.2021 Copyright 2021 HIROSE ELECTRIC CO., LTD. All Rights Reserved.
In case of consideration for using Automotive equipment / device which demand high reliability, kindly contact our sales window correspondents.

COUNT	DESCRIPTION OF REVISIONS	BY	CHKD	DATE	COUNT	DESCRIPTION OF REVISIONS	BY	CHKD	DATE
▲ 1	DIS-C-000490	T.H.E.K		07.01.31	▲				
▲					▲				
▲					▲				



- NOTES
- ① TOTAL LENGTH BECOMES 37.3±1 WHEN ⑥ IS SCREWED INTO ① COMPLETELY.
 - ② APPLICABLE CRIMPING CONTACT:HR30-PC-211
(APPLICABLE WIRE:26-30 AWG WIRE JACKET DIAMETER:φ1 MAX)
APPLICABLE CONTACT WITHDRAWAL HP30-TP
 - ③ THE RECOMMENDED CLUMP TORQUE OF REF. NO.⑥ TO BE 0.5N·m.
SPACER FOR ASSEMBLY IS AVAILABLE HR30-8P-T02.
STAND FOR ASSEMBLY IS AVAILABLE HR30-7J-12PC-T01.
 - ▲④ THE CABLE PULL AND TWISTING STRENGTH AND OTHER CHARACTERISTICS MAY DIFFER,
DEPENDING ON THE CABLE STRUCTURE.
PLEASE CONFIRM BEFORE THE USE.



3	PBT	(BLACK)	UL94V-0	6	PPS	(BLACK)	UL94V-0
2	PPS	(BLACK)	UL94V-0	5	SYNTHETIC RUBBER	(BLACK)	
1	PPS	(BLACK)	UL94V-0	4	POLYACETAL	(NATURAL)	
NO.	MATERIAL	FINISH, REMARKS		NO.	MATERIAL	FINISH, REMARKS	

CODE NO. (OLD)	DRAWN	DESIGNED	CHECKED	APPROVED	RELEASED
	E.KUNII	E.KUNII		M.SATO	
	'05.10.14	'05.10.14		'05.10.17	

 SCALE 5 : 1 UNITS mm	DRAWING NO. EDC3-112268-71 HRS HIROSE ELECTRIC CO., LTD	PART NO. HR30-7J-12PC(71) CODE NO. CL130-2017-4-71	1/1
-----------------------------------	--	---	-----

X-ON Electronics

Largest Supplier of Electrical and Electronic Components

Click to view similar products for [Circular Push Pull Connectors](#) category:

Click to view products by [Hirose](#) manufacturer:

Other Similar products are found below :

[6407-249V-11273P](#) [6408-201V-13273](#) [6408-202V-13343](#) [6408-202V-17343](#) [EZG.0B.309.CLN](#) [FFA.2S.310.ZLA](#) [FGA.1B.307.CYCD72Z](#)
[FGJ.1B.304.CLLD76](#) [FGJ.1B.306.CWLD72](#) [FGJ.3B.304.CYMD10Z](#) [FGJ.3B.304.CYMD82Z](#) [PCS.01.250.DLLE24](#) [PHG.0K.305.CYMC40Z](#)
[PHG.1K.308.CLLK85](#) [PKG.M0.6BL.LZ](#) [PLC.M1.0SL.LA](#) [GMA.10.290.DN](#) [GMA.3B.090.DA](#) [PRG.M0.6GL.LC52GZ](#) [PSA.1S.275.CTLC66](#)
[ABF.1S.250.NTA](#) [133020F](#) [1331ER193MZ](#) [1332M107MZ](#) [DTS26Z19-32JA-LC](#) [DTS26Z19-32SA](#) [DTS26Z19-32SA-LC](#) [DTS26Z23-55HA](#)
[DTS26Z23-55HA-LC](#) [DTS26Z23-55JA-LC](#) [EAJ.1B.306.CWA](#) [ECG.XB.312.CLL](#) [1589430-2](#) [EEA.0B.305.CLN](#) [EEA.0B.309.CLL](#)
[ELF.00.250.NTL](#) [ERA.01.250.DLL](#) [BRD.0B.200.PCSG](#) [BRR.2S.200.PZVG](#) [HR10A-P](#) [CAH.M34.SLL.C72GZ](#) [CAJ.M34.SLL.C72GZ](#)
[300500](#) [ESB.00.303.NLL](#) [EXG.0B.309.HLN](#) [FFB.1S.250.CLAC27](#) [FGA.2B.306.CYCD92](#) [FGA.2B.306.CYCD92Z](#) [FGA.XB.312.CLAD72](#)
[FGJ.1B.302.CYMD62](#)