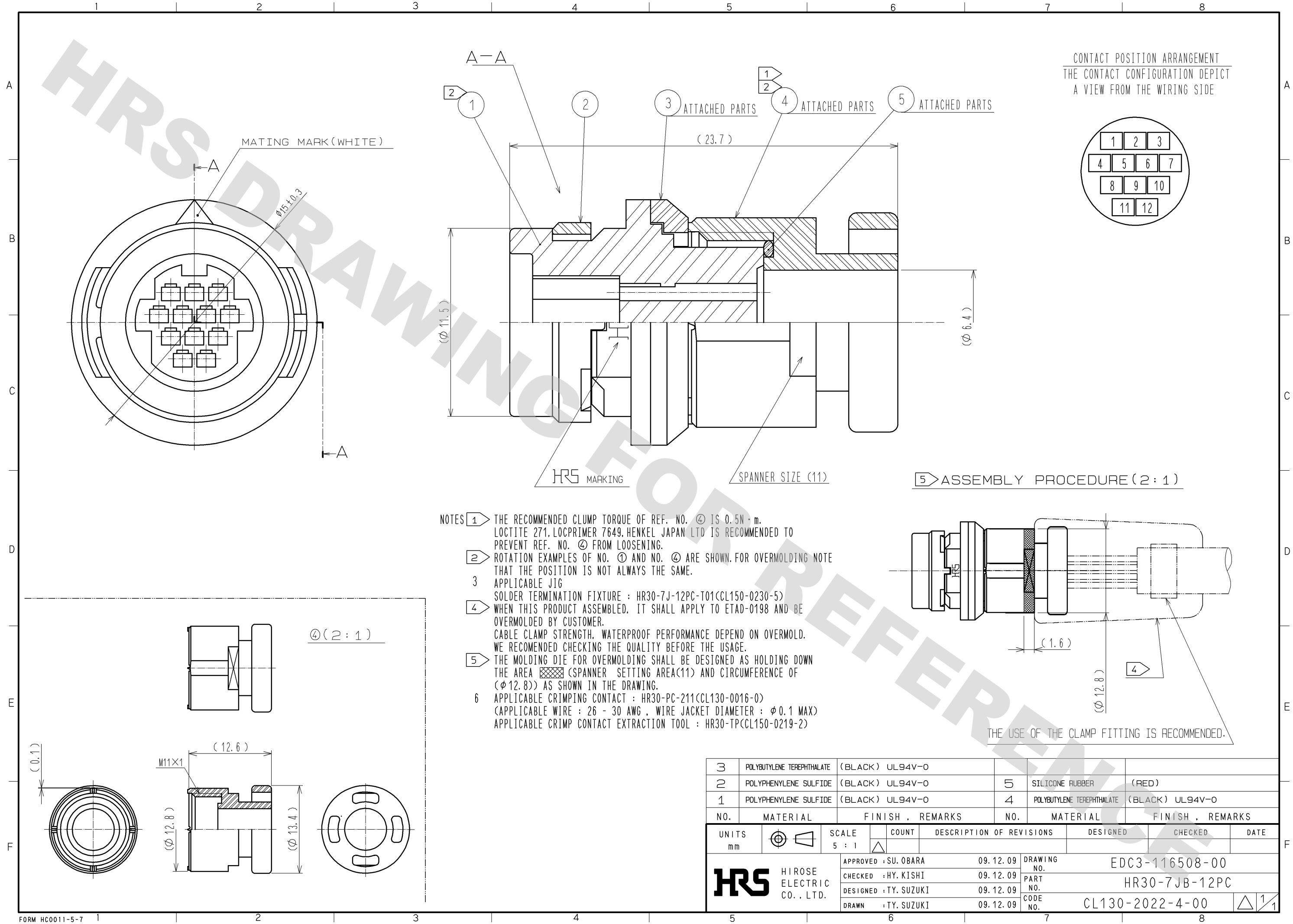
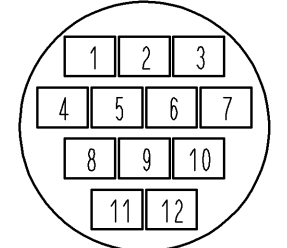


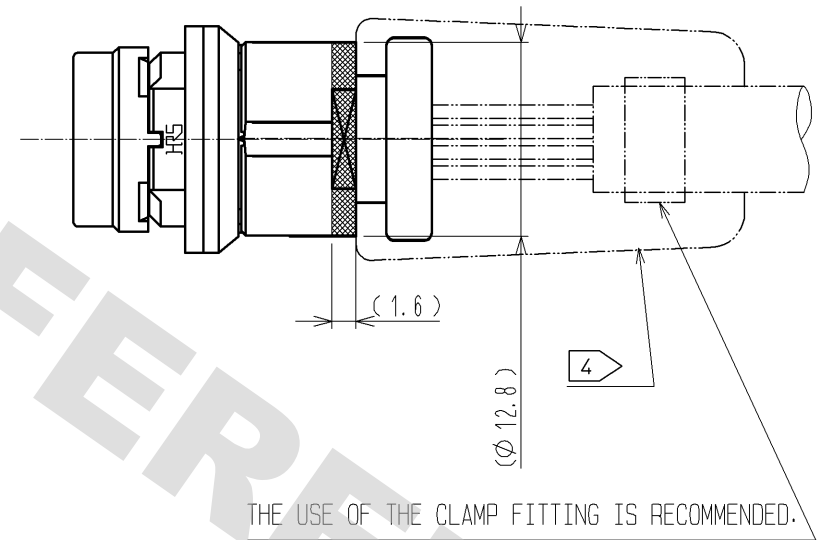
DRAWING FOR REFERENCE: This is subject to change without notice
08/11/2012



CONTACT POSITION ARRANGEMENT
THE CONTACT CONFIGURATION DEPICT
A VIEW FROM THE WIRING SIDE



- NOTES
- ① THE RECOMMENDED CLUMP TORQUE OF REF. NO. ④ IS 0.5N·m. LOCTITE 271, LOCPRIMER 7649, HENKEL JAPAN LTD IS RECOMMENDED TO PREVENT REF. NO. ④ FROM LOOSENING.
 - ② ROTATION EXAMPLES OF NO. ① AND NO. ④ ARE SHOWN. FOR OVERMOLDING NOTE THAT THE POSITION IS NOT ALWAYS THE SAME.
 - ③ APPLICABLE JIG
SOLDER TERMINATION FIXTURE : HR30-7J-12PC-T01(CCL150-0230-5)
 - ④ WHEN THIS PRODUCT ASSEMBLED, IT SHALL APPLY TO ETAD-0198 AND BE OVERMOLDED BY CUSTOMER.
CABLE CLAMP STRENGTH, WATERPROOF PERFORMANCE DEPEND ON OVERMOLD. WE RECOMMENDED CHECKING THE QUALITY BEFORE THE USAGE.
 - ⑤ THE MOLDING DIE FOR OVERMOLDING SHALL BE DESIGNED AS HOLDING DOWN THE AREA (SPANNER SETTING AREA(11)) AND CIRCUMFERENCE OF ($\phi 12.8$) AS SHOWN IN THE DRAWING.
 - ⑥ APPLICABLE CRIMPING CONTACT : HR30-PC-211(CCL130-0016-0)
(APPLICABLE WIRE : 26 - 30 AWG , WIRE JACKET DIAMETER : $\phi 0.1$ MAX)
APPLICABLE CRIMP CONTACT EXTRACTION TOOL : HR30-TP(CCL150-0219-2)



THE USE OF THE CLAMP FITTING IS RECOMMENDED.

3	POLYBUTYLENE TEREPHTHALATE (BLACK) UL94V-0		5	SILICONE RUBBER (RED)	
2	POLYPHENYLENE SULFIDE (BLACK) UL94V-0		4	POLYBUTYLENE TEREPHTHALATE (BLACK) UL94V-0	
1	POLYPHENYLENE SULFIDE (BLACK) UL94V-0				
NO.	MATERIAL	FINISH . REMARKS	NO.	MATERIAL	FINISH . REMARKS
UNITS mm		SCALE 5 : 1	COUNT	DESCRIPTION OF REVISIONS	
DESIGNED		CHECKED		DATE	
APPROVED : SU. OBARA		09.12.09		DRAWING NO. EDC3-116508-00	
CHECKED : HY. KISHI		09.12.09		PART NO. HR30-7JB-12PC	
DESIGNED : TY. SUZUKI		09.12.09		CODE NO. CL130-2022-4-00	
DRAWN : TY. SUZUKI		09.12.09			

X-ON Electronics

Largest Supplier of Electrical and Electronic Components

Click to view similar products for [Circular Push Pull Connectors](#) category:

Click to view products by [Hirose](#) manufacturer:

Other Similar products are found below :

[6407-249V-11273P](#) [6408-201V-13273](#) [6408-202V-13343](#) [6408-202V-17343](#) [EZG.0B.309.CLN](#) [FFA.2S.310.ZLA](#) [FGA.1B.307.CYCD72Z](#)
[FGJ.1B.304.CLLD76](#) [FGJ.1B.306.CWLD72](#) [FGJ.2B.302.CYMD82Z](#) [FGJ.2B.310.CYMD72Z](#) [FGJ.3B.304.CYMD10Z](#)
[FGJ.3B.304.CYMD82Z](#) [FHJ.2B.310.CLLD72](#) [PCS.01.250.DLLE24](#) [PHG.0K.305.CYMC40Z](#) [PHG.1K.308.CLLK85](#) [PKG.M0.6BL.LZ](#)
[PLC.M1.0SL.LA](#) [GMA.10.290.DN](#) [GMA.3B.090.DA](#) [PRG.M0.6GL.LC52GZ](#) [PSA.1S.275.CTLC66](#) [ABF.1S.250.NTA](#) [133020F](#)
[1331ER193MZ](#) [1332M107MZ](#) [DTS26Z19-32JA-LC](#) [DTS26Z19-32SA](#) [DTS26Z19-32SA-LC](#) [DTS26Z23-55HA](#) [DTS26Z23-55HA-LC](#)
[DTS26Z23-55JA-LC](#) [EAJ.1B.306.CWA](#) [ECG.XB.312.CLL](#) [1589430-2](#) [EEA.0B.305.CLN](#) [EEA.0B.309.CLL](#) [ELF.00.250.NTL](#)
[ERA.01.250.DLL](#) [BRD.0B.200.PCSG](#) [BRR.2S.200.PZVG](#) [HR10A-P](#) [CAH.M34.SLL.C72GZ](#) [CAJ.M34.SLL.C72GZ](#) [300500](#)
[ESB.00.303.NLL](#) [EXG.0B.309.HLN](#) [FFB.1S.250.CLAC27](#) [FFG.1B.306.CLAZ](#)