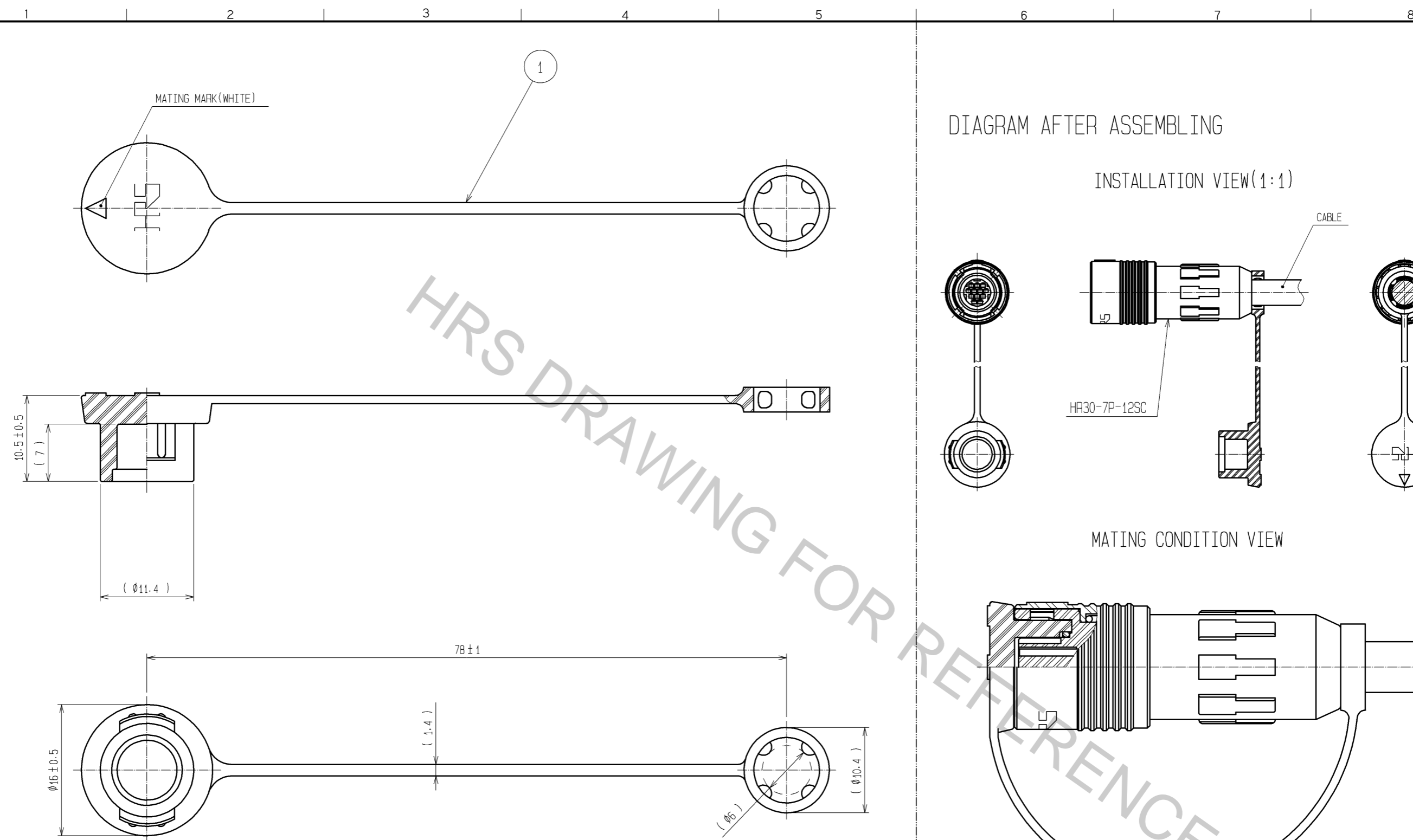


Feb.1.2018 Copyright 2018 HIROSE ELECTRIC CO., LTD. All Rights Reserved.



NOTES 1 THIS PART TO BE USED AS ASSEMBLED COMPONENT IN THE DIAGRAM AFTER ASEMBLING.  
 2 THIS PRODUCT IS A CAP FOR HR30-7P-\*(\*)  
 IT IS APPLICABLE REGARDLESS OF GIVEN ALPHABETS OR NUMBERS SHOWN AT %.

| 1     | CHLOROPRENE RUBBER | BLACK            |       |                          |                  |                            |             |
|-------|--------------------|------------------|-------|--------------------------|------------------|----------------------------|-------------|
| NO.   | MATERIAL           | FINISH . REMARKS | NO.   | MATERIAL                 | FINISH . REMARKS |                            |             |
| UNITS |                    | SCALE            | COUNT | DESCRIPTION OF REVISIONS |                  | DESIGNED                   | CHECKED     |
| mm    |                    | 2 : 1            | 2     | DIS-C-002963             |                  | MM. ISHII                  | TP. KOMATSU |
|       |                    |                  |       | APPROVED : MO. SATOH     | 05.10.20         | DRAWING NO. EDC3-112698-71 |             |
|       |                    |                  |       | CHECKED : MO. SATOH      | 05.10.20         | PART NO. HR30-7P-C(71)     |             |
|       |                    |                  |       | DESIGNED : E.J. KUNII    | 05.10.20         | CODE NO. CL130-3004-8-71   |             |
|       |                    |                  |       | DRAWN : E.J. KUNII       | 05.10.20         |                            |             |

## X-ON Electronics

Largest Supplier of Electrical and Electronic Components

*Click to view similar products for [Circular Push Pull Connectors](#) category:*

*Click to view products by [Hirose](#) manufacturer:*

Other Similar products are found below :

[6407-249V-11273P](#) [6408-201V-13273](#) [6408-202V-13343](#) [6408-202V-17343](#) [EZG.0B.309.CLN](#) [FFA.2S.310.ZLA](#) [FGA.1B.307.CYCD72Z](#)  
[FGJ.1B.304.CLLD76](#) [FGJ.1B.306.CWLD72](#) [FGJ.3B.304.CYMD10Z](#) [FGJ.3B.304.CYMD82Z](#) [PCS.01.250.DLLE24](#) [PHG.0K.305.CYMC40Z](#)  
[PHG.1K.308.CLLK85](#) [PKG.M0.6BL.LZ](#) [PLC.M1.0SL.LA](#) [GMA.10.290.DN](#) [GMA.3B.090.DA](#) [PRG.M0.6GL.LC52GZ](#) [PSA.1S.275.CTLC66](#)  
[ABF.1S.250.NTA](#) [133020F](#) [1331ER193MZ](#) [1332M107MZ](#) [DTS26Z19-32JA-LC](#) [DTS26Z19-32SA](#) [DTS26Z19-32SA-LC](#) [DTS26Z23-55HA](#)  
[DTS26Z23-55HA-LC](#) [DTS26Z23-55JA-LC](#) [EAJ.1B.306.CWA](#) [ECG.XB.312.CLL](#) [1589430-2](#) [EEA.0B.305.CLN](#) [EEA.0B.309.CLL](#)  
[ELF.00.250.NTL](#) [ERA.01.250.DLL](#) [BRD.0B.200.PCSG](#) [BRR.2S.200.PZVG](#) [HR10A-P](#) [CAH.M34.SLL.C72GZ](#) [CAJ.M34.SLL.C72GZ](#)  
[300500](#) [ESB.00.303.NLL](#) [EXG.0B.309.HLN](#) [FFB.1S.250.CLAC27](#) [FGA.2B.306.CYCD92](#) [FGA.2B.306.CYCD92Z](#) [FGA.XB.312.CLAD72](#)  
[FGJ.1B.302.CYMD62](#)