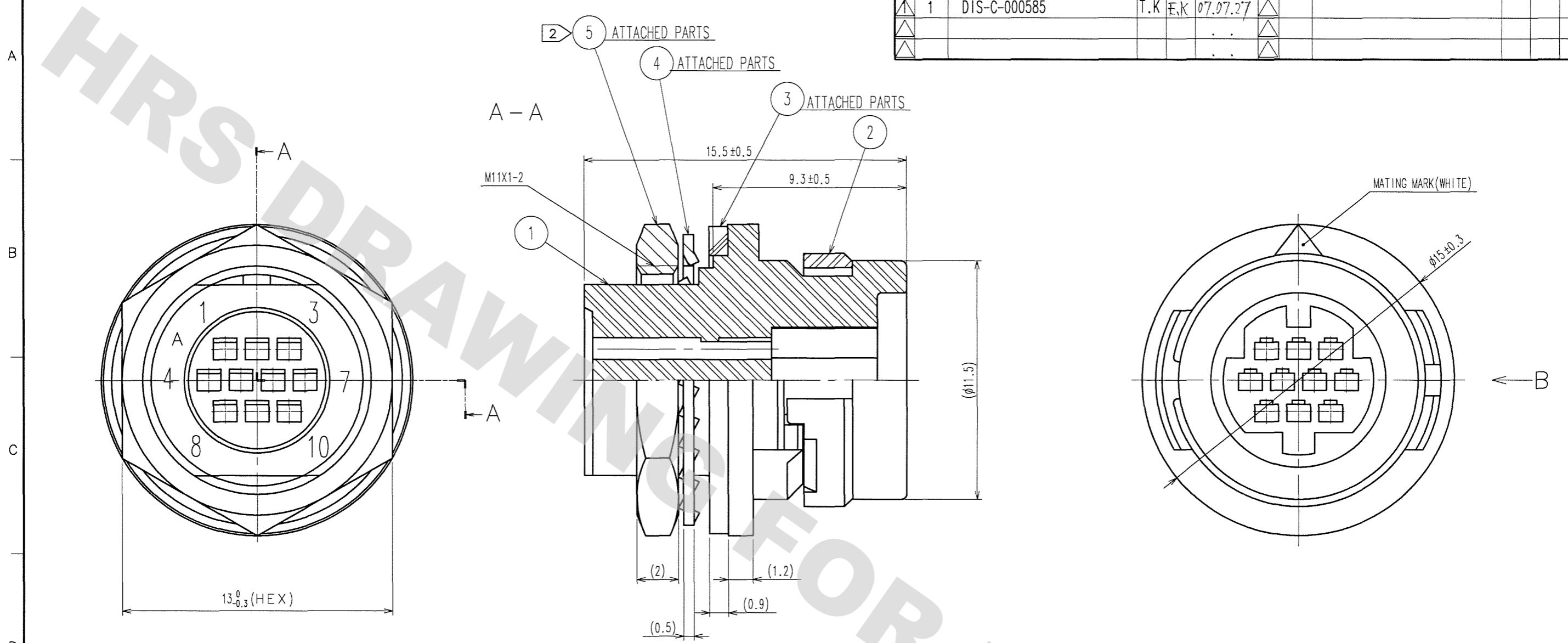
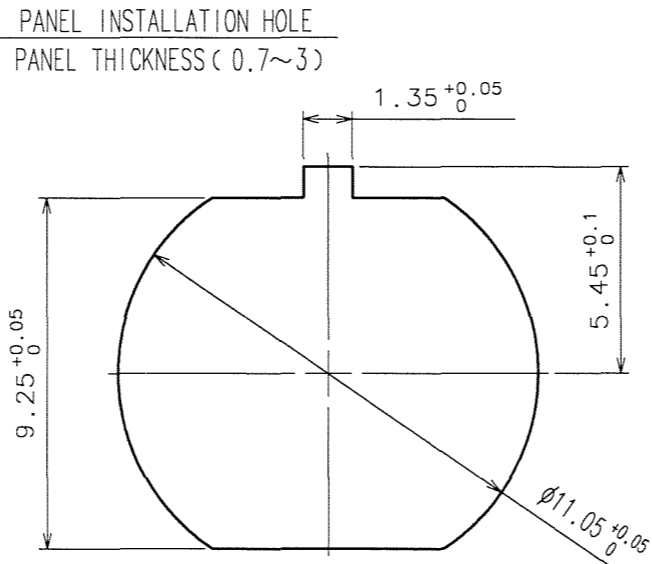
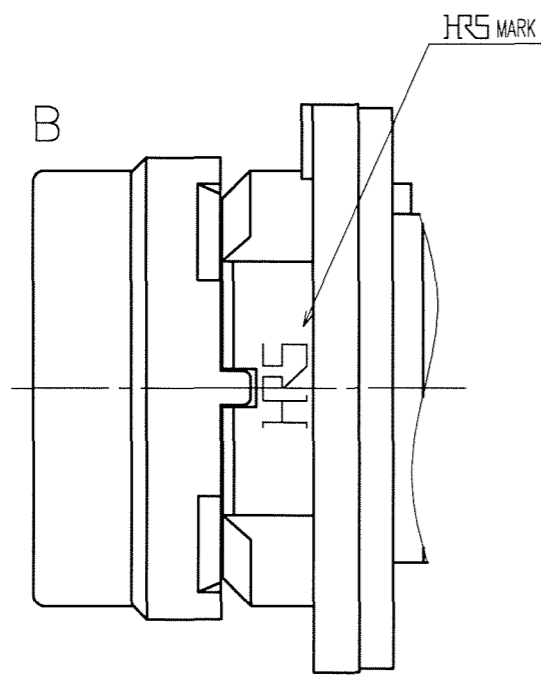


COUNT	DESCRIPTION OF REVISIONS	BY	CHKD	DATE	COUNT	DESCRIPTION OF REVISIONS	BY	CHKD	DATE
1	DIS-C-000585	T.K	E.K	07.07.27					



DRAWING FOR REFERENCE: This is subject to change without notice  
08/11/2012



NOTES 1 APPLICABLE CRIMPING CONTACT:HR30-PC-211  
(APPLICABLE WIRE: 26~30 AWG WIRE JACKET DIAMETER:φ1 MAX)  
APPLICABLE CRIMP CONTACT EXTRACTION TOOL:HR30-TP  
2 THE RECOMMENDED CLUMP TORQUE OF REF. NO.⑤ TO BE 0.8N·m.  
LOCTITE 271, LOCPRIMER 7649, ROCTITE JAPAN IS RECOMMENDED TO PREVENT REF. NO.⑤ FROM LOOSENING.

NO.	MATERIAL	FINISH, REMARKS	NO.	MATERIAL	FINISH, REMARKS
3	CR	(BLACK)	5	BRASS	NICKEL PLATING
2	PPS	(BLACK)	4	PHOSPHOR BRONZE	NICKEL PLATING
1	PPS	(BLACK)			

CODE NO. (OLD)	DRAWN	DESIGNED	CHECKED	APPROVED	RELEASED
	M.HANYU	H.NAGANO	E.KUNII	M.SATO	
	'05 8 10	'05 8 10	'05 8 10	'05 8 10	

SCALE 5 : 1	DRAWING NO. EDC3-112154-71	PART NO. HR30-7R-10PC(71)
UNITS mm	<b>HRS</b> HIROSE ELECTRIC CO., LTD	CODE NO. CL130-1012-5-71

TO
R

## X-ON Electronics

Largest Supplier of Electrical and Electronic Components

*Click to view similar products for [Circular Push Pull Connectors](#) category:*

*Click to view products by [Hirose](#) manufacturer:*

Other Similar products are found below :

[6407-249V-11273P](#) [6408-201V-13273](#) [6408-202V-13343](#) [6408-202V-17343](#) [EZG.0B.309.CLN](#) [FFA.2S.310.ZLA](#) [FGA.1B.307.CYCD72Z](#)  
[FGJ.1B.304.CLLD76](#) [FGJ.1B.306.CWLD72](#) [FGJ.3B.304.CYMD10Z](#) [FGJ.3B.304.CYMD82Z](#) [PCS.01.250.DLLE24](#) [PHG.0K.305.CYMC40Z](#)  
[PHG.1K.308.CLLK85](#) [PKG.M0.6BL.LZ](#) [PLC.M1.0SL.LA](#) [GMA.10.290.DN](#) [GMA.3B.090.DA](#) [PRG.M0.6GL.LC52GZ](#) [PSA.1S.275.CTLC66](#)  
[ABF.1S.250.NTA](#) [133020F](#) [1331ER193MZ](#) [1332M107MZ](#) [DTS26Z19-32JA-LC](#) [DTS26Z19-32SA](#) [DTS26Z19-32SA-LC](#) [DTS26Z23-55HA](#)  
[DTS26Z23-55HA-LC](#) [DTS26Z23-55JA-LC](#) [EAJ.1B.306.CWA](#) [ECG.XB.312.CLL](#) [1589430-2](#) [EEA.0B.305.CLN](#) [EEA.0B.309.CLL](#)  
[ELF.00.250.NTL](#) [ERA.01.250.DLL](#) [BRD.0B.200.PCSG](#) [BRR.2S.200.PZVG](#) [HR10A-P](#) [CAH.M34.SLL.C72GZ](#) [CAJ.M34.SLL.C72GZ](#)  
[300500](#) [ESB.00.303.NLL](#) [EXG.0B.309.HLN](#) [FFB.1S.250.CLAC27](#) [FGA.2B.306.CYCD92](#) [FGA.2B.306.CYCD92Z](#) [FGA.XB.312.CLAD72](#)  
[FGJ.1B.302.CYMD62](#)