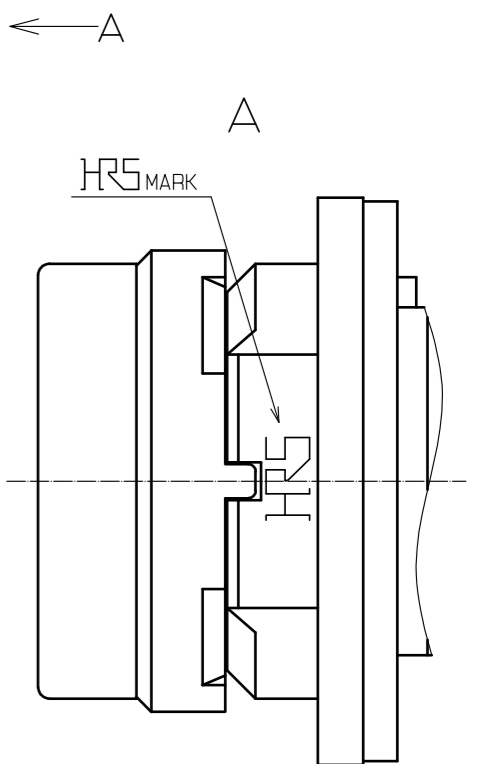
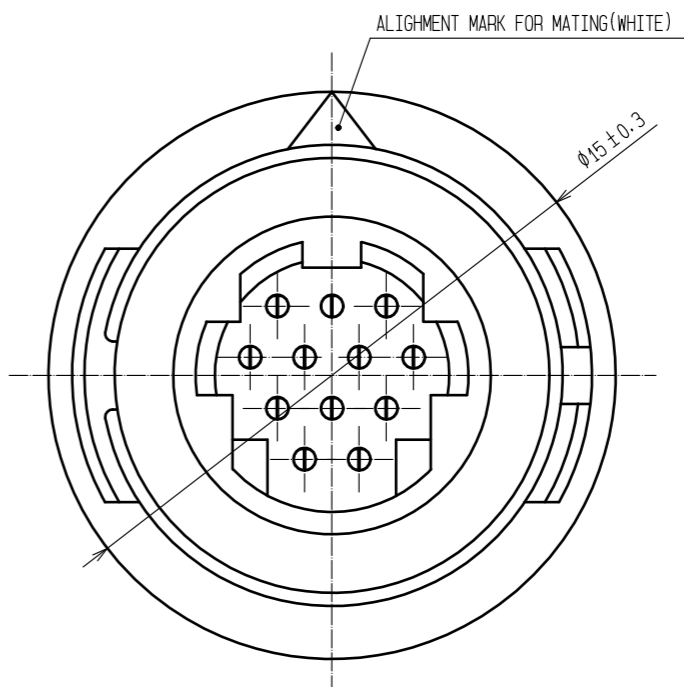
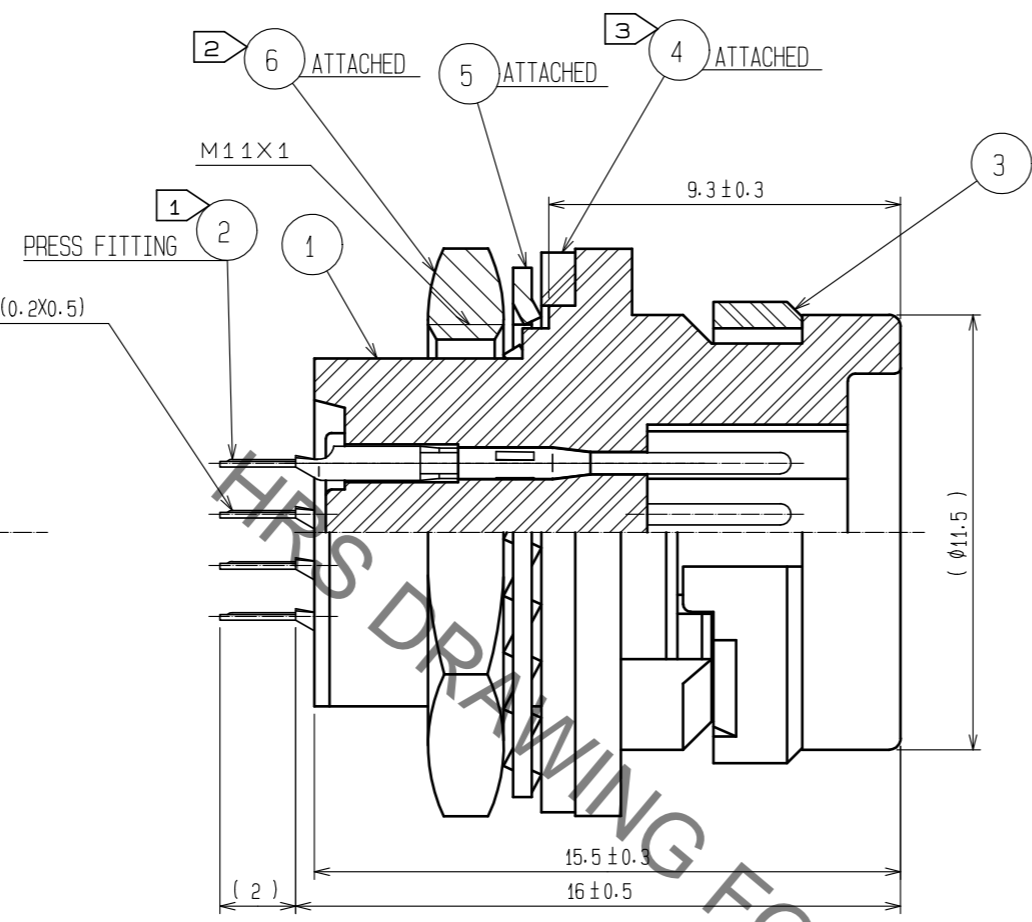
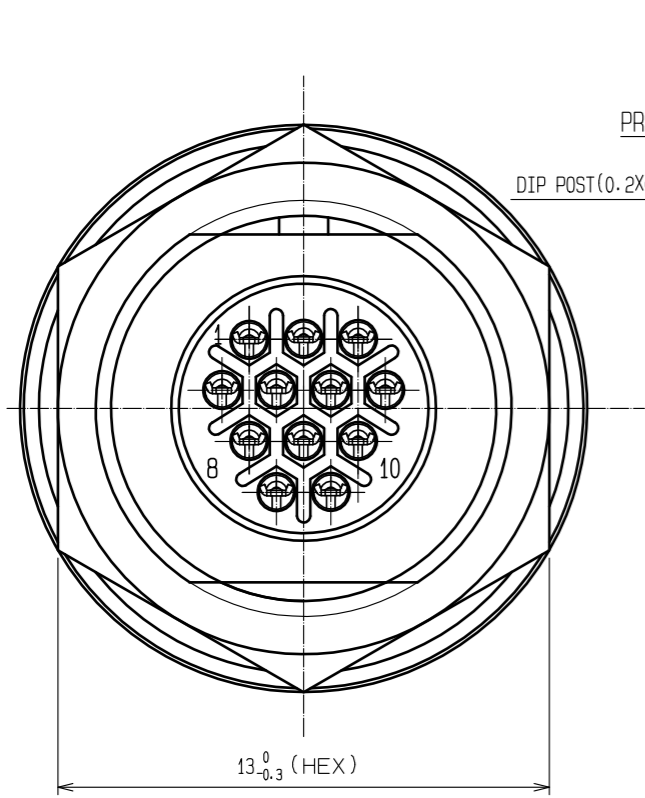
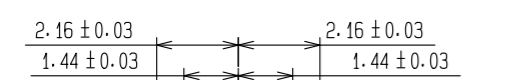


Sep.1.2021 Copyright 2021 HIROSE ELECTRIC CO., LTD. All Rights Reserved.
In case of consideration for using Automotive equipment / device which demand high reliability, kindly contact our sales window correspondents.

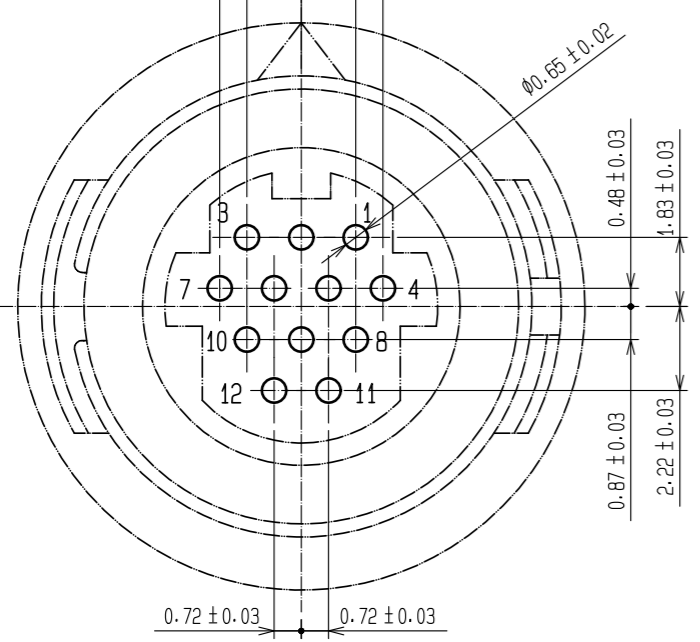
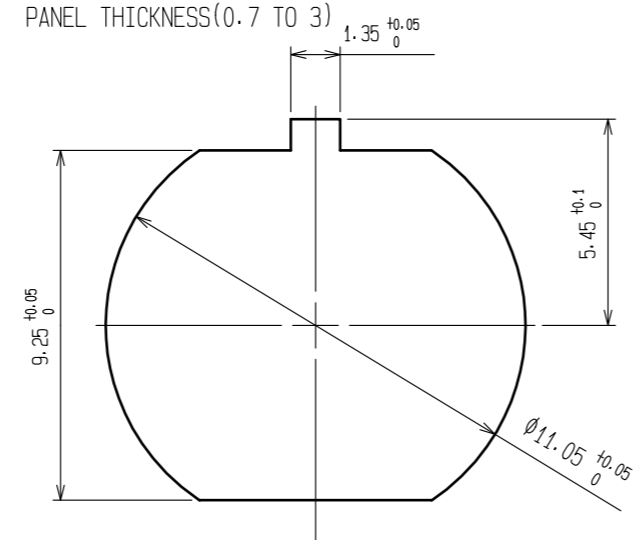


DIP POST LOCATION DIMENSIONS IN THE VIEW FROM CONNECTOR OPENING SIDE

(RECOMMENDED MAXIMUM PANEL THICKNESS : 1.2)



PANEL INSTALLATION HOLE
PANEL THICKNESS(0.7 TO 3)



- NOTES
- ① FINISH OF REF.NO. ②
CONTACT AREA : GOLD 0.2μm min.
DIP AREA : GOLD FLASH.
UNDER PLATING: NICKEL 2μm min.
 - ② RECOMMENDED TIGHTENING TORQUE OF REF.NO. ⑥ : 0.8 N·m.
LOOSENED NUT MAY CAUSE THE DETERIORATION OF WATER-RESISTANCY.
THE USE OF LOOSENING-PREVENTIVE ADHESIVE IS STRONGLY RECOMMENDED.
RECOMMENDED THREAD LOCKER : LOCTITE 263 , LOCKPRIMER 7649, HENKEL JAPAN LTD.
 - ③ AFTER REF.NO. ④ IS INSERTED TO REF.NO. ① ,
REF.NO. ① IS MOUNTED ON THE PANEL.
MAKE SURE THAT REF.NO. ④ DOES NOT HAVE ANY FACTORS TO REDUCE WATER-RESISTANCY,
SUCH AS SCRATCH, TWIST, PINCHING, OR DUST.

3	PPS	(BLACK) UL94V-0	6	BRASS	NICKEL PLATING
2	COPPER ALLOY	①	5	PHOSPHOR BRONZE	NICKEL PLATING
1	PPS	(BLACK) UL94V-0	4	CR	(BLACK)
NO.	MATERIAL	FINISH . REMARKS	NO.	MATERIAL	FINISH . REMARKS
UNITS		SCALE	COUNT	DESCRIPTION OF REVISIONS	
mm		5 : 1	△	DESIGNED	CHECKED
HRS		APPROVED : HY. KOBAYASHI	18.02.26	DRAWING NO. EDC-113454-31-00	
HIROSE ELECTRIC CO., LTD.		CHECKED : HY. KOBAYASHI	18.02.26	PART NO. HR30-7R-12PD(31)	
		DESIGNED : DS. MATSUNE	18.02.26	CODE NO. CL130-1017-9-31	
		DRAWN : DS. MATSUNE	18.02.26	1/1	

X-ON Electronics

Largest Supplier of Electrical and Electronic Components

Click to view similar products for [Circular Push Pull Connectors](#) category:

Click to view products by [Hirose](#) manufacturer:

Other Similar products are found below :

[6407-249V-11273P](#) [6408-201V-13273](#) [6408-202V-13343](#) [6408-202V-17343](#) [EZG.0B.309.CLN](#) [FFA.2S.310.ZLA](#) [FGA.1B.307.CYCD72Z](#)
[FGJ.1B.304.CLLD76](#) [FGJ.1B.306.CWLD72](#) [FGJ.3B.304.CYMD10Z](#) [FGJ.3B.304.CYMD82Z](#) [PCS.01.250.DLLE24](#) [PHG.0K.305.CYMC40Z](#)
[PHG.1K.308.CLLK85](#) [PKG.M0.6BL.LZ](#) [PLC.M1.0SL.LA](#) [GMA.10.290.DN](#) [GMA.3B.090.DA](#) [PRG.M0.6GL.LC52GZ](#) [PSA.1S.275.CTLC66](#)
[ABF.1S.250.NTA](#) [133020F](#) [1331ER193MZ](#) [1332M107MZ](#) [DTS26Z19-32JA-LC](#) [DTS26Z19-32SA](#) [DTS26Z19-32SA-LC](#) [DTS26Z23-55HA](#)
[DTS26Z23-55HA-LC](#) [DTS26Z23-55JA-LC](#) [EAJ.1B.306.CWA](#) [ECG.XB.312.CLL](#) [1589430-2](#) [EEA.0B.305.CLN](#) [EEA.0B.309.CLL](#)
[ELF.00.250.NTL](#) [ERA.01.250.DLL](#) [BRD.0B.200.PCSG](#) [BRR.2S.200.PZVG](#) [HR10A-P](#) [CAH.M34.SLL.C72GZ](#) [CAJ.M34.SLL.C72GZ](#)
[300500](#) [ESB.00.303.NLL](#) [EXG.0B.309.HLN](#) [FFB.1S.250.CLAC27](#) [FGA.2B.306.CYCD92](#) [FGA.2B.306.CYCD92Z](#) [FGA.XB.312.CLAD72](#)
[FGJ.1B.302.CYMD62](#)