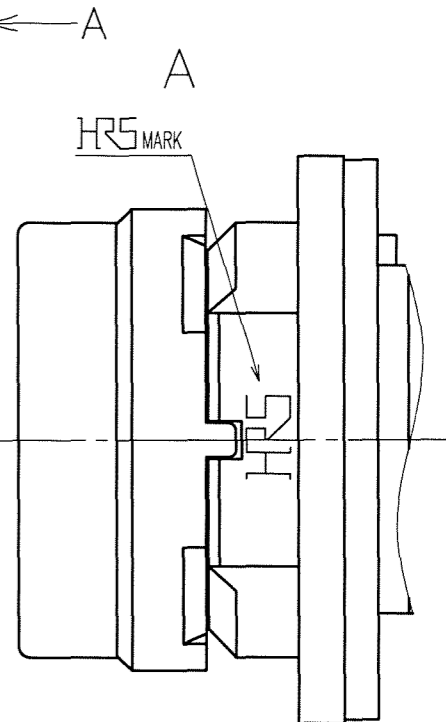
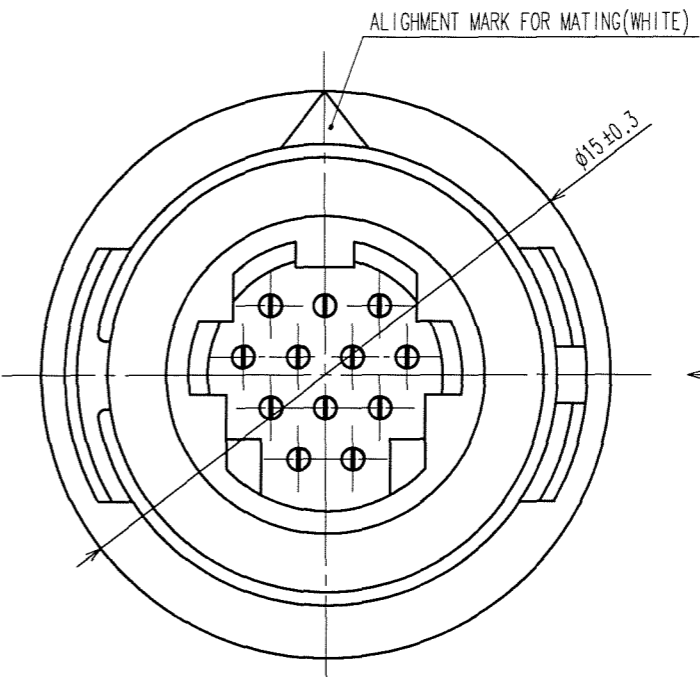
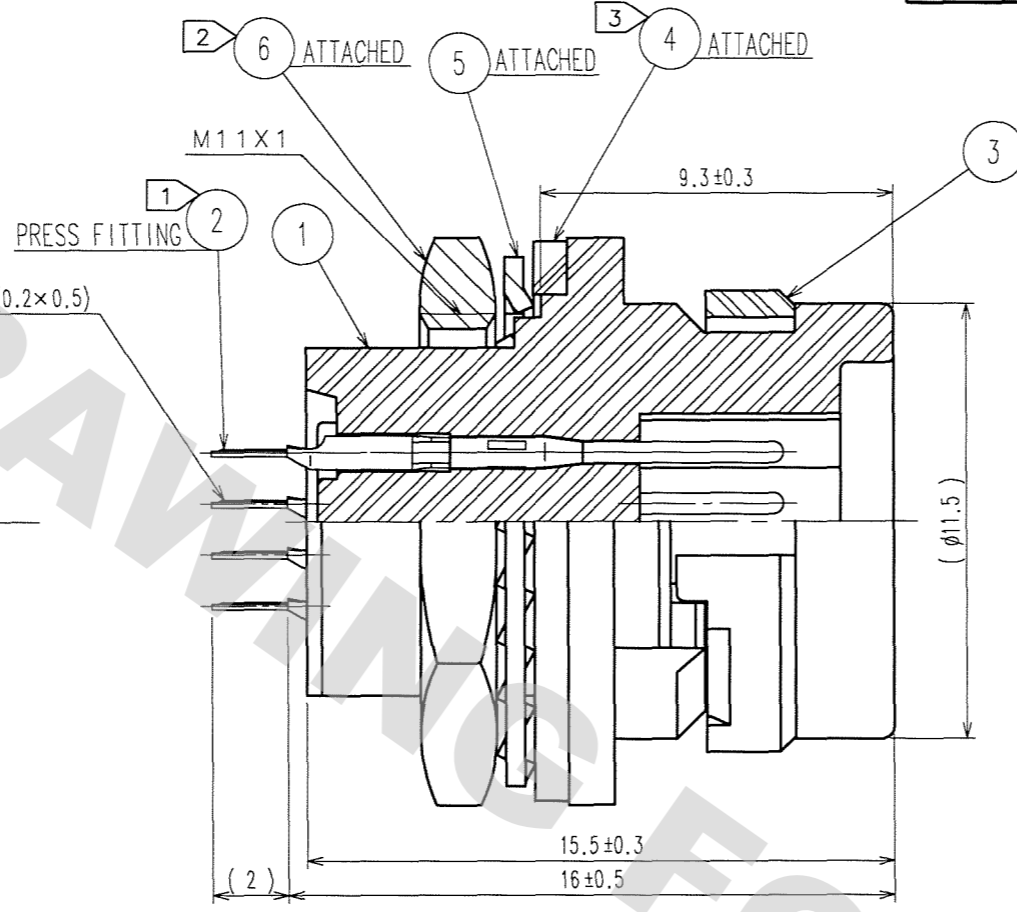
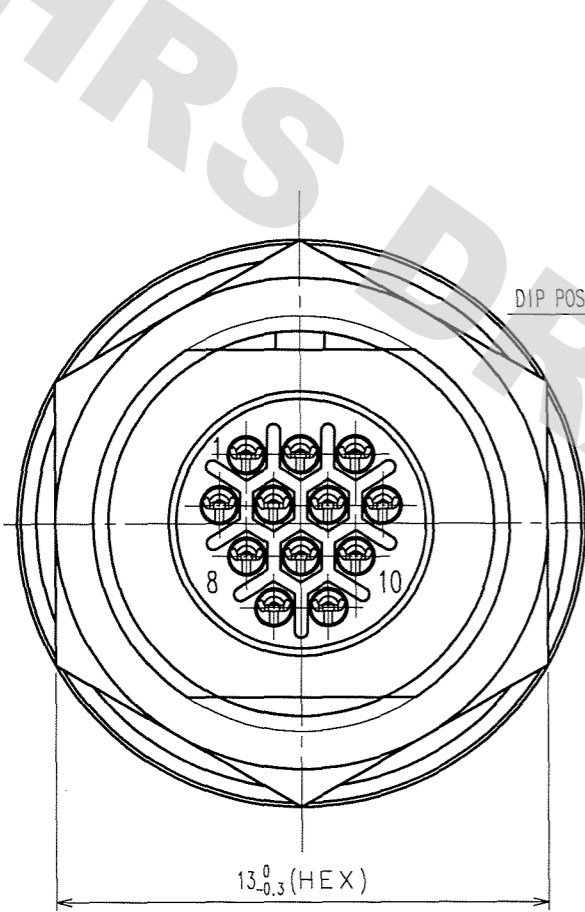


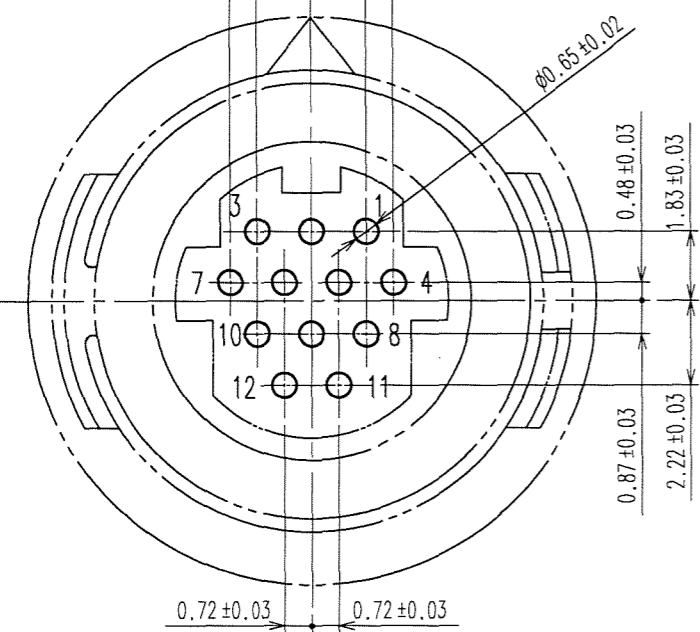
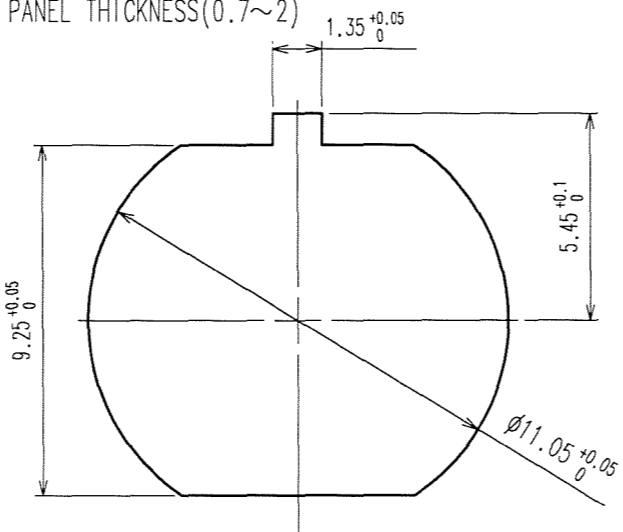
COUNT	DESCRIPTION OF REVISIONS	BY	CHKD	DATE	COUNT	DESCRIPTION OF REVISIONS	BY	CHKD	DATE
1	DIS-C-000585	T.K	E.K	07.07.27					



DIP POST LOCATION DIMENSIONS IN THE VIEW FROM CONNECTOR OPENING SIDE
(RECOMMENDED MAXIMUM PANEL THICKNESS : 1.2)



PANEL INSTALLATION HOLE
PANEL THICKNESS(0.7~2)



- NOTES
- FINISH OF REF.NO.②
CONTACT AREA : GOLD 0.2μ m min.
DIP AREA : GOLD FLASH.
UNDER PLATING: NICKEL 2μ m min.
 - RECOMMENDED TIGHTENING TORQUE OF REF.NO.⑥ : 0.8 N·m.
LOOSENED NUT MAY CAUSE THE DETERIORATION OF WATER-RESISTANCY.
THE USE OF LOOSENING-PREVENTIVE ADHESIVE IS STRONGLY RECOMMENDED.
RECOMMENDED THREAD LOCKER : LOCTITE 271, LOCKPRIMER 7649, HENKEL JAPAN LTD.
 - AFTER REF.NO.④ IS INSERTED TO REF.NO.①, REF.NO.① IS MOUNTED ON THE PANEL.
MAKE SURE THAT REF.NO.④ DOES NOT HAVE ANY FACTORS TO REDUCE WATER-RESISTANCY, SUCH AS SCRATCH, TWIST, PINCHING, OR DUST.

3	PPS	(BLACK) UL94V-0	6	BRASS	NICKEL PLATING
2	COPPER ALLOY		5	PHOSPHOR BRONZE	NICKEL PLATING
1	PPS	(BLACK) UL94V-0	4	CR	(BLACK)
NO.	MATERIAL	FINISH, REMARKS	NO.	MATERIAL	FINISH, REMARKS

CODE NO. (OLD)	CL	DRAWN	DESIGNED	CHECKED	APPROVED	RELEASED
		T.HORII	H.NAGANO	E.KUNII	M.SATO	
		'06 3 3	'06 3 7	'06 3 8	'06 3 8	

SCALE	5 : 1	DRAWING NO.	EDC3-113454-71	PART NO.	HR30-7R-12PD(71)
UNITS	mm	CODE NO.	CL130-1017-9-71		

HRS HIROSE ELECTRIC CO., LTD

1/1

DRAWING FOR REFERENCE: This is subject to change without notice
08/11/2012

TO
R

X-ON Electronics

Largest Supplier of Electrical and Electronic Components

Click to view similar products for [Circular Push Pull Connectors](#) category:

Click to view products by [Hirose](#) manufacturer:

Other Similar products are found below :

[6407-249V-11273P](#) [6408-201V-13273](#) [6408-202V-13343](#) [6408-202V-17343](#) [EZG.0B.309.CLN](#) [FFA.2S.310.ZLA](#) [FGA.1B.307.CYCD72Z](#)
[FGJ.1B.304.CLLD76](#) [FGJ.1B.306.CWLD72](#) [FGJ.2B.302.CYMD82Z](#) [FGJ.2B.310.CYMD72Z](#) [FGJ.3B.304.CYMD10Z](#)
[FGJ.3B.304.CYMD82Z](#) [FHJ.2B.310.CLLD72](#) [PCS.01.250.DLLE24](#) [PHG.0K.305.CYMC40Z](#) [PHG.1K.308.CLLK85](#) [PKG.M0.6BL.LZ](#)
[PLC.M1.0SL.LA](#) [GMA.10.290.DN](#) [GMA.3B.090.DA](#) [PRG.M0.6GL.LC52GZ](#) [PSA.1S.275.CTLC66](#) [ABF.1S.250.NTA](#) [133020F](#)
[1331ER193MZ](#) [1332M107MZ](#) [DTS26Z19-32JA-LC](#) [DTS26Z19-32SA](#) [DTS26Z19-32SA-LC](#) [DTS26Z23-55HA](#) [DTS26Z23-55HA-LC](#)
[DTS26Z23-55JA-LC](#) [EAJ.1B.306.CWA](#) [ECG.XB.312.CLL](#) [1589430-2](#) [EEA.0B.305.CLN](#) [EEA.0B.309.CLL](#) [ELF.00.250.NTL](#)
[ERA.01.250.DLL](#) [BRD.0B.200.PCSG](#) [BRR.2S.200.PZVG](#) [HR10A-P](#) [CAH.M34.SLL.C72GZ](#) [CAJ.M34.SLL.C72GZ](#) [300500](#)
[ESB.00.303.NLL](#) [EXG.0B.309.HLN](#) [FFB.1S.250.CLAC27](#) [FFG.1B.306.CLAZ](#)