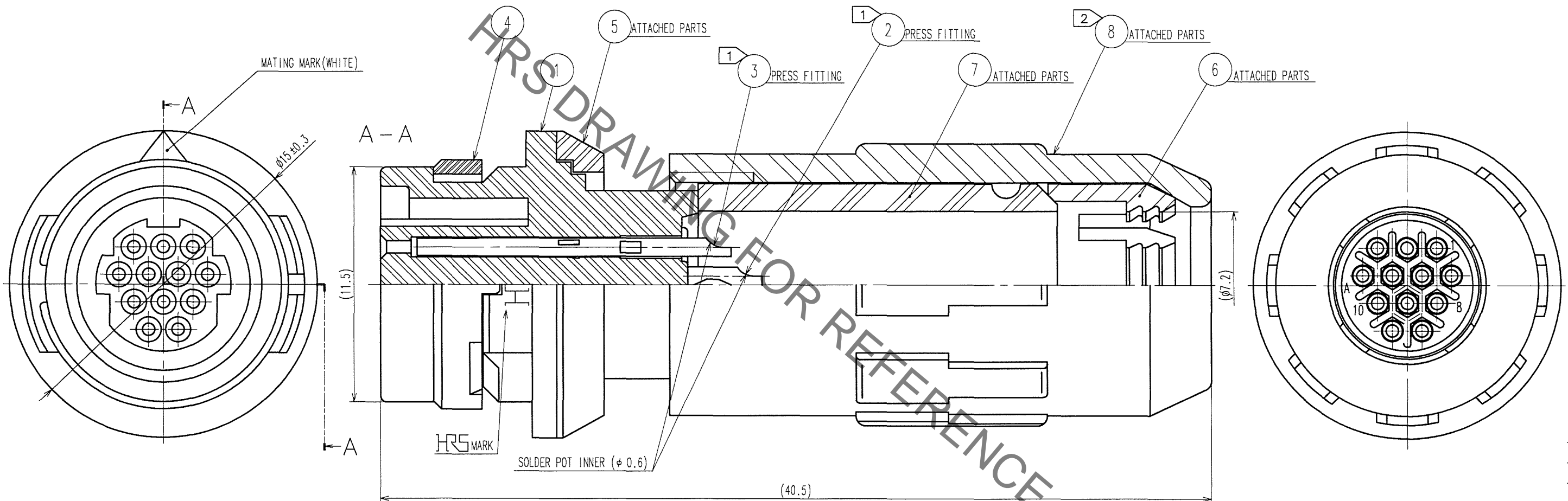
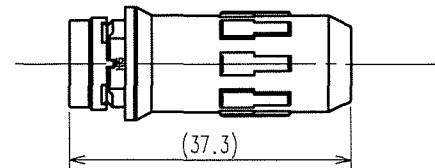


Aug.1.2021 Copyright 2021 HIROSE ELECTRIC CO., LTD. All Rights Reserved.
In case of consideration for using Automotive equipment / device which demand high reliability, kindly contact our sales window correspondents.

COUNT	DESCRIPTION OF REVISIONS	BY	CHKD	DATE	COUNT	DESCRIPTION OF REVISIONS	BY	CHKD	DATE
1	DIS-C-000490	T.H.E.K		07.01.31					

LIFE SIZE (1:1)



- NOTES
- ① PLATING (REF. NO. ②)
 - CONTACT AREA : GOLD PLATING 0.2μm min.
 - LEAD AREA : GOLD PLATING FLASH.
 - UNDER PLATING : NICKEL PLATING 2μm min.
 - ② RECOMMENDED TIGHTENING TORQUE OF REF. NO. ⑧ : 0.5 N·m
 APPLY THREAD LOCKER TO PREVENT THE POSSIBILITY OF LOSING WATERPROOF EFFECTIVENESS WHEN THREADED POSITION IS LOOSEN.
 RECOMMENDED THREAD LOCKER : LOCTITE 271, LOCKPRIMER 7649, HENKEL JAPAN LTD.
 - ③ APPLICABLE JIGS
 SOLDER TERMINATION FIXTURE : HR30-8J-12SC-T01 (CL150-0226-8)
 TIGHTENING COLLAR FOR BACK SHELL (REF. NO. ⑧) : HR30-8P-T02 (CL150-0224-2)
 - △④ THE CABLE PULL AND TWISTING STRENGTH AND OTHER CHARACTERISTICS MAY DIFFER, DEPENDING ON THE CABLE STRUCTURE. PLEASE CONFIRM BEFORE THE USE.

NO.	MATERIAL	FINISH, REMARKS	NO.	MATERIAL	FINISH, REMARKS
4	PPS	(BLACK) UL94V-0	8	PPS	(BLACK) UL94V-0
3	PHOSPHOR BRONZE	①	7	CR	(BLACK)
2	PHOSPHOR BRONZE	①	6	POLYACETAL	(NATURAL)
1	PPS	(BLACK) UL94V-0	5	PBT	(BLACK) UL94V-0

CODE NO. (OLD) CL	DRAWN E. KUNII '05 10.14	DESIGNED E. KUNII '05 10.14	CHECKED .	APPROVED M. SATO '05 10.17	RELEASED .
DRAWING NO. EDC3-113841-71		PART NO. HR30-8J-12S(71)			
SCALE 5 : 1		UNITS mm		CODE NO. CL130-2019-0-71	

TO
R

X-ON Electronics

Largest Supplier of Electrical and Electronic Components

Click to view similar products for [Circular Push Pull Connectors](#) category:

Click to view products by [Hirose](#) manufacturer:

Other Similar products are found below :

[6407-249V-11273P](#) [6408-201V-13273](#) [6408-202V-13343](#) [6408-202V-17343](#) [EZG.0B.309.CLN](#) [FFA.2S.310.ZLA](#) [FGA.1B.307.CYCD72Z](#)
[FGJ.1B.304.CLLD76](#) [FGJ.1B.306.CWLD72](#) [FGJ.3B.304.CYMD10Z](#) [FGJ.3B.304.CYMD82Z](#) [PCS.01.250.DLLE24](#) [PHG.0K.305.CYMC40Z](#)
[PHG.1K.308.CLLK85](#) [PKG.M0.6BL.LZ](#) [PLC.M1.0SL.LA](#) [GMA.10.290.DN](#) [GMA.3B.090.DA](#) [PRG.M0.6GL.LC52GZ](#) [PSA.1S.275.CTLC66](#)
[ABF.1S.250.NTA](#) [133020F](#) [1331ER193MZ](#) [1332M107MZ](#) [DTS26Z19-32JA-LC](#) [DTS26Z19-32SA](#) [DTS26Z19-32SA-LC](#) [DTS26Z23-55HA](#)
[DTS26Z23-55HA-LC](#) [DTS26Z23-55JA-LC](#) [EAJ.1B.306.CWA](#) [ECG.XB.312.CLL](#) [1589430-2](#) [EEA.0B.305.CLN](#) [EEA.0B.309.CLL](#)
[ELF.00.250.NTL](#) [ERA.01.250.DLL](#) [BRD.0B.200.PCSG](#) [BRR.2S.200.PZVG](#) [HR10A-P](#) [CAH.M34.SLL.C72GZ](#) [CAJ.M34.SLL.C72GZ](#)
[300500](#) [ESB.00.303.NLL](#) [EXG.0B.309.HLN](#) [FFB.1S.250.CLAC27](#) [FGA.2B.306.CYCD92](#) [FGA.2B.306.CYCD92Z](#) [FGA.XB.312.CLAD72](#)
[FGJ.1B.302.CYMD62](#)