

Miniature Waterproof Plastic Connectors

HR30 Series



Mated dimensions

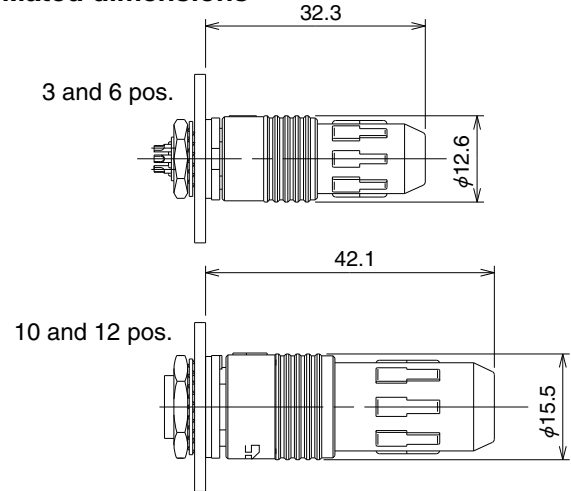


Fig.1

■ Features

1. Small-size with low profile

3, 6 contacts : Maximum outer diameter $\phi 12.6$ mm
Mated length 32.3mm (from the panel surface)

10, 12 contacts : Maximum outer diameter $\phi 15.5$ mm
Mated length 42.1mm (from the panel surface)

These small, compact connectors offer unique features available only from Hirose.

2. Waterproof construction

IP67 and 68 waterproof construction in the mated state

IP67 : Left submerged in water at a depth of 1m for 30 minutes

IP68 : Left submerged in water at a depth of 2m for 14 days

3. Push/pull lock

Waterproof connectors feature an easy to operate push/pull locks developed with our exclusive technology.

4. Light weight

3 and 6 contacts: 6g (plug + receptacle)

10 and 12 contacts: 9g (plug + receptacle)

5. Clamp structure

Our proprietary clamping method allows clamping the cable by simply tightening the cord ring.

6. Easy mating operation

The plug can be securely locked while holding it in your hand while mating. (Fig.2)

7. Mis-insertion prevention

Mating portions are polarized to avoid improper mating and connector damage.

8. Mating mark

Both the plug and the receptacle feature a white index mark on them which is used to quickly align the two interfaces for proper mating.(Fig.3)

9. Complies with the RoHS requirements

In consideration of environmental issues, we use only materials that comply with the RoHS Directive.

Lock/release operation

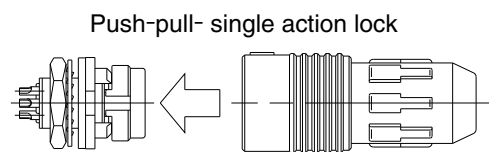


Fig.2



Fig.3

■ Product Specifications

| | | | | |
|---------|----------------|--|-----------------------------|----------------|
| Ratings | Current rating | 5A (3 pos.) 2A (6,10,12 pos.) | Operation Temperature Range | -25°C to +85°C |
| | Voltage rating | 100V AC,140V DC(3,6 pos.) 30V AC,42V DC(10,12 pos.) | Storage Temperature Range | -10°C to +60°C |

| Characteristic | Specification | Conditions |
|---------------------------------|--|--|
| 1.Contact resistance | 5mΩ max. (3 pos.) 15mΩ max. (Solder type : 6, 10, and 12 pos.) 30mΩ max. (Through hole type: 6 and 12 pos.) | 1A DC |
| 2.Insulation resistance | 1000MΩ min. | 100V DC |
| 3.Withstanding voltage | No flashover or insulation breakdown | 300V AC / 1minute |
| 4.Vibration | No electrical discontinuity of 10μs or more | Frequency : 10 to 55 Hz, single amplitude of 0.75mm, 1 cycle= 5min, 10 cycles in each of the 3 directions. |
| 5.Durability (mating/un-mating) | Contact resistance 10mΩ min.(3 pos.) Contact resistance 30mΩ min. (Solder type: 6, 10, and 12 pos.) Contact resistance 100mΩ min. (Through hole type: 6 and 12 pos.) | 1000 cycles |
| 6.Temperature cycle | Insulation resistance 100MΩ min. | (-55°C : 30 minutes → Room temperature : 10 to 15 minutes → +85°C : 30 minutes → Room temperature : 10 to 15 minutes) for 5 cycles |
| 7.Humidity resistance | Insulation resistance 10MΩ min. (when humidity high) 100MΩ min. (when dry) | 96 hours at temperature of 40°C and humidity of 90% to 95% |
| 8.Waterproof performance | No water penetration inside. | While mated with corresponding or protective cap submerged at depth of 1m for half hour. |

■ Material / Finish

| Assembly | Component | Material | Finish | Remarks |
|-----------------------------|-----------------|---|-----------------------|---------|
| Plug | Insulator | PPS | Black | UL94V-0 |
| | | PBT | Black | UL94V-0 |
| | | Polyacetal | Natural | —— |
| | Gasket | Silicone rubber, chloroprene rubber | Red/Black | —— |
| | Contacts | Brass, phosphor bronze, Copper compound metal | Gold plated | —— |
| Spring | Stainless steel | —— | —— | |
| Receptacles | Insulator | PPS | Black | UL94V-0 |
| | Gasket | Chloroprene rubber | Black | —— |
| | Contacts | Brass, phosphor bronze, Copper compound metal | Gold plated | —— |
| | Hexagonal nut | Zinc alloy | Chromate | —— |
| Washer | Phosphor bronze | Nickel plated | —— | |
| Crimp contact (male/female) | Contacts | Phosphor bronze | Selective gold plated | —— |

■ Product Number Structure

Refer to the chart below when determining the product specifications from the product number.
Please select from the product numbers listed in this catalog when placing orders.

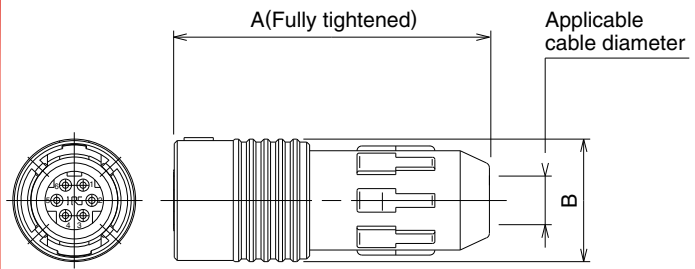
HR30 - 6 P A - 6 S C (* *)

①
②
③
④
⑤
⑥
⑦
⑧

| | |
|--|---|
| ① Model name : HR30 | ⑤ Number of Contacts : 3, 6, 10 and 12 |
| ② Shell size : Outside diameter/plug mating side | ⑥ Contact type S : Female contact P : Male contact |
| ③ Connector type : P : Plug R : Receptacle J : Jack | ⑦ Contact wiring type Blank : Solder C : Crimping D : Through hole |
| ④ Variation Blank : Standard A : Fine wire B : Over mold type | ⑧ Other specifications: A two-digit character is added to indicate other specifications as needed. |

■ Plugs

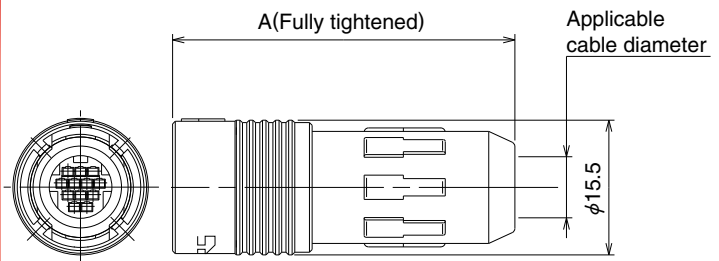
● Solder Type



(Representative example)

| Part No. | HRS No. | A | B | Applicable cable diameter range | Solder pot inner diameter | Weight |
|-----------------|---------------|------|----------|---------------------------------|---------------------------|--------|
| HR30-6P-3S(31) | 130-0004-1 31 | 29.8 | 12.6 | 4.2 to 5 | 1.1 mm | 4g |
| HR30-6P-6S(31) | 130-0010-4 31 | 30.3 | | | 0.8 mm | |
| HR30-6P-6P(31) | 130-0009-5 31 | | | 29.8 | 1.1 mm | |
| HR30-6PA-3S(71) | 130-0021-0 71 | 30.3 | 15.5 | 3.5 to 4.3 | 0.8 mm | 6.7g |
| HR30-6PA-6S(71) | 130-0019-9 71 | | | | 1.1 mm | |
| HR30-6PA-6P(71) | 130-0020-8 71 | 39.8 | 6.2 to 7 | 0.6 mm | | |
| HR30-7P-12S(71) | 130-0027-7 71 | | | | | |
| HR30-8P-12P(71) | 130-0026-4 71 | | | | | |

● Crimp Type

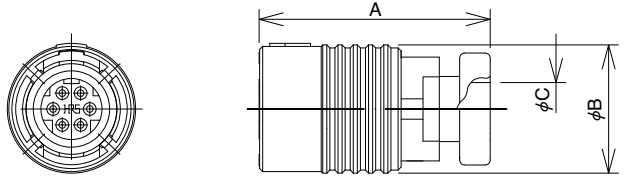


(Representative example)

| Part No. | HRS No. | A | Applicable cable diameter range | Crimp contact | Weight |
|------------------|---------------|------|---------------------------------|---------------|--------|
| HR30-7P-10SC(71) | 130-0013-2 71 | 39.8 | 6.2 to 7 | HR30-SC-211 | 6g |
| HR30-7P-12SC(71) | 130-0014-5 71 | | | HR30-PC-211 | |
| HR30-8P-12PC(71) | 130-0015-8 71 | | | | |

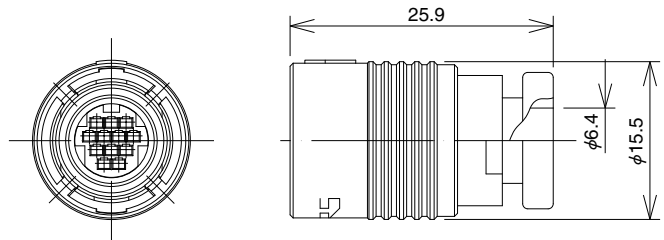
■ Plug for overmolds

● Solder Type



| Part No. | HRS No. | A | B | C | Solder pot inner diameter | Weight |
|--------------|------------|------|------|-----|---------------------------|--------|
| HR30-6PB-3S | 130-0034-2 | 22.7 | 12.6 | 5.2 | 1.1 mm | 3.1g |
| HR30-6PB-6S | 130-0032-7 | | | | 0.8 mm | 2.9g |
| HR30-6PB-6P | 130-0037-0 | 23.2 | | | | |
| HR30-7PB-12S | 130-0035-5 | 25.9 | 15.5 | 6.4 | 0.6 mm | 4.7g |
| HR30-8PB-12P | 130-0030-1 | | | | | 4.5g |

● Crimp Type

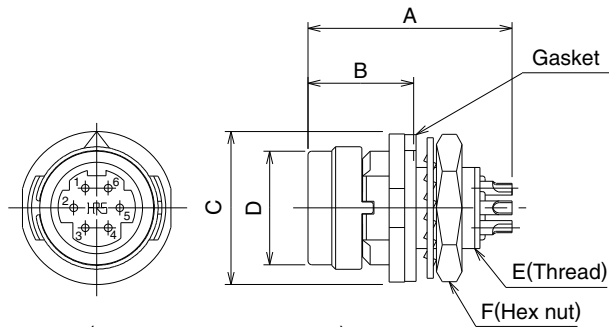
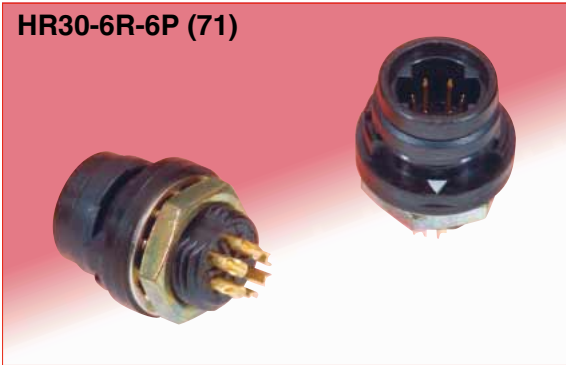


| Part No. | HRS No. | Crimp contact | Weight |
|---------------|------------|---------------|--------|
| HR30-7PB-10SC | 130-0036-8 | HR30-SC-211 | 4.1g |
| HR30-7PB-12SC | 130-0033-0 | | |
| HR30-8PB-12PC | 130-0031-4 | HR30-PC-211 | 4.3g |

■ Receptacles

● Solder Type

HR30-6R-6P (71)



(Representative example)

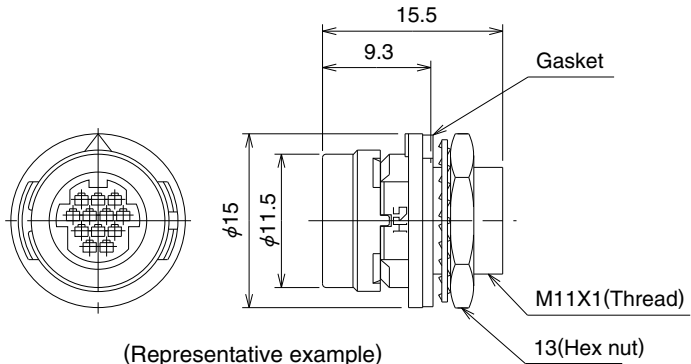
| Part No. | HRS No. | A | B | C | D | E | F | Solder pot inner diameter | Weight |
|-----------------|---------------|------|-----|----|------|---------|----|---------------------------|--------|
| HR30-6R-3P(71) | 130-1003-4 71 | 16 | 8.3 | 12 | 8.9 | M8×0.75 | 10 | 1.1mm | 2g |
| HR30-6R-6P(71) | 130-1009-0 71 | | | | | | | 0.8mm | |
| HR30-6R-6S(71) | 130-1008-8 71 | 18.4 | | | | | | | |
| HR30-7R-12P(31) | 130-1016-6 31 | 18.6 | 9.3 | 15 | 11.5 | M11×1 | 13 | 0.6mm | 3.4g |
| HR30-8R-12S(31) | 130-1018-1 31 | | | | | | | | |

● Crimp Type

HR30-7R-12PC (31)



Shown with contacts installed.

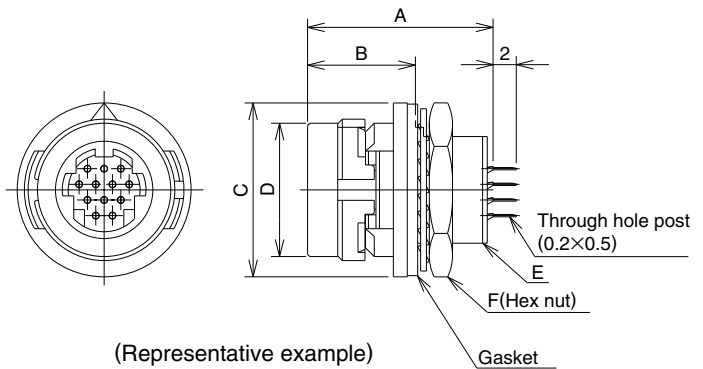


(Representative example)

| Part No. | HRS No. | Crimp contact | Weight |
|------------------|---------------|---------------|--------|
| HR30-7R-10PC(31) | 130-1012-5 31 | HR30-PC-211 | 3g |
| HR30-7R-12PC(31) | 130-1013-8 31 | | |
| HR30-8R-12SC(31) | 130-1014-0 31 | HR30-SC-211 | |

● Through hole Type

HR30-8R-12SD (31)

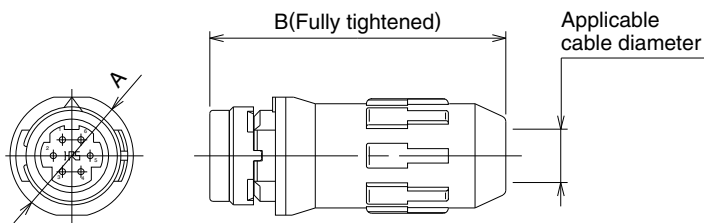


(Representative example)

| Part No. | HRS No. | A | B | C | D | E | F | Weight |
|------------------|---------------|------|-----|----|------|---------|----|--------|
| HR30-6R-6PD(71) | 130-1020-3 71 | 14.9 | 8.3 | 12 | 8.9 | M8×0.75 | 10 | 2g |
| HR30-6R-6SD(71) | 130-1021-6 71 | 15.2 | | | | | | |
| HR30-7R-12PD(31) | 130-1017-9 31 | 16 | 9.3 | 15 | 11.5 | M11×1 | 13 | 3.4g |
| HR30-8R-12SD(31) | 130-1019-4 31 | | | | | | | |

■ Jacks

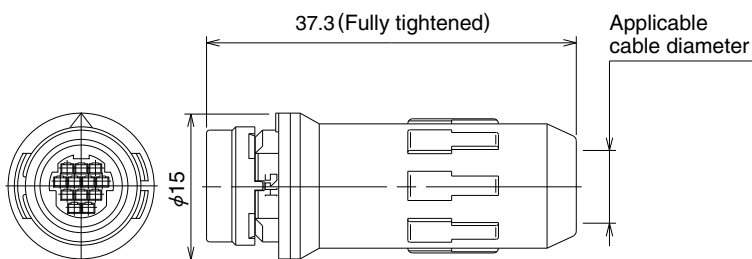
● Solder Type



(Representative example)

| Part No. | HRS No. | A | B | Applicable cable diameter range | Solder pot inner diameter | Weight |
|-----------------|---------------|----|------|---------------------------------|---------------------------|--------|
| HR30-6J-6P(31) | 130-2009-6 31 | 12 | 28.8 | 4.2 to 5 | 0.8 mm | 3g |
| HR30-6JA-6P(71) | 130-2018-7 71 | | | 3.5 to 4.3 | | |
| HR30-7J-12P(71) | 130-2020-9 71 | 15 | 37.3 | 6.2 to 7 | 0.6 mm | 5.7g |
| HR30-8J-12S(71) | 130-2019-0 71 | | | | | 5.9g |

● Crimp Type

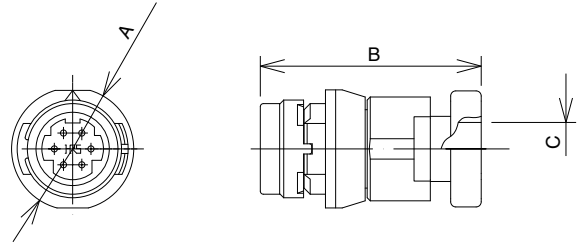


(Representative example)

| Part No. | HRS No. | Applicable cable diameter range | Crimp contact | Weight |
|------------------|---------------|---------------------------------|---------------|--------|
| HR30-7J-10PC(71) | 130-2015-9 71 | 6.2 to 7 | HR30-PC-211 | 5g |
| HR30-7J-12PC(71) | 130-2017-4 71 | | | |
| HR30-8J-12SC(71) | 130-2016-1 71 | | HR30-SC-211 | |

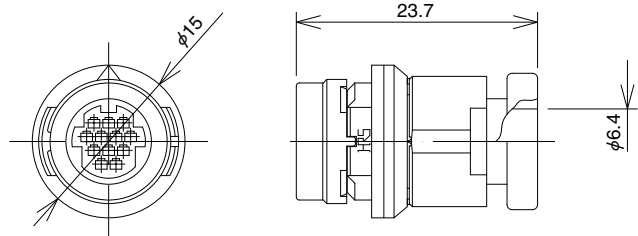
■ Jack for overmolds

● Solder Type



| Part No. | HRS No. | A | B | C | Solder pot inner diameter | Weight |
|--------------|------------|------|------|-----|---------------------------|--------|
| HR30-6JB-3P | 130-2029-0 | 12.7 | 21.7 | 5.2 | 1.1mm | 2.3g |
| HR30-6JB-6P | 130-2021-1 | 12 | | | 0.8mm | 2.2g |
| HR30-6JB-6S | 130-2028-0 | 12.7 | | | 2.3g | |
| HR30-7JB-12P | 130-2023-7 | 15 | 23.7 | 6.4 | 0.6mm | 3.6g |
| HR30-8JB-12S | 130-2024-0 | | | | | 4.1g |

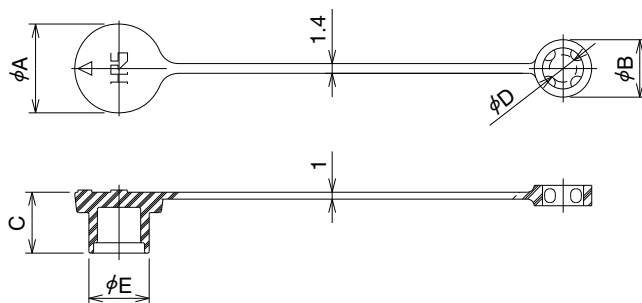
● Crimp Type



| Part No. | HRS No. | Crimp contact | Weight |
|---------------|------------|---------------|--------|
| HR30-7JB-10PC | 130-2025-2 | HR30-PC-211 | 3.1g |
| HR30-7JB-12PC | 130-2022-4 | | |
| HR30-8JB-12SC | 130-2026-5 | HR30-SC-211 | |

■ Caps

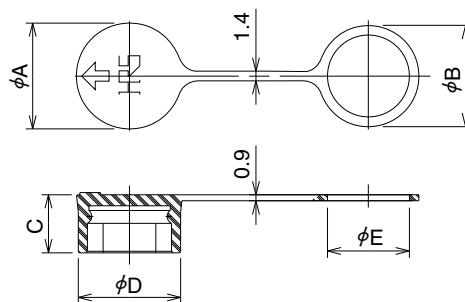
● For Plugs



(Representative example)

| Part No. | HRS No. | A | B | C | D | E | Applicable cable diameter | Weight |
|---------------|---------------|----|------|------|---|------|---------------------------|--------|
| HR30-6P-C(31) | 130-3000-7 31 | 13 | 8.4 | 8.9 | 4 | 8.8 | φ4.2 to 5 | 1g |
| HR30-7P-C(31) | 130-3004-8 31 | 16 | 10.4 | 10.5 | 6 | 11.4 | φ6.2 to 7 | 2g |
| HR30-8P-C(31) | 130-3003-5 31 | | | | | | | |

● For Receptacle



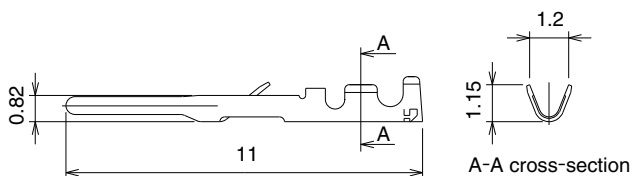
(Representative example)

| Part No. | HRS No. | A | B | C | D | E | Remarks | Weight |
|---------------|---------------|------|------|-----|------|------|--|--------|
| HR30-6R-C(31) | 130-3001-0 31 | 12.6 | 11.8 | 7.5 | 12.1 | 9.1 | This cap fits each size of the HR30-7R and HR30-8R receptacles | 1g |
| HR30-7R-C(31) | 130-3002-2 31 | 15.5 | 14.8 | 8.5 | 15 | 12.1 | | |

Note : When using these caps, do not use the gasket that is normally supplied with the receptacle.
The "B" diameter end of the receptacle cap will serve as the gasket.

◆ Crimp Contacts

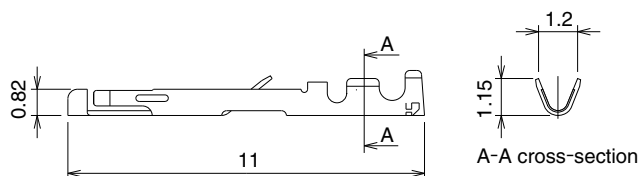
Male contact



(Representative example)

| Type | Part No. | HRS No. | Packaging type | Weight |
|---------------|-------------|------------|----------------|-------------|
| Loose contact | HR30-PC-111 | 130-0022-3 | 100pcs/pack | 0.03g/1 pin |
| Reel contact | HR30-PC-211 | 130-0016-0 | 10,000pcs/reel | 0.03g/1 pin |

Female contact

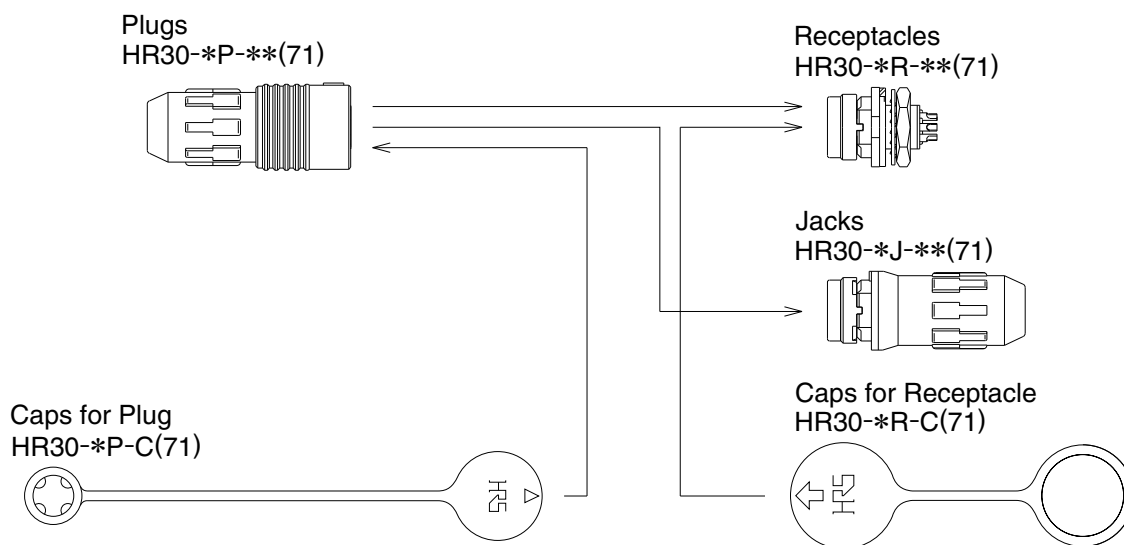


(Representative example)

| Type | Part No. | HRS No. | Packaging type | Weight |
|---------------|-------------|------------|----------------|-------------|
| Loose contact | HR30-SC-111 | 130-0023-6 | 100pcs/pack | 0.03g/1 pin |
| Reel contact | HR30-SC-211 | 130-0017-3 | 10,000pcs/reel | 0.03g/1 pin |

Note : Use wire size 26 to 30 AWG with a jacket diameter of 1 mm max.

◆ Diagrams of Connectors in Combination

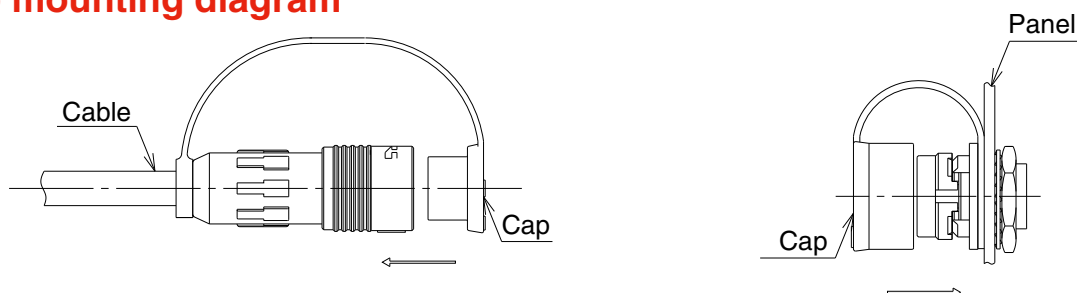


Note 1 : Please use connectors with compatible shell size and number of contacts. If you are using a male contact plug, please also use a corresponding product with a female receptacle and a jack.

Note 2 : Please install the applicable crimping contacts when using the crimping style connectors.
(Please refer to the manual for wiring work.)

Note 3 : When using the cap on the receptacle side, do not use the gasket that is normally supplied with the receptacle. The Hirose cap has the necessary gasket as part of the cap unit.

◆ Cap mounting diagram



◆ Applicable Tools

● Cable Assembly Tools

| Part No. | HRS No. | Applicable Connectors | | | |
|------------------|------------|-----------------------|--------------------|-----------------|--------------|
| | | Shell size | Connector type | No. of contacts | Contact type |
| HR30-6P-3S-T01 | 150-0220-1 | 6 | Plug | 3 | Female |
| HR30-6P-6S-T01 | 150-0214-9 | | | 6 | Female |
| HR30-6P-6P-T01 | 150-0221-4 | | | | Male |
| HR30-7P-10SC-T01 | 150-0228-3 | 7 | Plug | 10 | Female |
| HR30-7P-12SC-T01 | 150-0223-0 | | | 12 | Female |
| HR30-8P-12PC-T01 | 150-0227-0 | 8 | Plug | 12 | Male |
| HR30-6R-3P-T01 | 150-0225-5 | 6 | Receptacle Jack | 3 | Male |
| HR30-6R-6P-T01 | 150-0218-0 | | | 6 | Male |
| HR30-6R-6S-T01 | 150-0222-7 | | | | Female |
| HR30-7J-10PC-T01 | 150-0231-8 | 7 | Receptacle Jack | 10 | Male |
| HR30-7J-12PC-T01 | 150-0230-5 | | | | Male |
| HR30-8J-12SC-T01 | 150-0226-8 | 8 | | 12 | Female |

Note : Wiring for soldering or disassembly and assembly of plugs and jacks can be accomplished more efficiently when using the cable assembly tool.

● Tightening collar for back shell

| Part No. | HRS No. | Applicable Connectors |
|-------------|------------|-----------------------|
| HR30-6P-T02 | 150-0216-4 | 3 and 6 contacts |
| HR30-8P-T02 | 150-0224-2 | 10 and 12 contacts |

Note : The code ring tightening collar is used to tighten the cord ring to the specified torque.
(Please refer to the manual for assembly procedures.)

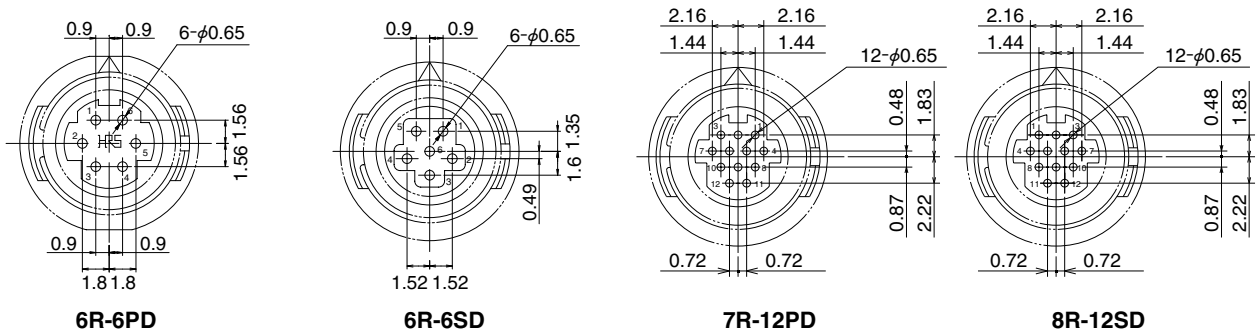


◆ Applicable Tools

| Type | Description | Part No. | HRS No. | Applicable contact | Applicable wire |
|-----------------|----------------------------|---------------|------------|----------------------------|-----------------|
| Manual | Manual crimping tool | HT-102/HR30-1 | 150-0229-6 | HR30-SC-111 | AWG26 to 30 |
| | | | | HR30-PC-111 | |
| Automatic | Automatic crimping machine | CM-105C | 901-0001-0 | — | — |
| | Applicator | AP105-HR30-1 | 901-2015-9 | HR30-SC-211 HR30-PC-211 | AWG26 to 30 |
| Extraction tool | | HR30-TP | 150-0219-2 | HR30-SC-111 | — |
| | | | | HR30-SC-211 | |
| | | | | HR30-PC-111 | — |
| | | | | HR30-PC-211 | |

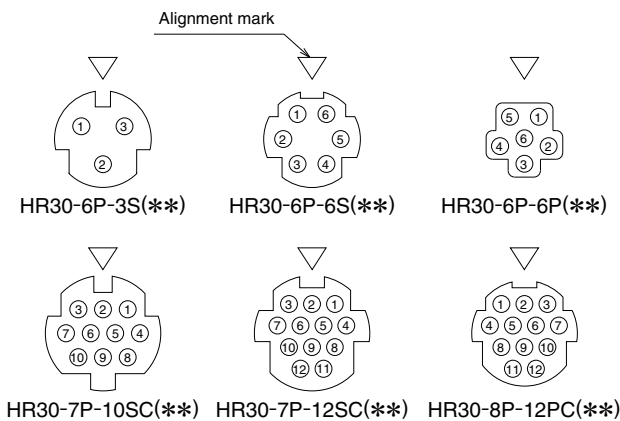


◆ Receptacle, Board Mounting Through Hole Pattern

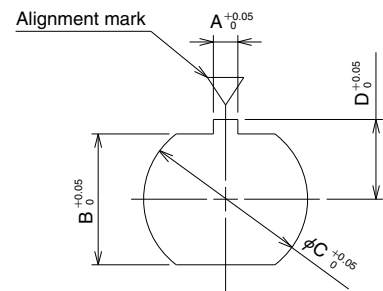


- Remark : 1. The receptacle through hole configuration depicts a view from the mating side of the connector.
 2. The above \triangle mark indicates the guide key position.
 3. The recommended board maximum thickness : 1.2mm.
 4. Tolerance of +0.03mm is recommended for the plated through hole location. Tolerance of +0.02mm is recommended for the plated through hole diameter.

◆ Contact Position Arrangement



◆ Panel Cutout



| | A | B | C | D | Panel Thickness |
|------------|------|------|-------|------|-----------------|
| 3,6 pos. | 1.25 | 6.45 | 8.05 | 3.95 | 0.7 to 2 |
| 10,12 pos. | 1.35 | 9.25 | 11.05 | 5.45 | 0.7 to 3 |

- Remarks : 1. The contact arrangement depicts a view from the wiring side.
 2. Installation is accomplished by securing the receptacle from the back side of the panel using the supplied hexagon nut. The tightening torque of the hexagon nut should be 0.5 N·m for 3, 6 contacts, and 0.8 N·m for 10, 12 contacts.

In addition, in order to prevent loosening, please apply Locktight 263 and Lockprimer 7649 manufactured by Henkel Japan Ltd., Tokyo.

◆ Assembly Procedures

Plug Assembly Sequence

| | A | B |
|----------------------------------|---------------------|------------|
| Solder type : 3 and 6 Contacts. | 2mm | 5.5mm max. |
| Solder type : 12 Contacts. | 2mm | 10mm max. |
| Crimp type : 10 and 12 Contacts. | $2 \frac{0}{.5}$ mm | 15 to 20mm |

Insert the cable in the following order : 1. Back shell, 2. cord clamp, 3. gasket, 4, spring and 5. locking collar. Prepare the cable end according to the dimensions shown in Table 1.

Note : When preparing the cable, use caution not to damage the insulation and conductors of the lead wires.

Solder type

Fix the P case block on the cable termination tool, and after preliminary soldering, solder for 3 to 4 seconds with the soldering iron at $350 \pm 10^\circ\text{C}$.

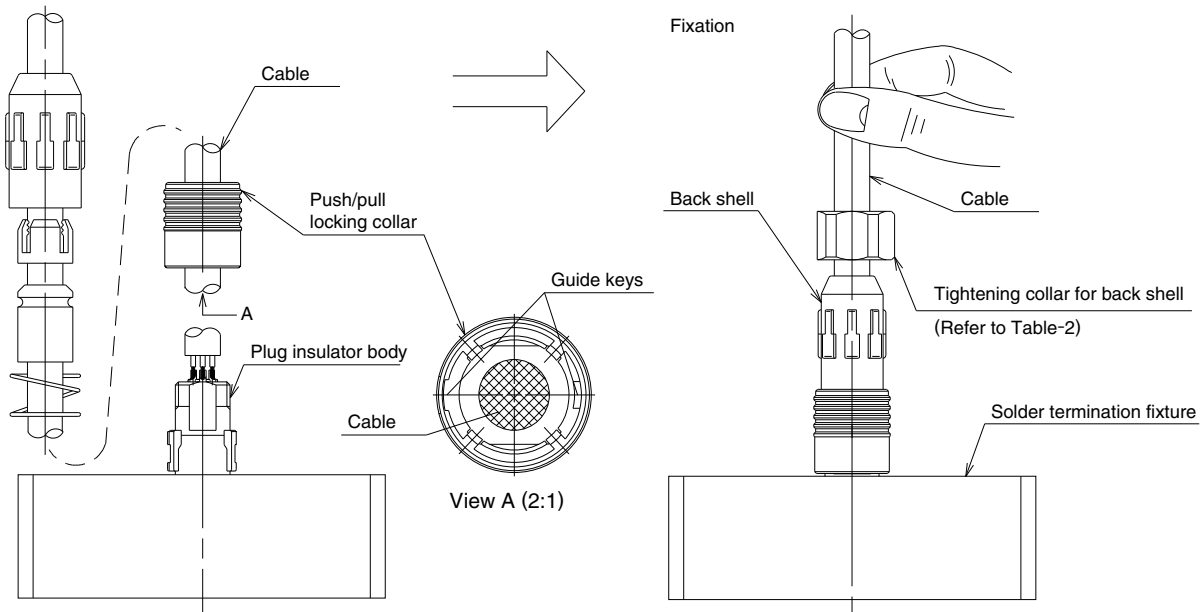
Note 1 : Take care to avoid creating cold solder joints and solder joints with voids or air holes in it.
Also check to make sure the solder joint is adequately fused between the lead wires and solder cup.

Note 2 : The P case block is a precision unit. Please use caution when soldering the P case block so it does not become damaged. Any damage could result in loss of the waterproof performance.

Crimp type

After crimping the appropriate contact to the cable lead wire, insert the terminated wire into the correct contact position on the P case block.

Note : After inserting the crimping wire/contact, slightly pull the lead wire and check if the crimping contact is properly seated into the P case block.



3

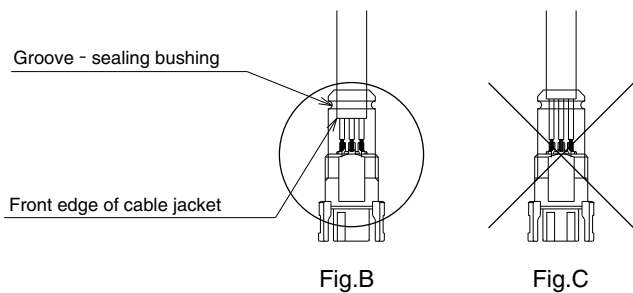


Table-2

| Connector | Back shell tightening collar size | Torque |
|---------------------|-----------------------------------|--------|
| 3 and 6 Contacts. | 16mm | 0.5N·m |
| 10 and 12 Contacts. | 18mm | 0.5N·m |

Insert the cable by fitting the coupling guide to the wire-connected P case block. Then, pass the cable through and assemble in the following order: 1. spring, gasket, 2 cord clamp, and 3. cord tube. Make sure when assembling it with the cord clamp and cord tube, to maintain the positional relations between the cable sheath end face and the concave area of the gasket as shown in Fig.B.

Note : Please install the cord tube using the cord tube tightening tool with the cord ring tightening torque shown in Table-2.

In addition, in order to prevent loosening, please apply Locktight 263 and Lockprimer 7649 manufactured by Henkel Japan Ltd., Tokyo.

When screwing in the cord tube, use your hand to hold the cable so that the cable will not rotate or twist and apply stress to the soldered wires. However, as the cable tends to be twisted slightly (just over one rotation), we recommend that you twist it in the opposite direction in advance.

◆ Points to note when using Heat shrink tubing

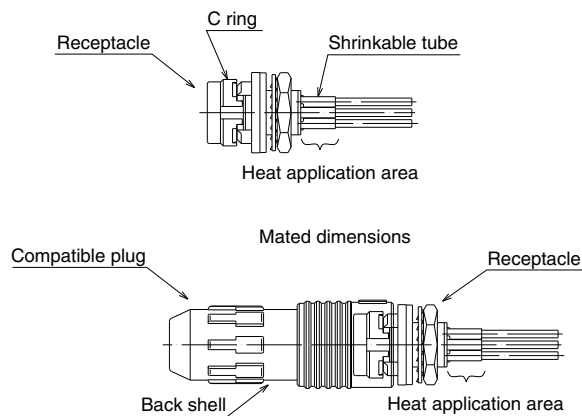
We recommend that you use shrink tubing over the solder connections in order to protect the soldered wires and to enhance insulation. However, please be careful when applying heat in this area when installing the shrink tube so excess heat does not bleed into or affect the resin parts as shown in the figure below.

If the product does become heated beyond the area shown and into the resin parts, please make sure to prevent the following.

- ① Deformation of the C ring. This could result in prevention of locking during mating.
- ② Melting of some parts.

To prevent the deformation of the C rings of the receptacles and the jack, we recommend heat to be applied after mating with a compatible plug.

Before heating, please mate the plug in the receptacle securely, then pull the back shell for checking whether it is locked properly. If it is heated with semi-fitting, C ring may be thermally deformed with shrinking condition and it may not be locked properly.

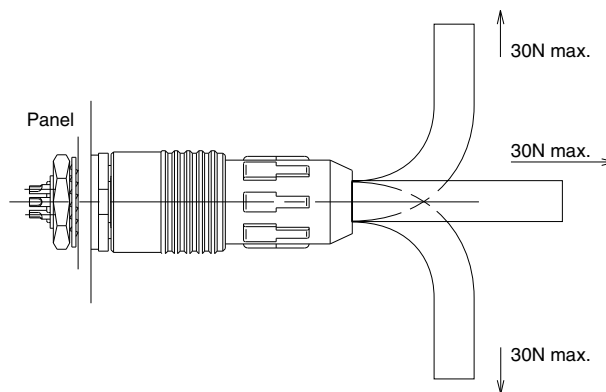


◆ General usage notes

| 1. Mating | 2. Un-mating |
|--|---|
| | |
| <p>When mounting, smooth mating will be achieved by holding plug in any are “A” and aligning the arrow of the plug with that of the receptacle, then pushing the plug straight in.</p> | <p>When removing the plug from its connected condition, hold the plug by push/pull locking collar (area “B”) and pull straight off.</p> |

◆ Precautions

1. Make sure the power is off before mating or un-mating the connector.
2. When mating the connector, push it on with a force of a least 30N.
After mating, pull slightly on the connector to check for proper mating and to ensure the connector is firmly locked to the receptacle.
3. After mating the connector, do not apply a force over 30N to the cable in the directions shown by the arrows. An excessive load can lead to connector damage.



4. To maintain the waterproof performance, cable clamping force and cable stability, please use a cable within the recommended for cable diameters.
Because the performance will differ depending on the cable structure, make sure to check all specifications of the cable assembly before use or production.
5. Please assemble and install the connector and components with the specified tightening torque.
If the tightening torque is too weak or too strong, loosening or breakage can occur.
6. Please contact Hirose if your application requires compliance with the Electrical Appliance and Meterial Safety Act.

USA:

HIROSE ELECTRIC (U.S.A.), INC. HEADQUARTERS CHICAGO OFFICE
2300 Warrenville Road, Suite 150,
Downers Grove, IL 60515
Phone : +1-630-282-6700
<http://www.hirose.com/us/>

USA:

HIROSE ELECTRIC (U.S.A.), INC. SAN JOSE OFFICE
2841 Junction Ave, Suite 200
San Jose, CA. 95134
Phone : +1-408-253-9640
Fax : +1-408-253-9641
<http://www.hirose.com/us/>

USA:

HIROSE ELECTRIC (U.S.A.), INC. DETROIT OFFICE (AUTOMOTIVE)
17197 N. Laurel Park Drive, Suite 253,
Livonia, MI 48152
Phone : +1-734-542-9963
Fax : +1-734-542-9964
<http://www.hirose.com/us/>

USA:

HIROSE ELECTRIC (U.S.A.), INC. BOSTON OFFICE
300 Brickstone Square Suite 201,
Andover, MA 01810
Phone : +1-978-662-5255

THE NETHERLANDS:

HIROSE ELECTRIC EUROPE B.V.
Hogehillweg #8 1101 CC Amsterdam Z-0
Phone : +31-20-6557460
Fax : +31-20-6557469
<http://www.hirose.com/eu/>

GERMANY:

HIROSE ELECTRIC EUROPE B.V. GERMAN BRANCH
Schoenbergstr. 20, 73760 ostfildern
Phone : +49-711-456002-1
Fax : +49-711-456002-299
<http://www.hirose.com/eu/>

GERMANY:

HIROSE ELECTRIC EUROPE B.V. NUREMBERG OFFICE
Neumeyerstrasse 22-26, 90411 Nurnberg
Phone : +49-911 32 68 89 63
Fax : +49-911 32 68 89 69
<http://www.hirose.com/eu/>

GERMANY:

HIROSE ELECTRIC EUROPE B.V. HANOVER OFFICE
Bayernstr. 3, Haus C 30855 Langenhagen, Germany
Phone : +49-511 97 82 61 30
Fax : +49-511 97 82 61 35
<http://www.hirose.com/eu/>

FRANCE:

HIROSE ELECTRIC EUROPE B.V. PARIS OFFICE
130 Avenue Joseph Kessel, Bat E, 78960
Voisins le Bretonneux, France
Phone : +33-1-85764886
Fax : +33-1-85764823
<http://www.hirose.com/eu/>

UNITED KINGDOM:

HIROSE ELECTRIC EUROPE BV (UK BRANCH)
4 Newton Court, Kelvin Drive, Knowlhill,
Milton Keynes, MK5 8NH
Phone : +44-1908 202050
Fax : +44-1908 202058
<http://www.hirose.com/eu/>

CHINA:

HIROSE ELECTRIC (CHINA) CO., LTD. (SHANGHAI, HEADQUARTERS)
18, Enterprise Center Tower 2, 209# Gong He
Road, Jing'an District, Shanghai, CHINA 200070
Phone : +86-21-6391-3355
Fax : +86-21-6391-3335
<http://www.hirose.com/cn/>

CHINA:

HIROSE ELECTRIC (CHINA) CO.,LTD. BEIJING BRANCH
A1001, Ocean International Center, Building 56# East 4th
Ring Middle Road, ChaoYang District, Beijing, 100025
Phone : +86-10-5165-9332
Fax : +86-10-5908-1381
<http://www.hirose.com/cn/>

CHINA:

HIROSE ELECTRIC (CHINA) CO., LTD. SHENZHEN BRANCH
Room 09-13, 19/F, Office Tower Shun Hing Square, Di Wang Commercial Centre,
5002 Shen Nan Dong Road, Shenzhen City, Guangdong Province, 518008
Phone : +86-755-8207-0851
Fax : +86-755-8207-0873
<http://www.hirose.com/cn/>

HONG KONG:

HIROSE ELECTRIC HONGKONG TRADING CO., LTD.
Room 1001, West Wing, Tsim Sha Tsui Centre, 66
Mody Road, Tsim Sha Tsui East, Kowloon, Hong Kong
Phone : +852-2803-5338
Fax : +852-2591-6560
<http://www.hirose.com/hk/>

TAIWAN:

HIROSE ELECTRIC TAIWAN CO., LTD.
103 8F, No.87, Zhengzhou Rd., Taipei
Phone : +886-2-2555-7377
Fax : +886-2-2555-7355
<http://www.hirose.com/tw/>

KOREA:

HIROSE KOREA CO.,LTD.
143, Gongdan 1-daero, Siheung-si,
Gyeonggi-do, 15084, Korea
Phone : +82-31-496-7000
Fax : +82-31-496-7100
<http://www.hirose.co.kr/>

SINGAPORE:

HIROSE ELECTRIC SINGAPORE PTE. LTD.
03, Anson Road, #20-01, Springleaf Tower,
Singapore 079909
Phone : +65-6324-6113
Fax : +65-6324-6123
<http://www.hirose.com/sg/>

INDIA:

HIROSE ELECTRIC SINGAPORE PTE. LTD. DELHI LIAISON OFFICE
Office NO.552, Regus-Green Boulevard, Level5, Tower C,
Sec62, Plot B-9A, Block B, Noida, 201301, Uttar Pradesh, India
Phone : +91-12-660-8018
Fax : +91-120-4804949
<http://www.hirose.com/sg/>

INDIA:

HIROSE ELECTRIC SINGAPORE PTE. LTD. BANGALORE LIAISON OFFICE
Unit No-403, 4th Floor, No-84, Barton Centre, Mahatma
Gandhi (MG) Road, Bangalore 560 001, Karnataka, India
Phone : +91-80-4120 1907
Fax : +91-80-4120 9908
<http://www.hirose.com/sg/>

MALAYSIA:

PENANG REPRESENTATIVE OFFICE
73-3-1, Ideal@The One, Jalan Mahsuri, Bayan
Lepas Penang, 11950, Malaysia
Phone : +604-648-5536
<http://www.hirose.com/sg/>

THAILAND:

BANGKOK OFFICE (REPRESENTATIVE OFFICE)
Unit 4703, 47th FL., 1 Empire Tower, South Sathorn
Road, Yannawa, Sathorn, Bangkok 10120 Thailand
Phone : +66-2-686-1255
Fax : +66-2-686-3433
<http://www.hirose.com/sg/>



HIROSE ELECTRIC CO.,LTD.

2-6-3,Nakagawa Chuoh,Tsuzuki-Ku,Yokohama-Shi 224-8540,JAPAN
TEL: +81-45-620-3526 Fax: +81-45-591-3726
<http://www.hirose.com>
<http://www.hirose-connectors.com>

X-ON Electronics

Largest Supplier of Electrical and Electronic Components

Click to view similar products for [Circular Push Pull Connectors](#) category:

Click to view products by [Hirose](#) manufacturer:

Other Similar products are found below :

[FEA.1B.308.CYCD72Z](#) [6408-201V-13273](#) [D38999/20ZC8JA](#) [D38999/20ZH21SA](#) [D38999/20ZH53SA](#) [D38999/20ZJ24SA](#)
[D38999/20ZJ29PA-LC](#) [D38999/20ZJ43HA](#) [D38999/20ZJ43PA-LC](#) [D38999/24ZC35BA](#) [D38999/24ZC4AA](#) [D38999/24ZC4SA-LC](#)
[D38999/24ZC8SA](#) [D38999/24ZC8SA-LC](#) [D38999/24ZC98BA](#) [D38999/24ZC98PA-LC](#) [D38999/24ZC98SA](#) [D38999/24ZC98SA-LC](#)
[D38999/24ZF11SA-LC](#) [D38999/24ZF32BA](#) [D38999/24ZF32PA-LC](#) [D38999/24ZF32SA-LC](#) [D38999/24ZF35BA](#) [D38999/24ZF35SA-LC](#)
[EXG.00.250.NTNY](#) [FFA.1S.302.CLAZ](#) [FFA.2E.306.CLAC70Z](#) [FFA.2S.310.ZLA](#) [FFG.1B.302.CYCD62](#) [FFG.1B.304.CLAD42Z](#)
[FGA.1B.302.CYCD62Z](#) [FGA.1B.304.CLAD62Z](#) [FGA.1B.305.CLAD76](#) [FGA.1B.307.CYCD72Z](#) [FGA.1B.308.CYCD42Z](#)
[FGA.1B.310.CLAD42](#) [FGA.1B.316.CLAD42](#) [FGA.1B.316.CLAD62Z](#) [FGA.1B.316.CLAD76](#) [FGE.1B.310.CLAD76](#) [FGG.3P.306.PLWD75G](#)
[FGJ.1B.306.CWLD62Z](#) [FPG.1B.307.CYCD52](#) [PCS.01.250.DLLE24](#) [FVG.0W.305.CLAC50](#) [PFC.1B.306.CLLD72](#) [PHG.0K.303.CYMC40Z](#)
[PHG.0K.305.CYMC40Z](#) [PHG.1B.306.CYMD76](#) [PHG.2B.310.CYMD92](#)