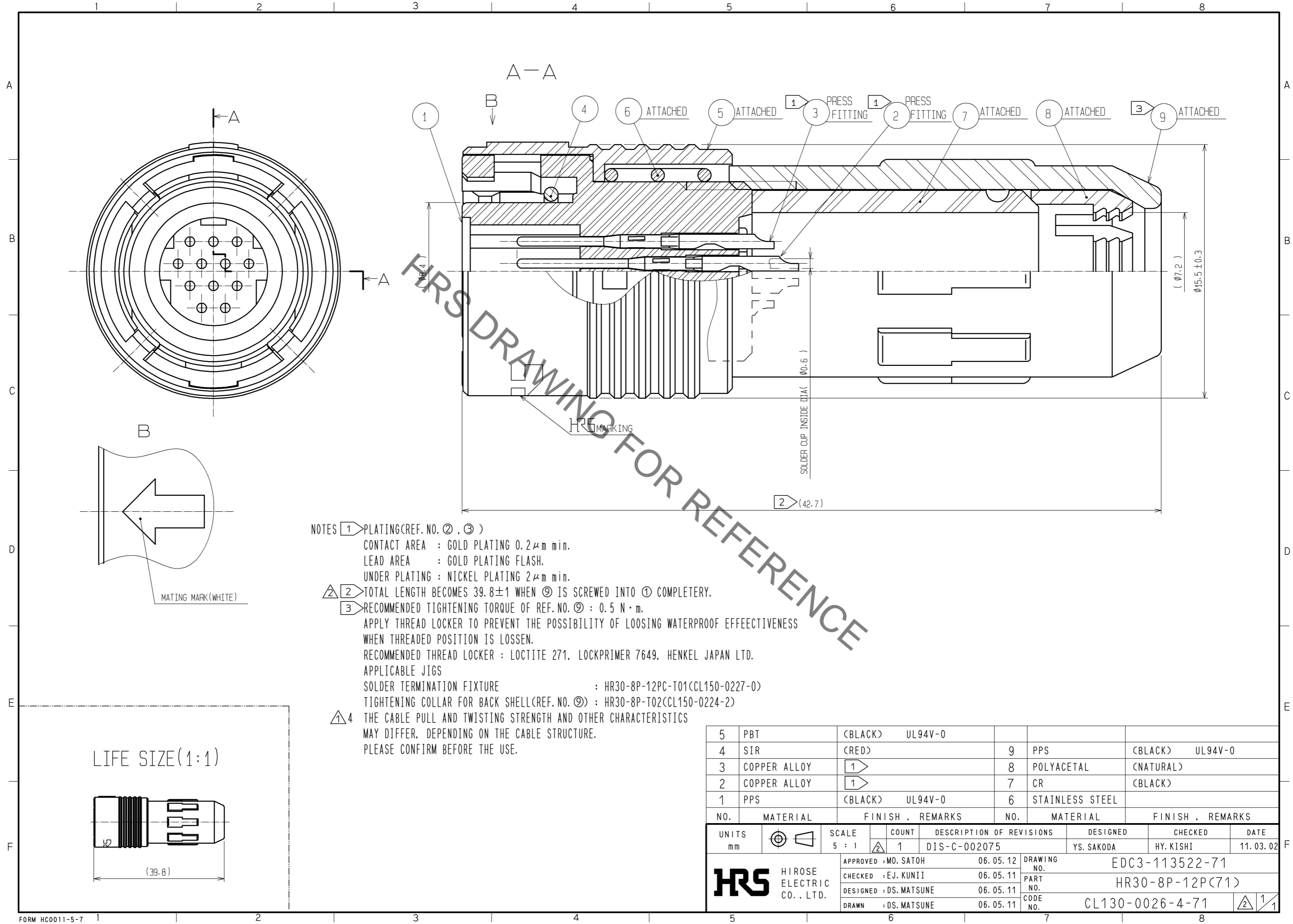


Aug.1.2021 Copyright 2021 HIROSE ELECTRIC CO., LTD. All Rights Reserved.
 In case of consideration for using Automotive equipment / device which demand high reliability, kindly contact our sales window correspondents.



NOTES

- ① PLATING(REF. NO. ②, ③)
 CONTACT AREA : GOLD PLATING 0.2μm min.
 LEAD AREA : GOLD PLATING FLASH.
 UNDER PLATING : NICKEL PLATING 2μm min.
- ② TOTAL LENGTH BECOMES 39.8±1 WHEN ⑨ IS SCREWED INTO ① COMPLETELY.
- ③ RECOMMENDED TIGHTENING TORQUE OF REF. NO. ⑨ : 0.5 N·m.
 APPLY THREAD LOCKER TO PREVENT THE POSSIBILITY OF LOOSING WATERPROOF EFFECTIVENESS
 WHEN THREADED POSITION IS LOSSEN.
 RECOMMENDED THREAD LOCKER : LOCTITE 271, LOCKPRIMER 7649, HENKEL JAPAN LTD.
 APPLICABLE JIGS
 SOLDER TERMINATION FIXTURE : HR30-8P-12PC-T01(CCL150-0227-0)
 TIGHTENING COLLAR FOR BACK SHELL(REF. NO. ⑨) : HR30-8P-T02(CCL150-0224-2)
- ④ THE CABLE PULL AND TWISTING STRENGTH AND OTHER CHARACTERISTICS
 MAY DIFFER, DEPENDING ON THE CABLE STRUCTURE.
 PLEASE CONFIRM BEFORE THE USE.

NO.	MATERIAL	FINISH	REMARKS	NO.	MATERIAL	FINISH	REMARKS
5	PBT	(BLACK)	UL94V-0				
4	SIR	(RED)		9	PPS	(BLACK)	UL94V-0
3	COPPER ALLOY	①		8	POLYACETAL	(NATURAL)	
2	COPPER ALLOY	①		7	CR	(BLACK)	
1	PPS	(BLACK)	UL94V-0	6	STAINLESS STEEL		

UNITS	SCALE	COUNT	DESCRIPTION OF REVISIONS	DESIGNED	CHECKED	DATE
mm	5 : 1	②	DIS-C-002075	YS. SAKODA	HY. KISHI	11.03.02

APPROVED	CHECKED	DESIGNED	DRAWN	DATE	DRAWING NO.	PART NO.	CODE NO.
MO. SATOH	EJ. KUNII	DS. MATSUNE	DS. MATSUNE	06.05.12	EDC3-113522-71	HR30-8P-12P(71)	CL130-0026-4-71

X-ON Electronics

Largest Supplier of Electrical and Electronic Components

Click to view similar products for [Circular Push Pull Connectors](#) category:

Click to view products by [Hirose](#) manufacturer:

Other Similar products are found below :

[6407-249V-11273P](#) [6408-201V-13273](#) [6408-202V-13343](#) [6408-202V-17343](#) [EZG.0B.309.CLN](#) [FFA.2S.310.ZLA](#) [FGA.1B.307.CYCD72Z](#)
[FGJ.1B.304.CLLD76](#) [FGJ.1B.306.CWLD72](#) [FGJ.3B.304.CYMD10Z](#) [FGJ.3B.304.CYMD82Z](#) [PCS.01.250.DLLE24](#) [PHG.0K.305.CYMC40Z](#)
[PHG.1K.308.CLLK85](#) [PKG.M0.6BL.LZ](#) [PLC.M1.0SL.LA](#) [GMA.10.290.DN](#) [GMA.3B.090.DA](#) [PRG.M0.6GL.LC52GZ](#) [PSA.1S.275.CTLC66](#)
[ABF.1S.250.NTA](#) [133020F](#) [1331ER193MZ](#) [1332M107MZ](#) [DTS26Z19-32JA-LC](#) [DTS26Z19-32SA](#) [DTS26Z19-32SA-LC](#) [DTS26Z23-55HA](#)
[DTS26Z23-55HA-LC](#) [DTS26Z23-55JA-LC](#) [EAJ.1B.306.CWA](#) [ECG.XB.312.CLL](#) [1589430-2](#) [EEA.0B.305.CLN](#) [EEA.0B.309.CLL](#)
[ELF.00.250.NTL](#) [ERA.01.250.DLL](#) [BRD.0B.200.PCSG](#) [BRR.2S.200.PZVG](#) [HR10A-P](#) [CAH.M34.SLL.C72GZ](#) [CAJ.M34.SLL.C72GZ](#)
[300500](#) [ESB.00.303.NLL](#) [EXG.0B.309.HLN](#) [FFB.1S.250.CLAC27](#) [FGA.2B.306.CYCD92](#) [FGA.2B.306.CYCD92Z](#) [FGA.XB.312.CLAD72](#)
[FGJ.1B.302.CYMD62](#)