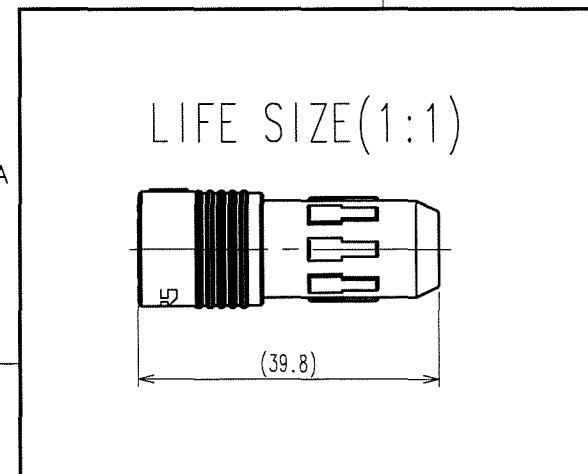
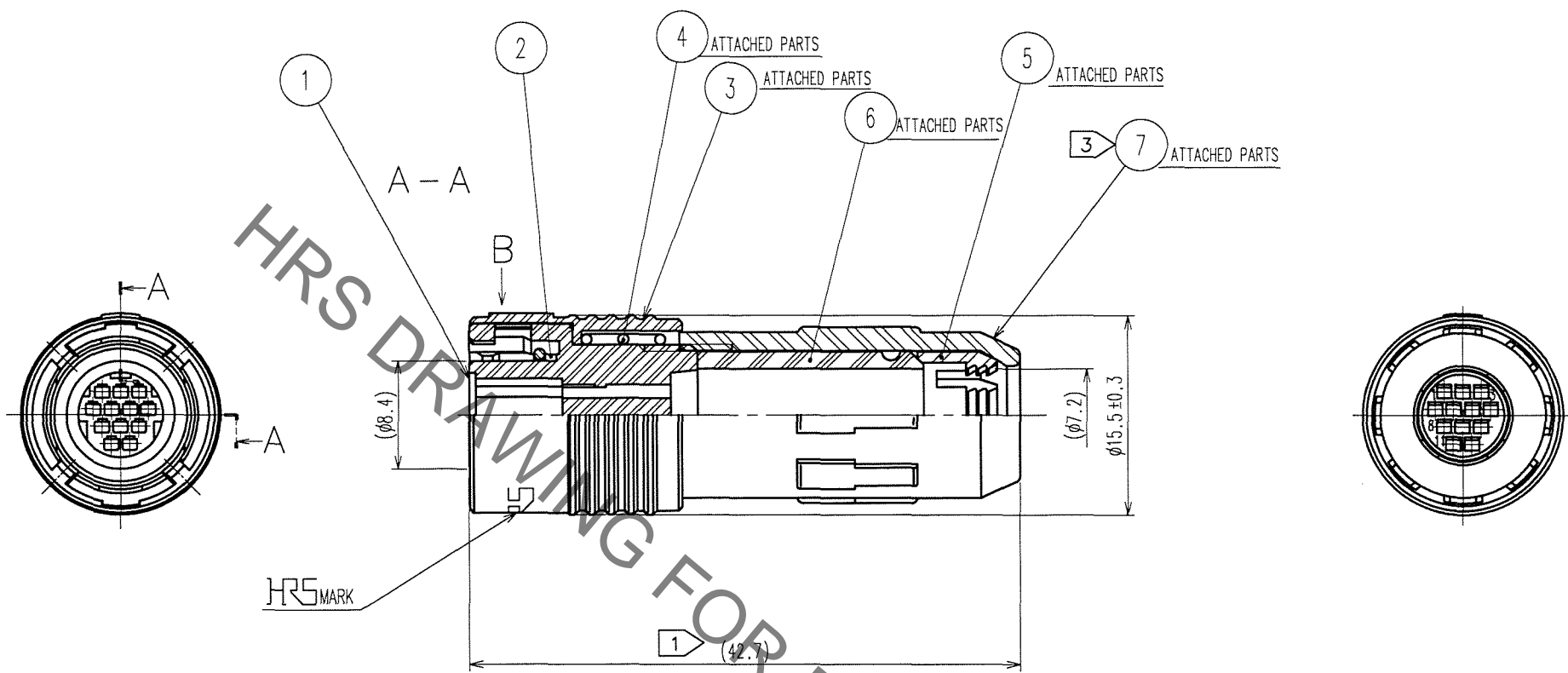


Aug.1.2021 Copyright 2021 HIROSE ELECTRIC CO., LTD. All Rights Reserved.
 In case of consideration for using Automotive equipment / device which demand high reliability, kindly contact our sales window correspondents.

1 2 3 4 5 6 7 8

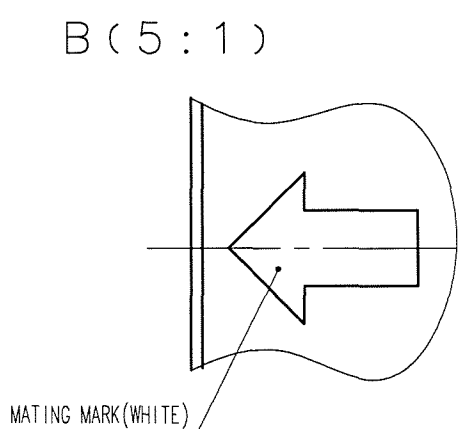


COUNT	DESCRIPTION OF REVISIONS	BY	CHKD	DATE	COUNT	DESCRIPTION OF REVISIONS	BY	CHKD	DATE
△ 2	DIS-C-000490	T.H	E.K	07.01.31	△				
△					△				
△					△				



NOTES

- 1 TOTAL LENGTH BECOMES 39.8±1 WHEN ⑦ IS SCREWED INTO ① COMPLETELY.
- 2 APPLICABLE CRIMPING CONTACT:HR30-PC-211
 (APPLICABLE WIRE:26-30 AWG WIRE JACKET DIAMETER:φ1 MAX)
 APPLICABLE CRIMP CONTACT EXTRACTION TOOL:HR30-TP
- △ 3 THE RECOMMENDED CLUMP TORQUE OF REF. NO. ⑦ TO BE 0.5N·m.
 LOCTITE 271, LOCPRIMER 7649, HENKEL JAPAN IS RECOMMENDED TO PREVENT REF. NO. ⑦ FROM LOOSENING.
 SPACER FOR ASSEMBLY IS AVAILABLE HR30-8P-T02.
 TABLE FOR ASSEMBLY IS AVAILABLE HR30-8P-12PC-T01.
- △ 4 THE CABLE PULL AND TWISTING STRENGTH AND OTHER CHARACTERISTICS MAY DIFFER,
 DEPENDING ON THE CABLE STRUCTURE.
 PLEASE CONFIRM BEFORE THE USE.



4	STAINLESS STEEL						
3	PBT	(BLACK)	UL94V-0	7	PPS	(BLACK)	UL94V-0
2	SIR	(RED)		6	CR	(BLACK)	
1	PPS	(BLACK)	UL94V-0	5	POLYACETAL	(NATURAL)	
NO.	MATERIAL	FINISH, REMARKS		NO.	MATERIAL	FINISH, REMARKS	

CODE NO.(OLD)	DRAWN	DESIGNED	CHECKED	APPROVED	RELEASED
	M.HANYU	H.NAGANO	E.KUNII	M.SATO	
	'05. 8. 8	'05. 8. 8	'05. 8. 10	'05. 8. 10	

	DRAWING NO.	PART NO.
SCALE	EDC3-112397-71	HR30-8P-12PC(71)
2 : 1	HRS HIROSE ELECTRIC CO., LTD	CODE NO.
UNITS		CL130-0015-8-71
mm		1/1

TO
R

1 2 3 4 5 6 7 8

X-ON Electronics

Largest Supplier of Electrical and Electronic Components

Click to view similar products for [Circular Push Pull Connectors](#) category:

Click to view products by [Hirose](#) manufacturer:

Other Similar products are found below :

[6407-249V-11273P](#) [6408-201V-13273](#) [6408-202V-13343](#) [6408-202V-17343](#) [EZG.0B.309.CLN](#) [FFA.2S.310.ZLA](#) [FGA.1B.307.CYCD72Z](#)
[FGJ.1B.304.CLLD76](#) [FGJ.1B.306.CWLD72](#) [FGJ.3B.304.CYMD10Z](#) [FGJ.3B.304.CYMD82Z](#) [PCS.01.250.DLLE24](#) [PHG.0K.305.CYMC40Z](#)
[PHG.1K.308.CLLK85](#) [PKG.M0.6BL.LZ](#) [PLC.M1.0SL.LA](#) [GMA.10.290.DN](#) [GMA.3B.090.DA](#) [PRG.M0.6GL.LC52GZ](#) [PSA.1S.275.CTLC66](#)
[ABF.1S.250.NTA](#) [133020F](#) [1331ER193MZ](#) [1332M107MZ](#) [DTS26Z19-32JA-LC](#) [DTS26Z19-32SA](#) [DTS26Z19-32SA-LC](#) [DTS26Z23-55HA](#)
[DTS26Z23-55HA-LC](#) [DTS26Z23-55JA-LC](#) [EAJ.1B.306.CWA](#) [ECG.XB.312.CLL](#) [1589430-2](#) [EEA.0B.305.CLN](#) [EEA.0B.309.CLL](#)
[ELF.00.250.NTL](#) [ERA.01.250.DLL](#) [BRD.0B.200.PCSG](#) [BRR.2S.200.PZVG](#) [HR10A-P](#) [CAH.M34.SLL.C72GZ](#) [CAJ.M34.SLL.C72GZ](#)
[300500](#) [ESB.00.303.NLL](#) [EXG.0B.309.HLN](#) [FFB.1S.250.CLAC27](#) [FGA.2B.306.CYCD92](#) [FGA.2B.306.CYCD92Z](#) [FGA.XB.312.CLAD72](#)
[FGJ.1B.302.CYMD62](#)