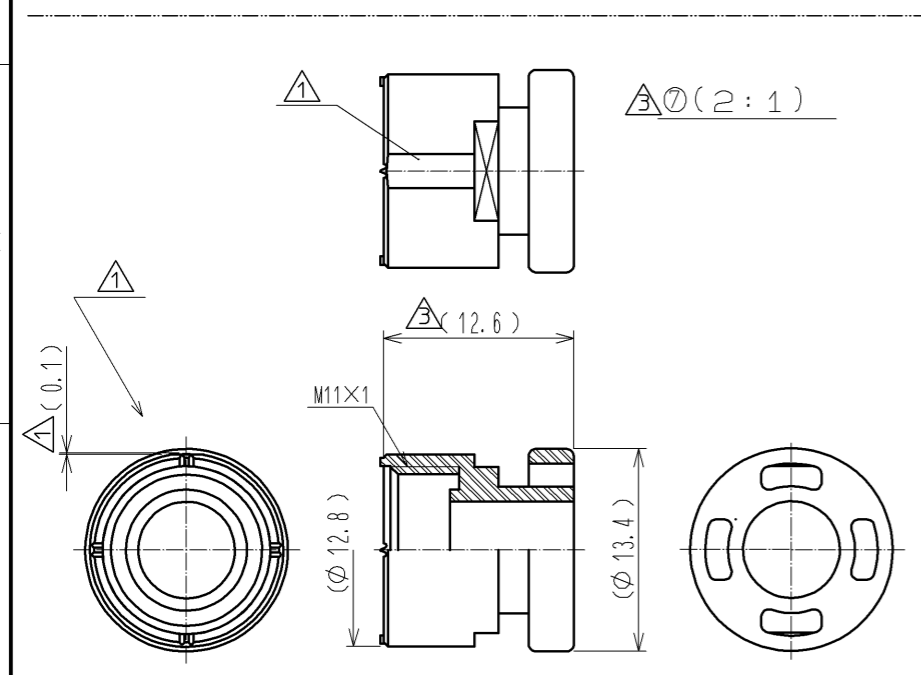
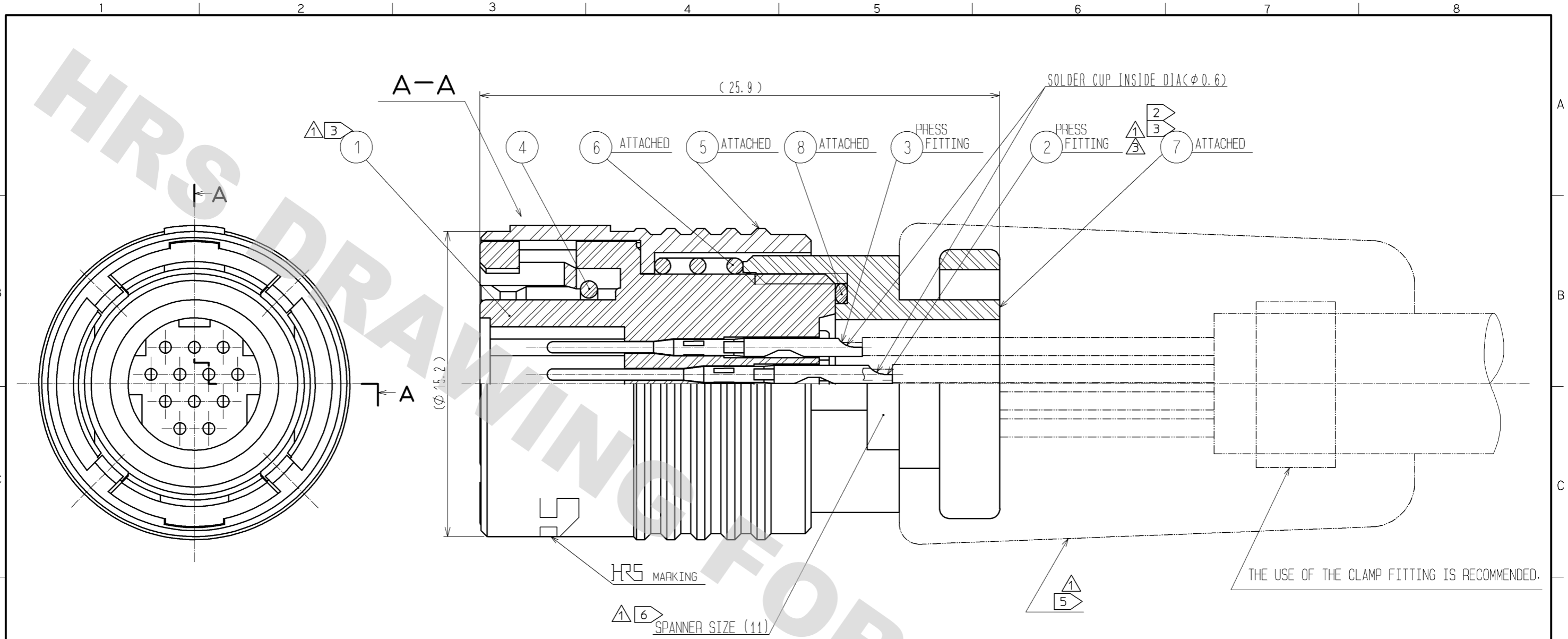
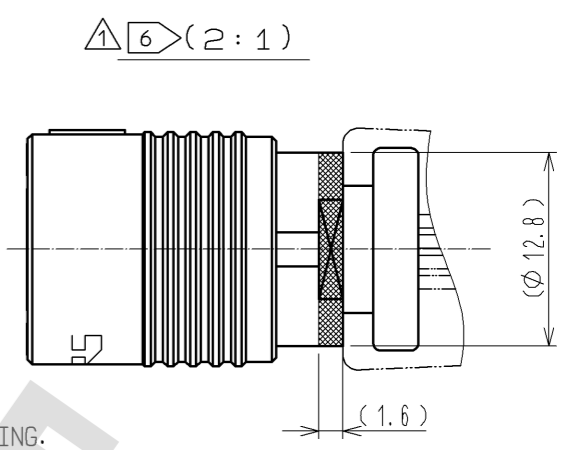


DRAWING FOR REFERENCE: This is subject to change without notice
08/11/2012



- NOTES
- ① PLATING(REF.NO. ②, ③)
CONTACT AREA : GOLD PLATING 0.2μm min.
LEAD AREA : GOLD PLATING FLASH.
UNDER PLATING : NICKEL PLATING 2μm min.
 - ② THE RECOMMENDED CLUMP TORQUE OF REF. NO. ⑦ IS 0.5N·m.
LOCTITE 271, LOCPRIMER 7649, HENKEL JAPAN LTD IS RECOMMENDED TO PREVENT REF. NO. ⑦ FROM LOOSENING.
 - ③ ROTATION EXAMPLES OF NO.① AND NO.⑦ ARE SHOWN.FOR OVERMOLDING NOTE THAT THE POSITION IS NOT ALWAYS THE SAME.
 - ④ APPLICABLE JIG
SOLDER TERMINATION FIXTURE : HR30-8P-12PC-TC01(CL150-0227-0)
 - ⑤ WHEN THIS PRODUCT ASSEMBLED, IT SHALL APPLY TO ETAD-C0198 AND BE OVERMOLDED BY CUSTOMER.
CABLE CLAMP STRENGTH, WATERPROOF PERFORMANCE AND OTHER PERFORMANCE DEPEND ON OVERMOLD.
WE RECOMMENDED CHECKING THE QUALITY BEFORE THE USAGE.
 - ⑥ THE MOLDING DIE FOR OVERMOLDING SHALL BE DESIGNED AS HOLDING DOWN THE AREA (SPANNER SETTING AREA(11) AND CIRCUMFERENCE OF (φ12.8))AS SHOWN IN THE DRAWING.



NO.	MATERIAL	FINISH	REMARKS	NO.	MATERIAL	FINISH	REMARKS
4	SILICONE RUBBER	(RED)		8	SILICONE RUBBER	(RED)	
3	COPPER ALLOY	①		7	POLYBUTYLENE TEREPHTHALATE	(BLACK) UL94V-0	
2	COPPER ALLOY	①		6	STAINLESS STEEL		
1	POLYPHENYLENE SULFIDE	(BLACK) UL94V-0		5	POLYBUTYLENE TEREPHTHALATE	(BLACK) UL94V-0	

UNITS	SCALE	COUNT	DESCRIPTION OF REVISIONS	DESIGNED	CHECKED	DATE
mm	5 : 1	3	DIS-C-001478	TY. SUZUKI	HY. KISHI	09.11.26

APPROVED	CHECKED	DESIGNED	DRAWN	DATE
MO. SATOH	HY. KOBAYASHI	HS. KAWASHIMA	TY. SUZUKI	09.02.04 09.02.02 09.02.02 09.01.24

DRAWING NO.	PART NO.	CODE NO.
EDC3-116274-00	HR30-8PB-12P	CL130-0030-1-00

X-ON Electronics

Largest Supplier of Electrical and Electronic Components

Click to view similar products for [Circular Push Pull Connectors](#) category:

Click to view products by [Hirose](#) manufacturer:

Other Similar products are found below :

[6407-249V-11273P](#) [6408-201V-13273](#) [6408-202V-13343](#) [6408-202V-17343](#) [EZG.0B.309.CLN](#) [FFA.2S.310.ZLA](#) [FGA.1B.307.CYCD72Z](#)
[FGJ.1B.304.CLLD76](#) [FGJ.1B.306.CWLD72](#) [FGJ.3B.304.CYMD10Z](#) [FGJ.3B.304.CYMD82Z](#) [PCS.01.250.DLLE24](#) [PHG.0K.305.CYMC40Z](#)
[PHG.1K.308.CLLK85](#) [PKG.M0.6BL.LZ](#) [PLC.M1.0SL.LA](#) [GMA.10.290.DN](#) [GMA.3B.090.DA](#) [PRG.M0.6GL.LC52GZ](#) [PSA.1S.275.CTLC66](#)
[ABF.1S.250.NTA](#) [133020F](#) [1331ER193MZ](#) [1332M107MZ](#) [DTS26Z19-32JA-LC](#) [DTS26Z19-32SA](#) [DTS26Z19-32SA-LC](#) [DTS26Z23-55HA](#)
[DTS26Z23-55HA-LC](#) [DTS26Z23-55JA-LC](#) [EAJ.1B.306.CWA](#) [ECG.XB.312.CLL](#) [1589430-2](#) [EEA.0B.305.CLN](#) [EEA.0B.309.CLL](#)
[ELF.00.250.NTL](#) [ERA.01.250.DLL](#) [BRD.0B.200.PCSG](#) [BRR.2S.200.PZVG](#) [HR10A-P](#) [CAH.M34.SLL.C72GZ](#) [CAJ.M34.SLL.C72GZ](#)
[300500](#) [ESB.00.303.NLL](#) [EXG.0B.309.HLN](#) [FFB.1S.250.CLAC27](#) [FGA.2B.306.CYCD92](#) [FGA.2B.306.CYCD92Z](#) [FGA.XB.312.CLAD72](#)
[FGJ.1B.302.CYMD62](#)