

1

2

3

4

5

6

7

8

COUNT	DESCRIPTION OF REVISIONS	BY	CHKD	DATE	COUNT	DESCRIPTION OF REVISIONS	BY	CHKD	DATE
1	DIS-C-000585	T.K	E.K	07.07.27					

A

B

C

D

E

F

A

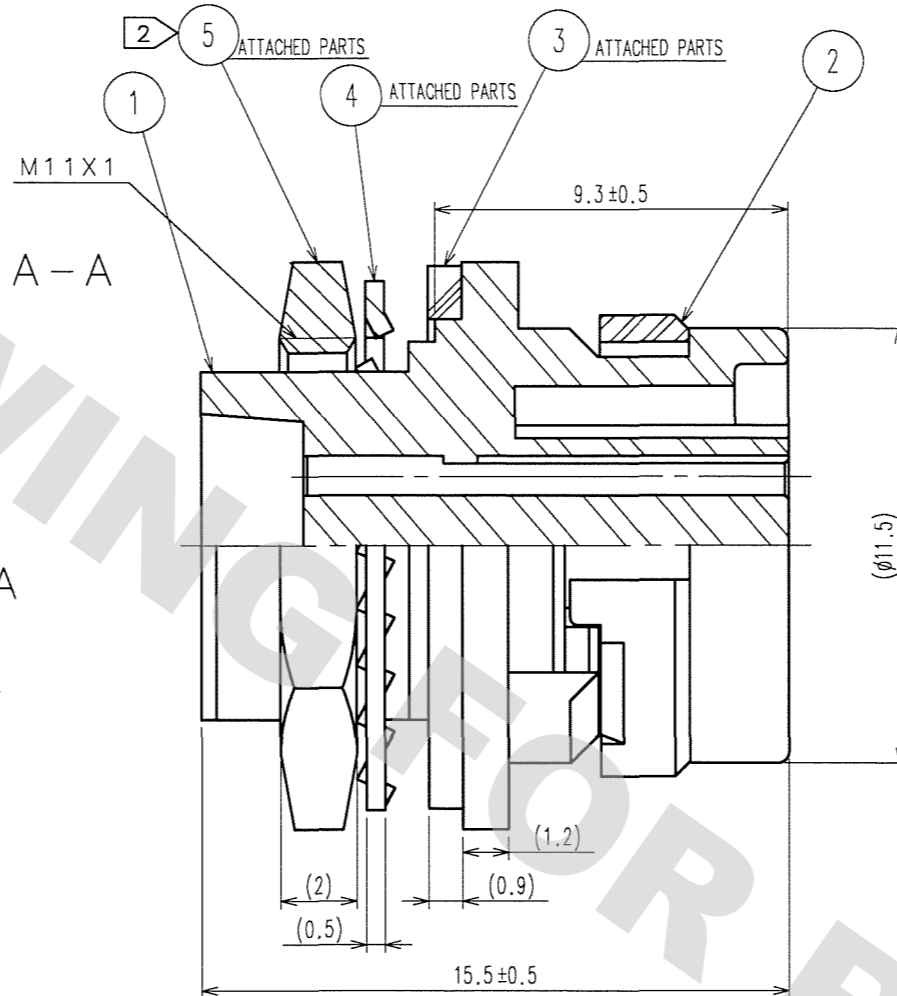
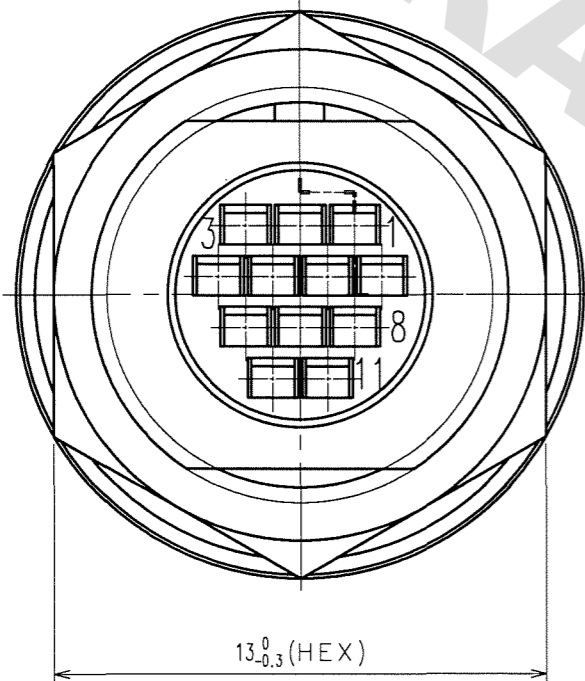
B

C

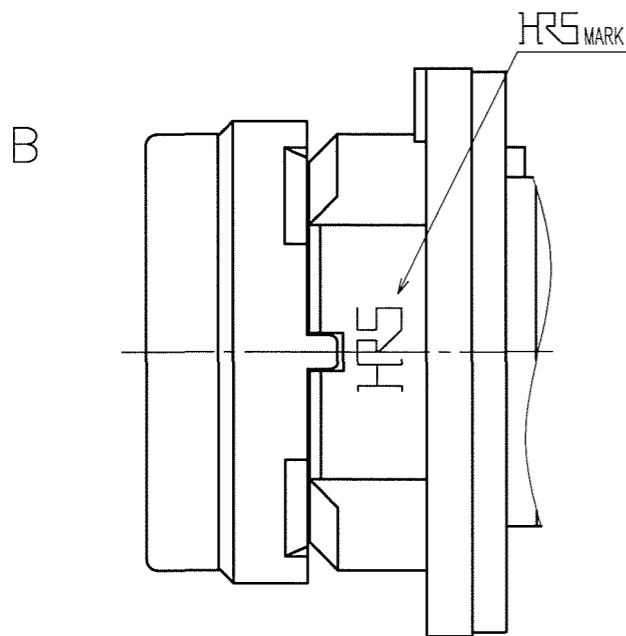
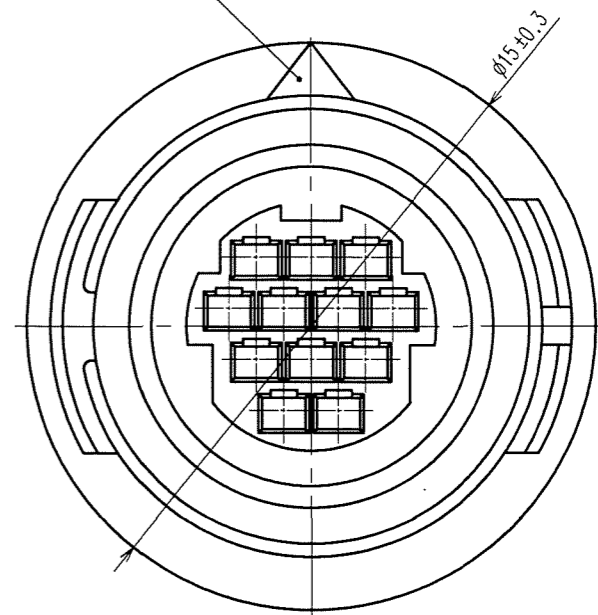
D

E

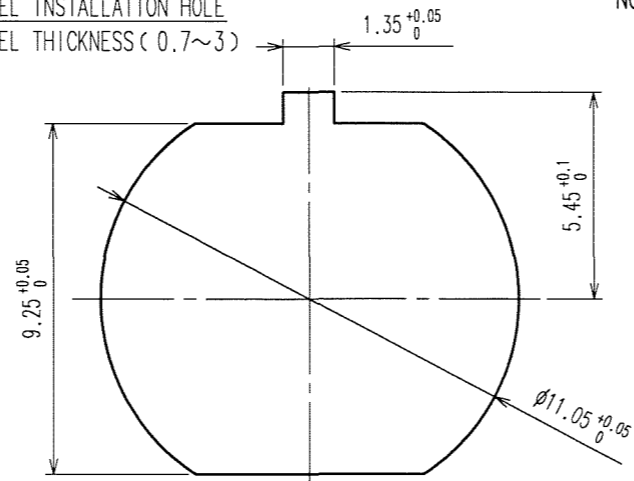
F



MATING MARK (WHITE)



PANEL INSTALLATION HOLE
PANEL THICKNESS (0.7~3)



- NOTES 1 APPLICABLE CRIMPING CONTACT: HR30-SC-211
(APPLICABLE WIRE: 26-30 AWG WIRE JACKET DIAMETER: $\phi 1$ MAX)
APPLICABLE CONTACT WITHDRAWAL TOOL: HP30-TP
- 2 THE RECOMMENDED CLUMP TORQUE OF REF. NO. ⑤ TO BE 0.8N · m.
LOCTITE 271, LOCPRIMER 7649, HENKEL JAPAN IS RECOMMENDED TO PREVENT REF. NO. ⑤ FROM LOOSENING.

3	SYNTHETIC RUBBER	(BLACK)				
2	PPS	(BLACK)	UL94V-0	5	BRASS	NICKEL PLATING
1	PPS	(BLACK)	UL94V-0	4	PHOSPHOR BRONZE	NICKEL PLATING
NO.	MATERIAL	FINISH, REMARKS	NO.	MATERIAL	FINISH, REMARKS	

CODE NO. (OLD)	DRAWN	DESIGNED	CHECKED	APPROVED	RELEASED
	E.KUNII	E.KUNII		M.SATO	
	'05 10 05	'05 10 05		'05 10 05	

SCALE 5 : 1	DRAWING NO. EDC3-112398-71	PART NO. HR30-8R-12SC(71)
UNITS mm	HRS HIROSE ELECTRIC CO., LTD	CODE NO. CL130-1014-0-71

1/1

1

2

3

4

5

6

7

8

DRAWING FOR REFERENCE: This is subject to change without notice
08/11/2012

TO
R

X-ON Electronics

Largest Supplier of Electrical and Electronic Components

Click to view similar products for [Circular Push Pull Connectors](#) category:

Click to view products by [Hirose](#) manufacturer:

Other Similar products are found below :

[6407-249V-11273P](#) [6408-201V-13273](#) [6408-202V-13343](#) [6408-202V-17343](#) [EZG.0B.309.CLN](#) [FFA.2S.310.ZLA](#) [FGA.1B.307.CYCD72Z](#)
[FGJ.1B.304.CLLD76](#) [FGJ.1B.306.CWLD72](#) [FGJ.3B.304.CYMD10Z](#) [FGJ.3B.304.CYMD82Z](#) [PCS.01.250.DLLE24](#) [PHG.0K.305.CYMC40Z](#)
[PHG.1K.308.CLLK85](#) [PKG.M0.6BL.LZ](#) [PLC.M1.0SL.LA](#) [GMA.10.290.DN](#) [GMA.3B.090.DA](#) [PRG.M0.6GL.LC52GZ](#) [PSA.1S.275.CTLC66](#)
[ABF.1S.250.NTA](#) [133020F](#) [1331ER193MZ](#) [1332M107MZ](#) [DTS26Z19-32JA-LC](#) [DTS26Z19-32SA](#) [DTS26Z19-32SA-LC](#) [DTS26Z23-55HA](#)
[DTS26Z23-55HA-LC](#) [DTS26Z23-55JA-LC](#) [EAJ.1B.306.CWA](#) [ECG.XB.312.CLL](#) [1589430-2](#) [EEA.0B.305.CLN](#) [EEA.0B.309.CLL](#)
[ELF.00.250.NTL](#) [ERA.01.250.DLL](#) [BRD.0B.200.PCSG](#) [BRR.2S.200.PZVG](#) [HR10A-P](#) [CAH.M34.SLL.C72GZ](#) [CAJ.M34.SLL.C72GZ](#)
[300500](#) [ESB.00.303.NLL](#) [EXG.0B.309.HLN](#) [FFB.1S.250.CLAC27](#) [FGA.2B.306.CYCD92](#) [FGA.2B.306.CYCD92Z](#) [FGA.XB.312.CLAD72](#)
[FGJ.1B.302.CYMD62](#)