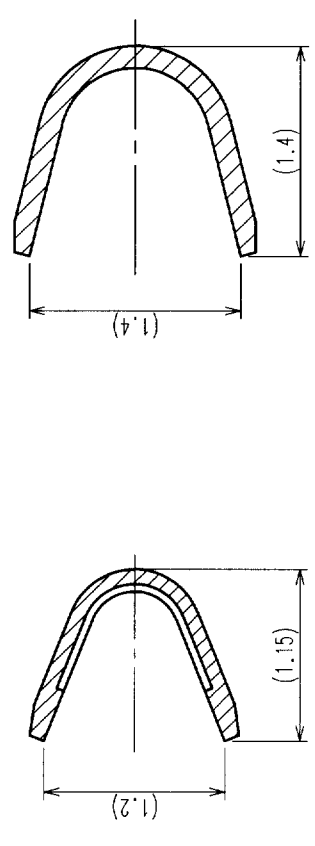
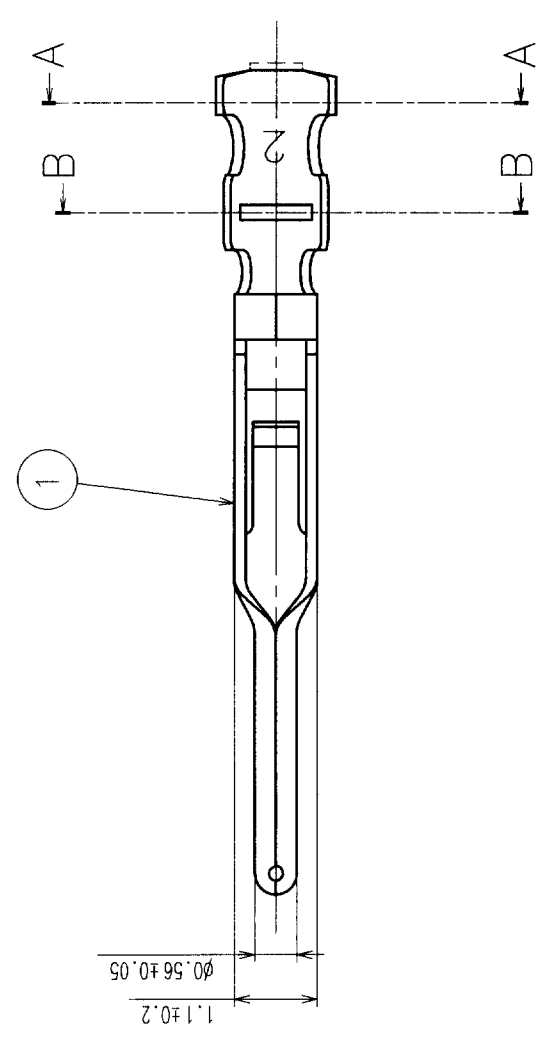


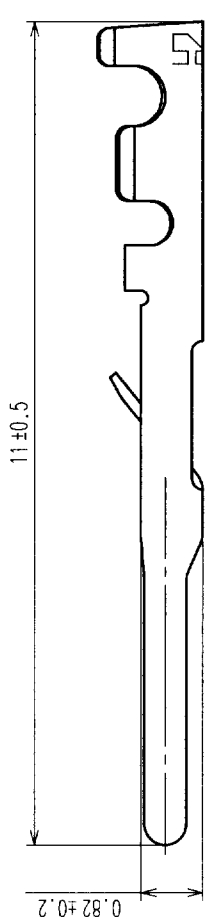
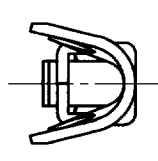
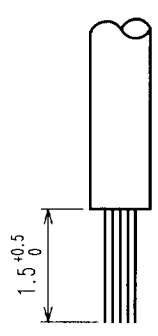
Aug.1.2021 Copyright 2021 HIROSE ELECTRIC CO., LTD. All Rights Reserved.
 In case of consideration for using Automotive equipment / device which demand high reliability, kindly contact our sales window correspondents.

COUNT	DESCRIPTION OF REVISIONS	BY	CHKD	DATE	COUNT	DESCRIPTION OF REVISIONS	BY	CHKD	DATE
△				..	△				..
△				..	△				..
△				..	△				..

B-B(20:1) A-A(20:1)



3 FIG.1 RECOMMENDED CABLE PREPARATION DIMENSIONS



HRS DRAWING FOR REFERENCE

- NOTES
- 1 THIS PRODUCT IS APPLY TO THE WIRE 26-30 AWG(WIRE JACKET DIAMETER Ø1 MAX).
 - 2 APPLICABLE OPERATION CRIMP TOOL:HT102/HR30-1
 - 3 RECOMMENDED CABLE PREPARATION DIMENSIONS ARE SHOWN IN FIG.1.
 - 4 PER PACK:100 CONTACTS

NO.	PHOSPHOR BRONZE MATERIAL	SELECTIVE GOLD PLATING FINISH, REMARKS	NO.	MATERIAL	FINISH, REMARKS	FINISH, REMARKS	
1							
CODE NO. (OLD)		DRAWN		DESIGNED	CHECKED	APPROVED	RELEASED
		H.Zemba		H.Zemba	E. Kumi	M. Yoshida	
		01.01.05		01.01.05	01.01.05	01.01.10	
DRAWING NO.		PART NO.					
EDC3-112589		HR30-PC-111					
SCALE		CODE NO.					
10 : 1		CL130-0022-3					
UNITS		HIROSE ELECTRIC CO., LTD					
mm							

TO	
R	

X-ON Electronics

Largest Supplier of Electrical and Electronic Components

Click to view similar products for [Circular Push Pull Connectors](#) category:

Click to view products by [Hirose](#) manufacturer:

Other Similar products are found below :

[6407-249V-11273P](#) [6408-201V-13273](#) [6408-202V-13343](#) [6408-202V-17343](#) [EZG.0B.309.CLN](#) [FFA.2S.310.ZLA](#) [FGA.1B.307.CYCD72Z](#)
[FGJ.1B.304.CLLD76](#) [FGJ.1B.306.CWLD72](#) [FGJ.2B.302.CYMD82Z](#) [FGJ.2B.310.CYMD72Z](#) [FGJ.3B.304.CYMD10Z](#)
[FGJ.3B.304.CYMD82Z](#) [FHJ.2B.310.CLLD72](#) [PCS.01.250.DLLE24](#) [PHG.0K.305.CYMC40Z](#) [PHG.1K.308.CLLK85](#) [PKG.M0.6BL.LZ](#)
[PLC.M1.0SL.LA](#) [GMA.10.290.DN](#) [GMA.3B.090.DA](#) [PRG.M0.6GL.LC52GZ](#) [PSA.1S.275.CTLC66](#) [ABF.1S.250.NTA](#) [133020F](#)
[1331ER193MZ](#) [1332M107MZ](#) [DTS26Z19-32JA-LC](#) [DTS26Z19-32SA](#) [DTS26Z19-32SA-LC](#) [DTS26Z23-55HA](#) [DTS26Z23-55HA-LC](#)
[DTS26Z23-55JA-LC](#) [EAJ.1B.306.CWA](#) [ECG.XB.312.CLL](#) [1589430-2](#) [EEA.0B.305.CLN](#) [EEA.0B.309.CLL](#) [ELF.00.250.NTL](#)
[ERA.01.250.DLL](#) [BRD.0B.200.PCSG](#) [BRR.2S.200.PZVG](#) [HR10A-P](#) [CAH.M34.SLL.C72GZ](#) [CAJ.M34.SLL.C72GZ](#) [300500](#)
[ESB.00.303.NLL](#) [EXG.0B.309.HLN](#) [FFB.1S.250.CLAC27](#) [FFG.1B.306.CLAZ](#)