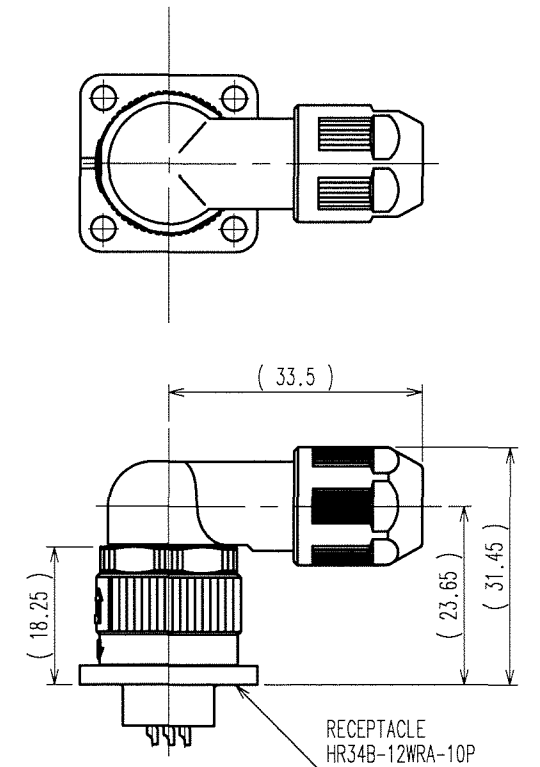
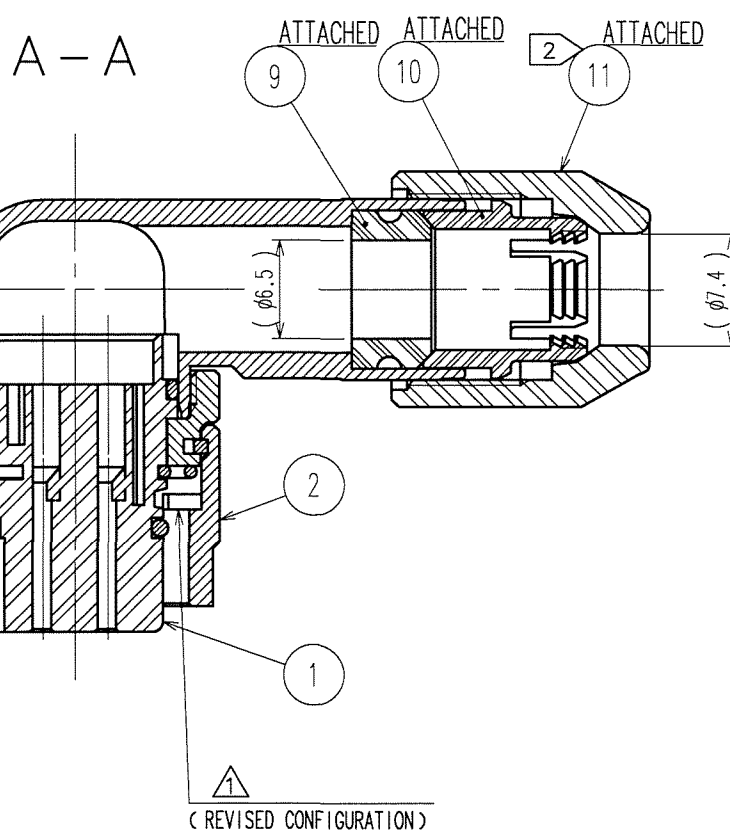
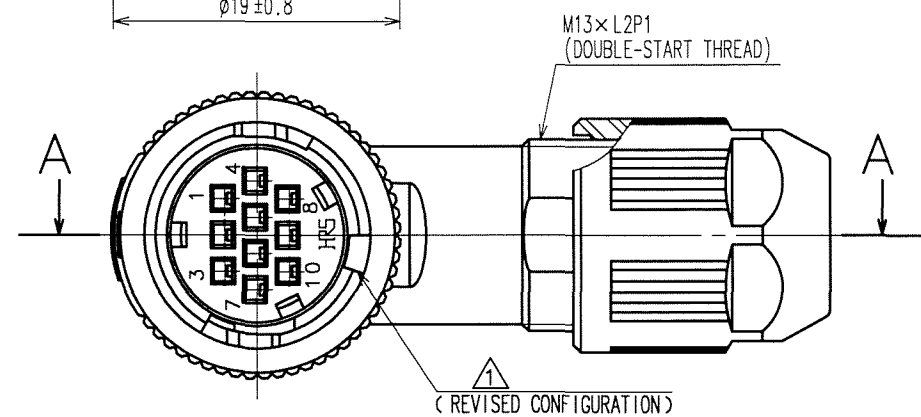
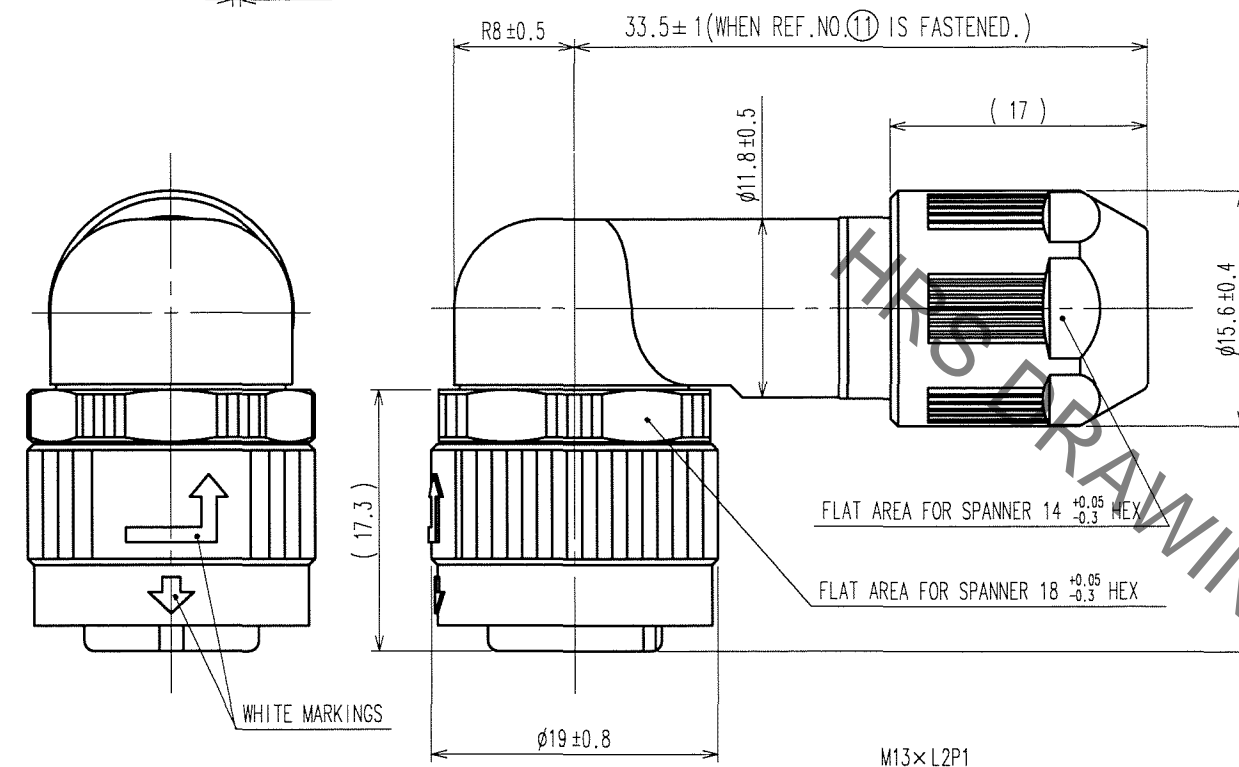
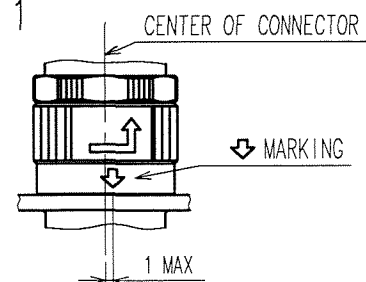


Aug.1.2021 Copyright 2021 HIROSE ELECTRIC CO., LTD. All Rights Reserved.  
In case of consideration for using Automotive equipment / device which demand high reliability, kindly contact our sales window correspondents.

COUNT	DESCRIPTION OF REVISIONS	BY	CHKD	DATE	COUNT	DESCRIPTION OF REVISIONS	BY	CHKD	DATE
3	DIS-C-000368	H.N	E.K	06.10.04					
2	DIS-C-000633	H.Z	K.E	07.05.30					

FIG. 1



- NOTES
- THE RECOMMENDED TIGHTENING TORQUE OF REF. NO. ③: 0.9 TO 1 N · m.  
THE RECOMMENDED ADHESIVE OF REF. NO. ③: LOCTITE 242 MADE BY HENKEL JAPAN LTD.
  - THE RECOMMENDED TIGHTENING TORQUE OF REF. NO. ⑪: 0.9 TO 1 N · m.  
THE RECOMMENDED ADHESIVE AND PRIMER OF REF. NO. ⑪: LOCTITE 242 AND LOCK PRIMER 7649 MADE BY HENKEL JAPAN LTD.
  - CABLE CLAMP STRENGTH AND WATERPROOF PERFORMANCE DEPEND ON CABLE STRUCTURE SUCH AS THE JACKET MATERIAL AND HARDNESS.  
WE RECOMMEND CHECKING THE PERFORMANCE BEFORE THE USAGE.
  - ROTATION EXAMPLES ARE SHOWN FOR REF. NO. ①, ③, ⑧, AND ⑪.
  - THE RECOMMENDED CABLE: UL20276-SB(FLEX)5×23AWG+1P×25AWG MADE BY HITACHI CABLE LTD.
  - CONDUIT IS NOT APPLICABLE TO THIS CONNECTOR.
  - MAKE SURE THAT ↕ MARKING IS POSITIONED WITHIN 1 FROM THE CENTER OF CONNECTOR AS SHOWN IN FIG.1. WHEN MATED TO THE APPLICABLE RECEPTACLE, OTHERWISE, THE CONNECTORS ARE NOT COMPLETELY MATED, AND INSERT THIS PLUG TO THE RECEPTACLE TO THE END UNTIL THE ↕ MARKING IS LOCATED IN THE CENTER OF THE CONNECTOR.

NO.	MATERIAL	FINISH, REMARKS	NO.	MATERIAL	FINISH, REMARKS
6	FLURO RUBBER	(BLACK)			
5	PHOSPHOR BRONZE	NICKEL PLATING	11	PPS	(BLACK) UL94V-0
4	STAINLESS STEEL		10	POLYAMIDE	(WHITE) UL94V-0
3	ZINC ALLOY	BLACK CHROME PLATING	9	HYDROGENATION ACRYLONITRILE BUTADIENE RUBBER	(BLACK)
2	ZINC ALLOY	BLACK CHROME PLATING	8	ALMINIUM ALLOY	BLACK CHROMATE TREATMENT (TRIVALENT CHROMIUM)
1	PPS	(BLACK) UL94V-0	7	FLURO RUBBER	(BLACK)

CODE NO. (OLD) CL	DRAWN H. NAGANO 060904	DESIGNED H. NAGANO 060904	CHECKED E. KUNII 060904	APPROVED M. SATO 060905	RELEASED .
----------------------	------------------------------	---------------------------------	-------------------------------	-------------------------------	---------------

 SCALE 2 : 1 UNITS mm	DRAWING NO. EDC3-114756 <b>HRS</b> HIROSE ELECTRIC CO., LTD	PART NO. HR34B-12WLPA-10SC CODE NO. CL134-0018-1	1/1
-----------------------------------	---	---	-----

TO
R

## X-ON Electronics

Largest Supplier of Electrical and Electronic Components

*Click to view similar products for [Standard Circular Connector](#) category:*

*Click to view products by [Hirose](#) manufacturer:*

Other Similar products are found below :

[5M2530B10P](#) [600259N006](#) [600273N007](#) [6134-336-13149](#) [6134-337-11149](#) [6134-337-2390](#) [6134-341-17149](#) [6280-4SG-516](#) [6280-7SG-3DC](#)  
[6290](#) [6291A](#) [66200A-10](#) [680-SMG](#) [681-PMG](#) [CXS3102A14S2P](#) [CXS3102A181S](#) [7251-6SG-300](#) [7271-6SG-300](#) [7282-3PG-300-CH3](#) [75-](#)  
[474014-05S](#) [75-474618-01S](#) [75-474618-04P](#) [75-474618-04S](#) [799539-000](#) [MI8-SE](#) [805-005-07NF11-19PC](#) [805-005-07NF15-7PA](#) [8280-4PG-](#)  
[516](#) [8280-7PG-519](#) [8282-5PG-519](#) [836783-1](#) [MP-4102-25P-C](#) [862256-1](#) [864019-2](#) [866857-1](#) [867865-1](#) [PT01SP-14-18P](#) [PT08P-14-5S](#) [120-](#)  
[1833-000](#) [QCM019PC2DC012B](#) [1-2069279-1](#) [121583-0217](#) [121667-0020](#) [129591AU](#) [1000B BULK](#) [RD10A16-19-P6CS051/1](#) [RD10A20-31-](#)  
[P8CS051/1](#) [RD16A14-12-S6CS051/2](#) [1301240290](#) [1301240347](#) [1301860202](#)