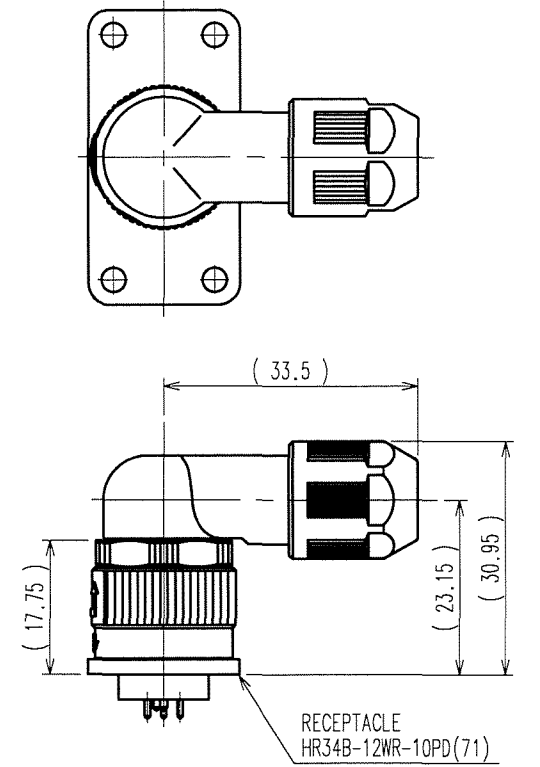
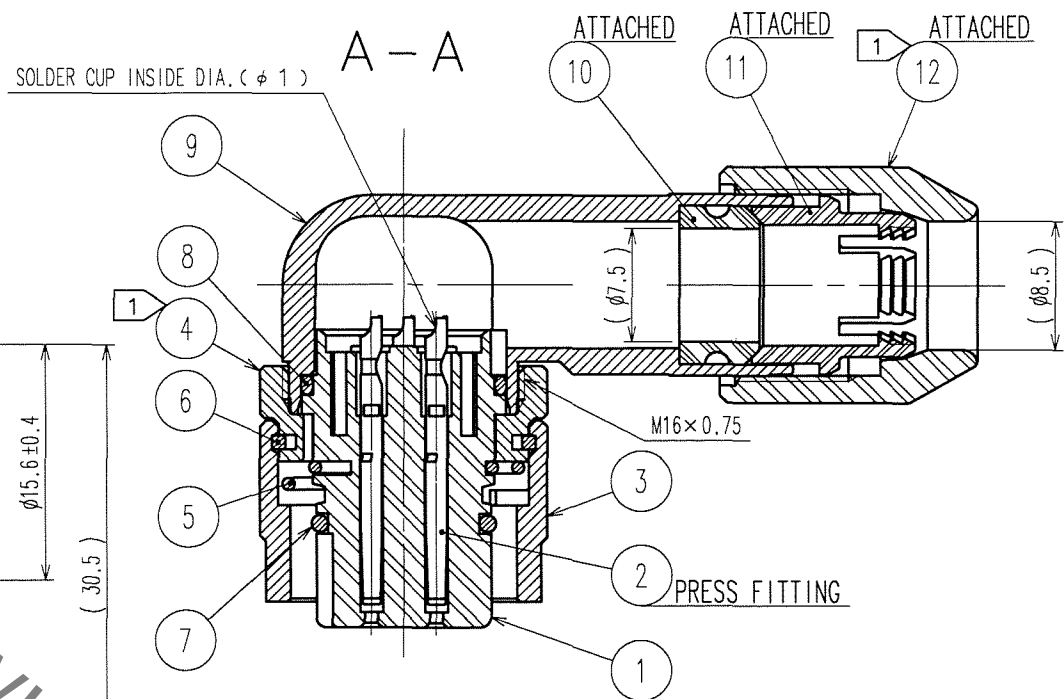
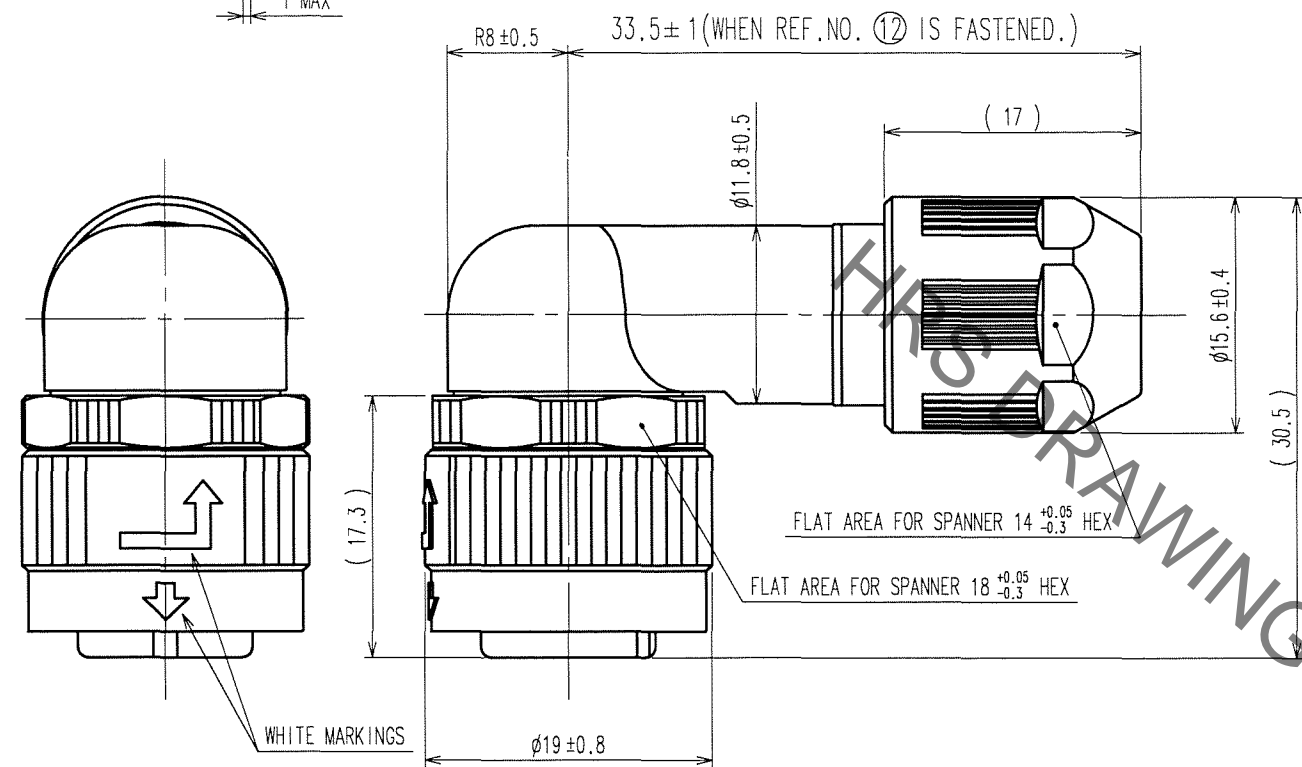
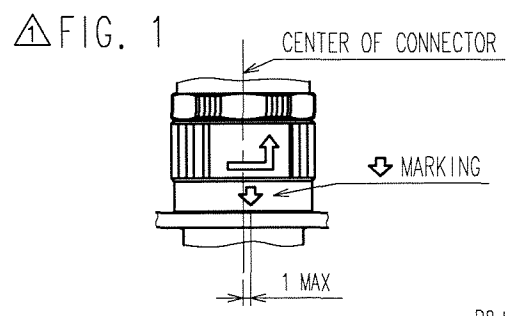
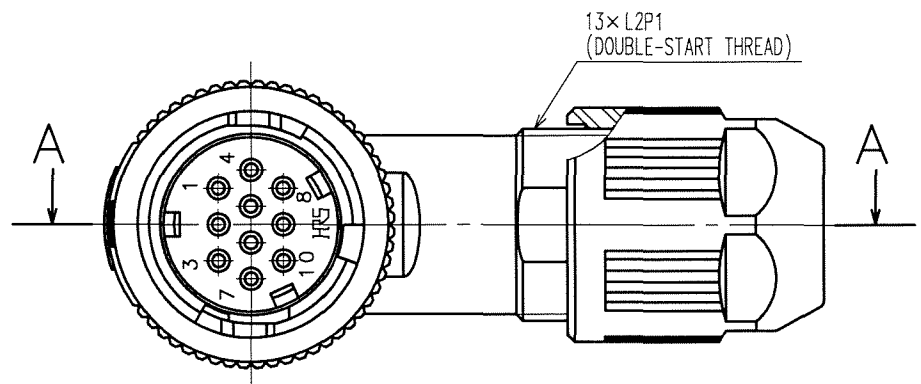


Sep.1.2021 Copyright 2021 HIROSE ELECTRIC CO., LTD. All Rights Reserved.
In case of consideration for using Automotive equipment / device which demand high reliability, kindly contact our sales window correspondents.

COUNT	DESCRIPTION OF REVISIONS	BY	CHKD	DATE	COUNT	DESCRIPTION OF REVISIONS	BY	CHKD	DATE
2	DIS-C-000633	H.Z	K.E	07.05.28					



MATING CONDITION(1:1)
(WHEN REF.NO. ⑩ IS FASTENED)



NOTES ① THE RECOMMENDED TIGHTENING TORQUE, ADHESIVE AND PRIMER FOR M16×0.75 PORTION OF REF NO. ④ AND ⑨ AND M13×L2P1 PORTION OF REF NO. ⑨ AND ⑫ ARE AS FOLLOWINGS.
THE ADHESIVE AND PRIMER SHOULD BE ATTACHED ON THE MALE SCREW PORTION OF REF NO. ⑨.
TIGHTENING TORQUE: 0.9 TO 1 N·m.
ADHESIVE: LOCTITE 242 MADE BY HENKEL JAPAN LTD.
PRIMER: LOCK PRIMER 7649, MADE BY HENKEL JAPAN LTD. (ONLY M13×L2P1)

2 ROTATION EXAMPLES ARE SHOWN FOR REF.NO. ①, ④, ⑨, AND ⑫.

3 THE RECOMMENDED CABLE: UL20276-SB(FLEX)5×20AWG+1P×25AWG MADE BY HITACHI CABLE LTD.

4 CONDUIT IS NOT APPLICABLE TO THIS CONNECTOR.

⑤ MAKE SURE THAT ↕ MARKING IS POSITIONED WITHIN 1 FROM THE CENTER OF CONNECTOR AS SHOWN IN FIG.1. WHEN MATED TO THE APPLICABLE RECEPTACLE, OTHERWISE, THE CONNECTORS ARE NOT COMPLETELY MATED, AND INSERT THIS PLUG TO THE RECEPTACLE TO THE END UNTIL THE ↕ MARKING IS LOCATED IN THE CENTER OF THE CONNECTOR.

5	STAINLESS STEEL		12	POLYPHENYLENE SULFIDE (BLACK)	UL94V-0
4	ZINC ALLOY	BLACK CHROME PLATING	11	POLYAMIDE (WHITE)	UL94V-0
3	ZINC ALLOY	BLACK CHROME PLATING	10	HYDROGENATION ACRYLONITRILE BUTADIENE RUBBER (GRAY)	
2	PHOSPHOR BRONZE	CONTACT AREA :GOLD 0.2μm MIN. TERMINAL AREA:GOLD FLASH. UNDER PLATING:NICKEL 2μm MIN.	9	ALUMINIUM ALLOY	BLACK CHROMATE TREATMENT (TRIVALENT CHROMIUM)
			8	FLUORO RUBBER	(BLACK)
			7	FLUORO RUBBER	(BLACK)
1	POLYPHENYLENE SULFIDE (BLACK)	UL94V-0	6	PHOSPHOR BRONZE	NICKEL PLATING
NO.	MATERIAL	FINISH, REMARKS	NO.	MATERIAL	FINISH, REMARKS

CODE NO. (OLD) CL	DRAWN M.SATO 07.04.03	DESIGNED H.ZENBA 07.04.03	CHECKED K.EZAWA 07.04.03	APPROVED M.SATO 07.04.03	RELEASED
SCALE 2 : 1	DRAWING NO. EDC3-114270-71		PART NO. HR34B-12WLPB-10S(71)		
UNITS mm	HIROSE ELECTRIC CO., LTD		CODE NO. CL134-0008-8-71		1/1

TO
R

X-ON Electronics

Largest Supplier of Electrical and Electronic Components

Click to view similar products for [Standard Circular Connector](#) category:

Click to view products by [Hirose](#) manufacturer:

Other Similar products are found below :

[5M2530B10P](#) [600259N006](#) [600273N007](#) [6134-336-13149](#) [6134-337-11149](#) [6134-337-2390](#) [6134-341-17149](#) [6280-4SG-516](#) [6280-7SG-3DC](#)
[6290](#) [6291A](#) [66200A-10](#) [680-SMG](#) [681-PMG](#) [CXS3102A14S2P](#) [CXS3102A181S](#) [7251-6SG-300](#) [7271-6SG-300](#) [7282-3PG-300-CH3](#) [75-](#)
[474014-05S](#) [75-474618-01S](#) [75-474618-04S](#) [799539-000](#) [MI8-SE](#) [805-005-07NF11-19PC](#) [805-005-07NF15-7PA](#) [8280-4PG-516](#) [8280-7PG-](#)
[519](#) [8282-5PG-519](#) [836783-1](#) [MP-4102-25P-C](#) [862256-1](#) [864019-2](#) [866857-1](#) [867865-1](#) [PT01SP-14-18P](#) [PT08P-14-5S](#) [PTSF06SE-14-12S](#)
[120-1833-000](#) [QCM019PC2DC012B](#) [1-2069279-1](#) [121583-0217](#) [121667-0020](#) [129591AU](#) [1000B BULK](#) [RD10A16-19-P6CS051/1](#)
[RD10A20-31-P8CS051/1](#) [RD16A14-12-S6CS051/2](#) [1301240290](#) [1301240347](#) [1301860202](#)