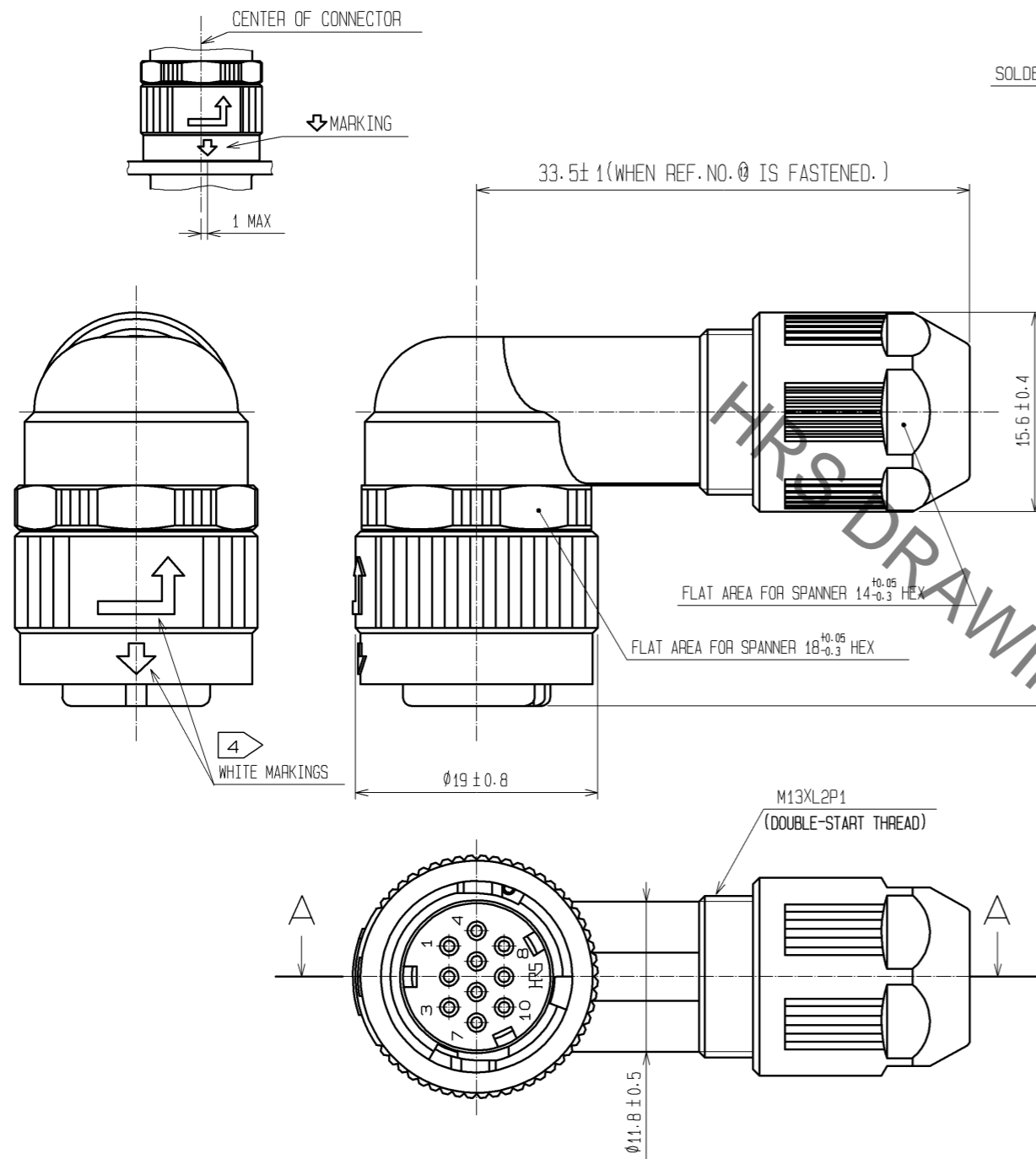
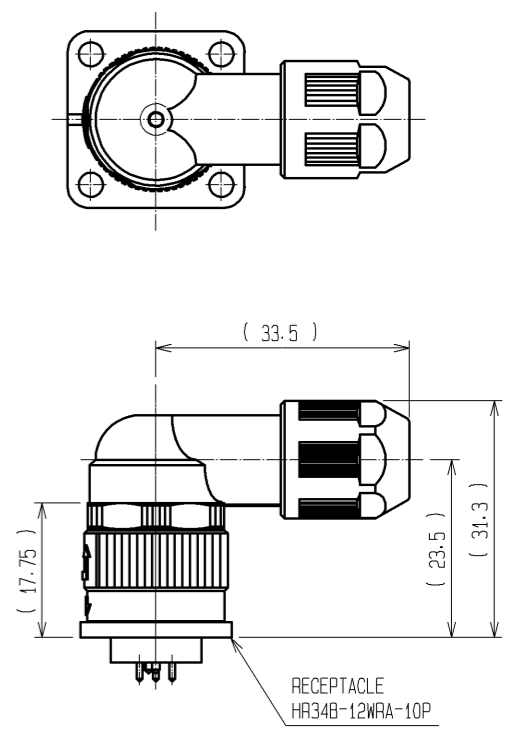


Sep.1.2021 Copyright 2021 HIROSE ELECTRIC CO., LTD. All Rights Reserved.
In case of consideration for using Automotive equipment / device which demand high reliability, kindly contact our sales window correspondents.

FIG. 1(1:1)



MATED CONDITION (1:1)
(WHEN REF. NO. ④ IS FASTENED)



- NOTES
- ① THE RECOMMENDED TIGHTENING TORQUE OF REF. NO. ④ IS 0.9 TO ① N · m. FOR LOOSENESS PREVENTION, APPLYING LOCTITE 242 AND PRIMER 7649 OR EQUIVALENT TO SCREWED AREA M16X0.75 OF REF. NO. ⑨ IS RECOMMENDED.
 - ② THE RECOMMENDED TIGHTENING TORQUE OF REF. NO. ⑫ IS 0.9 TO 1 N · m. FOR LOOSENESS PREVENTION, APPLYING LOCTITE 242, PRIMER7649 OR EQUIVALENT TO SCREWED AREA M13XL2P1 (DOUBLE-START THREAD) OF REF. NO. ⑨ IS RECOMMENDED.
 - ③ ROTATING POSITION OF REF. NO. ①, ④, ⑨ AND ⑫ ARE SHOWN AS AN EXAMPLE.
 - ④ ↕ AND ↗ MARKINGS SHALL BE PRINTED IN WHITE.
 - ⑤ CONDUIT IS NOT APPLICABLE TO THIS CONNECTOR.
 - ⑥ MAKE SURE THAT ↕ MARKING IS POSITIONED WITHIN ① FROM THE CENTER OF CONNECTOR AS SHOWN IN FIG. ①. IF NOT, INSERT THE PLUG TO THE RECEPTACLE UNTIL THE MARKING IS LOCATED IN THE CENTER OF THE CONNECTOR.
 - ⑦ CABLE CLAMP STRENGTH AND WATERPROOF PERFORMANCE VARY DEPENDING ON CABLE STRUCTURE. CHECKING PRIOR TO YOUR ACTUAL USE IS REQUIRED.

NO.	MATERIAL	FINISH	REMARKS	NO.	MATERIAL	FINISH	REMARKS
5	STAINLESS STEEL			12	POLYPHENYLENE SULFIDE	(BLACK)	UL94V-0
4	ZINC ALLOY	BLACK CHROME PLATING		11	POLYAMIDE	(WHITE)	UL94V-0
3	ZINC ALLOY	BLACK CHROME PLATING		10	HYDROGENATION ACRYLONITRILE BUTADIENE RUBBER	(BLACK)	
2	PHOSPHOR BRONZE	CONTACT AREA:GOLD PLATING 0.2μm min. TERMINAL AREA:GOLD FLASH. UNDER PLATING:NICKEL 2μm min.		9	POLYAMIDE	(BLACK)	UL94V-0
				8	FLUORO RUBBER	(BLACK)	
				7	FLUORO RUBBER	(BLACK)	
1	POLYPHENYLENE SULFIDE	(BLACK)	UL94V-0	6	PHOSPHOR BRONZE	NICKEL PLATING	

UNITS	SCALE	COUNT	DESCRIPTION OF REVISIONS	DESIGNED	CHECKED	DATE
mm	2 : 1	△				
APPROVED : MO. SATOH			08.02.14	DRAWING NO. EDC3-115408-00		
CHECKED : HY. KOBAYASHI			08.02.14	PART NO. HR34B-12WLPD-10S		
DESIGNED : DS. MATSUNE			08.02.14	CODE NO. CL134-0039-1-00		
DRAWN : HN. TANAKA			08.01.15			

X-ON Electronics

Largest Supplier of Electrical and Electronic Components

Click to view similar products for [Standard Circular Connector](#) category:

Click to view products by [Hirose](#) manufacturer:

Other Similar products are found below :

[5M2530B10P](#) [600259N006](#) [600273N007](#) [6134-336-13149](#) [6134-337-11149](#) [6134-337-2390](#) [6134-341-17149](#) [6280-4SG-516](#) [6280-7SG-3DC](#)
[6290](#) [6291A](#) [66200A-10](#) [680-SMG](#) [681-PMG](#) [CXS3102A14S2P](#) [CXS3102A181S](#) [7251-6SG-300](#) [7271-6SG-300](#) [7282-3PG-300-CH3](#) [75-](#)
[474014-05S](#) [75-474618-01S](#) [75-474618-04S](#) [799539-000](#) [MI8-SE](#) [805-005-07NF11-19PC](#) [805-005-07NF15-7PA](#) [8280-4PG-516](#) [8280-7PG-](#)
[519](#) [8282-5PG-519](#) [836783-1](#) [MP-4102-25P-C](#) [862256-1](#) [864019-2](#) [866857-1](#) [867865-1](#) [PT01SP-14-18P](#) [PT08P-14-5S](#) [PTSF06SE-14-12S](#)
[120-1833-000](#) [QCM019PC2DC012B](#) [1-2069279-1](#) [121583-0217](#) [121667-0020](#) [129591AU](#) [1000B BULK](#) [RD10A16-19-P6CS051/1](#)
[RD10A20-31-P8CS051/1](#) [RD16A14-12-S6CS051/2](#) [1301240290](#) [1301240347](#) [1301860202](#)