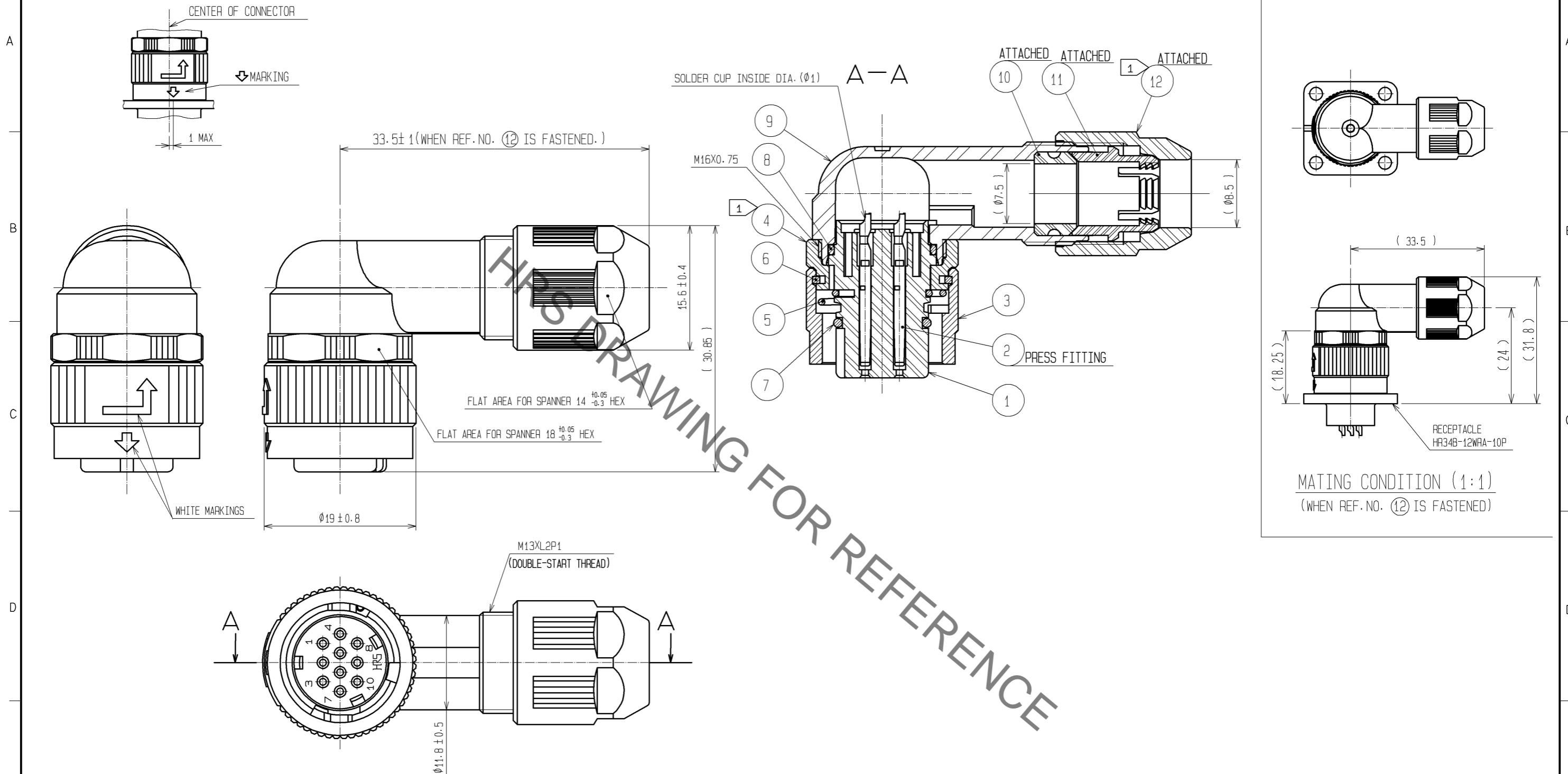


Sep.1.2021 Copyright 2021 HIROSE ELECTRIC CO., LTD. All Rights Reserved.
In case of consideration for using Automotive equipment / device which demand high reliability, kindly contact our sales window correspondents.

FIG. 1(1:1)



- NOTES
- 1 THE RECOMMENDED TIGHTENING TORQUE, ADHESIVE AND PRIMER FOR M16X0.75 PORTION OF REF NO. ③ AND ⑧ AND M13XL2P1 PORTION OF REF NO. ⑧ AND ⑪ ARE AS FOLLOWS.
THE ADHESIVE AND PRIMER SHOULD BE ATTACHED ON THE MALE SCREW PORTION OF REF NO. ⑧.
TIGHTENING TORQUE: 0.9 TO 1 N·m.
ADHESIVE: LOCTITE 242 MADE BY HENKEL JAPAN LTD.
PRIMER: LOCK PRIMER 7649, MADE BY HENKEL JAPAN LTD.
 - 2 ROTATION EXAMPLES ARE SHOWN FOR REF. NO. ①, ③, ⑧ AND ⑪.
 - 3 CONDUIT IS NOT APPLICABLE TO THIS CONNECTOR.
 - 4 MAKE SURE THAT ↕ MARKING IS POSITIONED WITHIN 1 FROM THE CENTER OF CONNECTOR AS SHOWN IN FIG. 1. WHEN MATED TO THE APPLICABLE RECEPTACLE, OTHERWISE, THE CONNECTORS ARE NOT COMPLETELY MATED, AND INSERT THIS PLUG TO THE RECEPTACLE TO THE END UNTIL THE ↕ MARKING IS LOCATED IN THE CENTER OF THE CONNECTOR.
 - 5 CABLE CLAMP STRENGTH AND WATERPROOF PERFORMANCE DEPEND ON CABLE STRUCTURE SUCH AS THE JACKET MATERIAL AND HARDNESS.
WE RECOMMEND CHECKING THE PERFORMANCE BEFORE THE USAGE.

5	STAINLESS STEEL		12	POLYPHENYLENE SULFIDE (BLACK)	UL94V-0
4	ZINC ALLOY	BLACK CHROME PLATING	11	POLYAMIDE (WHITE)	UL94V-0
3	ZINC ALLOY	BLACK CHROME PLATING	10	HYDROGENATION ACRYLONITRILE BUTADIENE RUBBER (GRAY)	
2	PHOSPHOR BRONZE	CONTACT AREA:GOLD PLATING 0.2µm MIN. TERMINAL AREA:GOLD FLASH. UNDER PLATING:NICKEL 2µm MIN.	9	POLYAMIDE (BLACK)	UL94V-0
			8	FLUORO RUBBER (BLACK)	
1	POLYPHENYLENE SULFIDE (BLACK)	UL94V-0	7	FLUORO RUBBER (BLACK)	
			6	PHOSPHOR BRONZE	NICKEL PLATING
NO.	MATERIAL	FINISH . REMARKS	NO.	MATERIAL	FINISH . REMARKS
UNITS mm		SCALE 2 : 1	COUNT △	DESCRIPTION OF REVISIONS	
DESIGNED		DESIGNED	DATE	DESIGNED	DATE
CHECKED		CHECKED	DATE	CHECKED	DATE
DRAWN		DRAWN	DATE	DRAWN	DATE
APPROVED : MO. SATOH			08.05.19	DRAWING NO. EDC3-115409-00	
CHECKED : SI. MATSUZAKI			08.05.19	PART NO. HR34B-12WLPE-10S	
DESIGNED : HT. ZENBA			08.05.13	CODE NO. CL134-0040-0-00	
DRAWN : HT. ZENBA			08.05.13		

X-ON Electronics

Largest Supplier of Electrical and Electronic Components

Click to view similar products for [Standard Circular Connector](#) category:

Click to view products by [Hirose](#) manufacturer:

Other Similar products are found below :

[5M2530B10P](#) [600259N006](#) [600273N007](#) [6134-336-13149](#) [6134-337-11149](#) [6134-337-2390](#) [6134-341-17149](#) [6280-4SG-516](#) [6280-7SG-3DC](#)
[6290](#) [6291A](#) [66200A-10](#) [680-SMG](#) [681-PMG](#) [CXS3102A14S2P](#) [CXS3102A181S](#) [7251-6SG-300](#) [7271-6SG-300](#) [7282-3PG-300-CH3](#) [75-](#)
[474014-05S](#) [75-474618-01S](#) [75-474618-04S](#) [799539-000](#) [MI8-SE](#) [805-005-07NF11-19PC](#) [805-005-07NF15-7PA](#) [8280-4PG-516](#) [8280-7PG-](#)
[519](#) [8282-5PG-519](#) [836783-1](#) [MP-4102-25P-C](#) [862256-1](#) [864019-2](#) [866857-1](#) [867865-1](#) [PT01SP-14-18P](#) [PT08P-14-5S](#) [PTSF06SE-14-12S](#)
[120-1833-000](#) [QCM019PC2DC012B](#) [1-2069279-1](#) [121583-0217](#) [121667-0020](#) [129591AU](#) [1000B BULK](#) [RD10A16-19-P6CS051/1](#)
[RD10A20-31-P8CS051/1](#) [RD16A14-12-S6CS051/2](#) [1301240290](#) [1301240347](#) [1301860202](#)