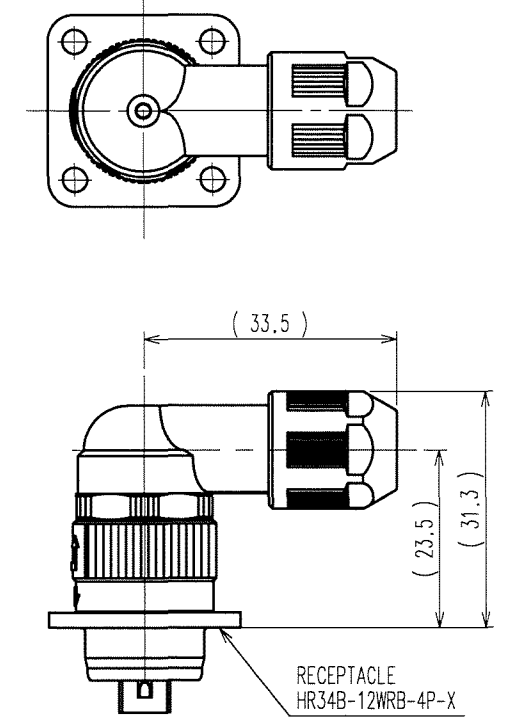
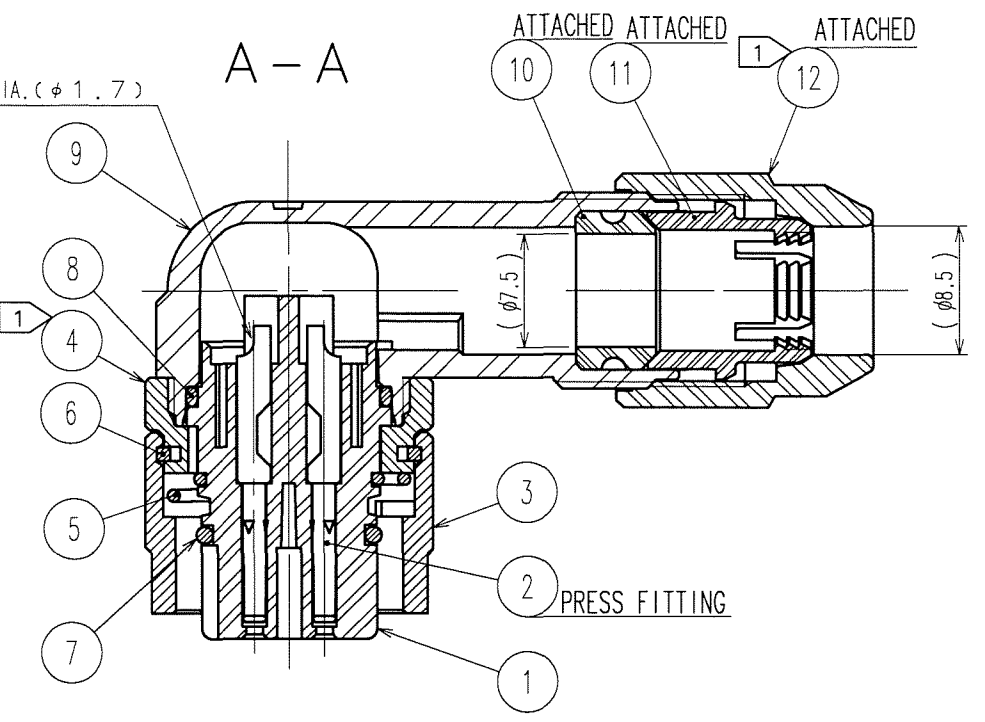
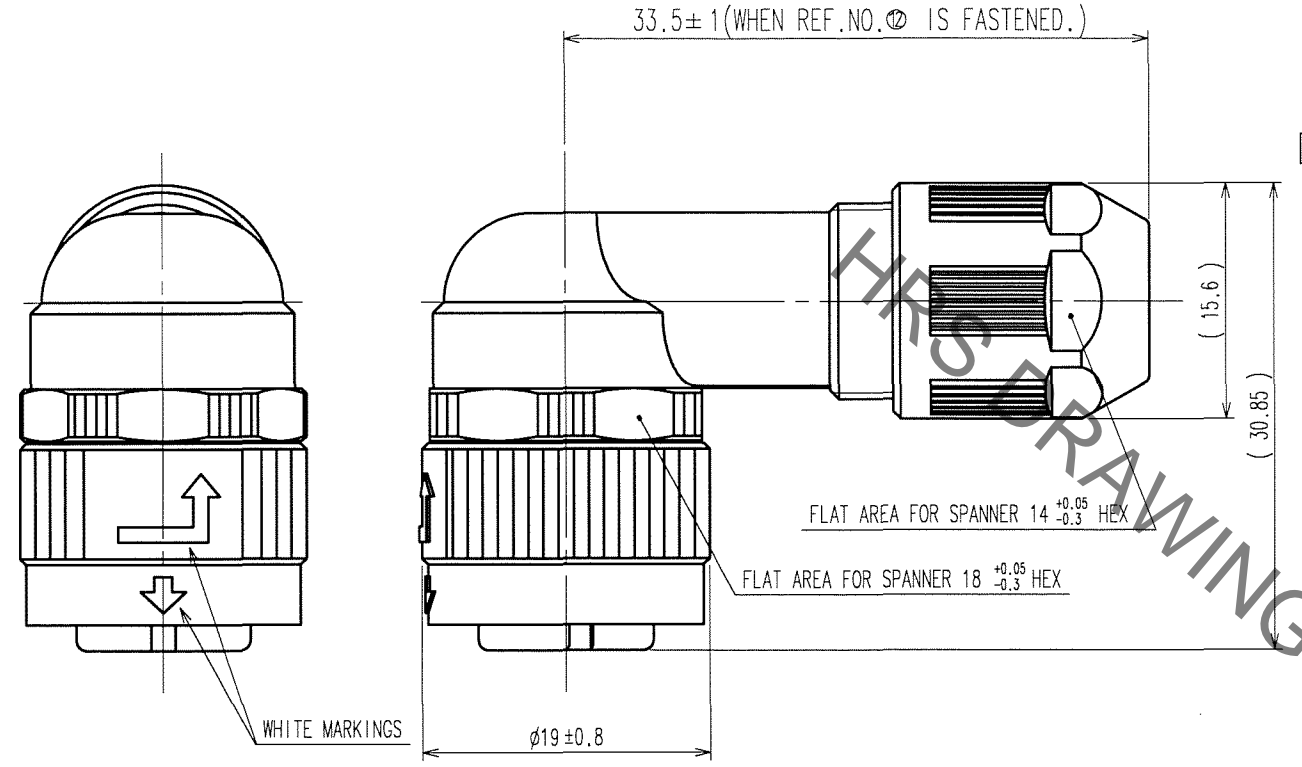
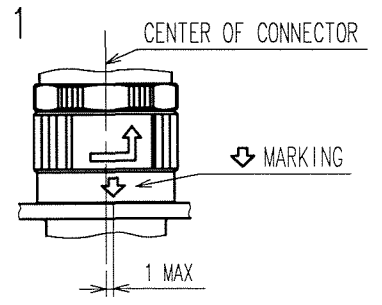


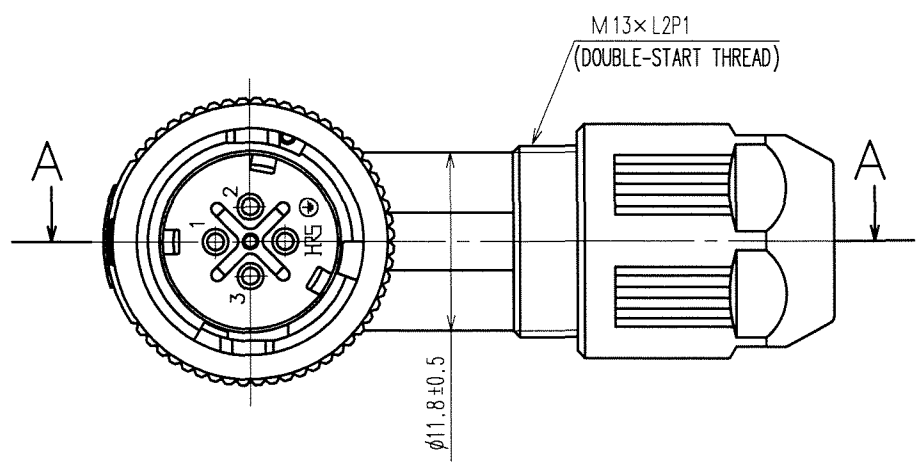
Jun.1.2021 Copyright 2021 HIROSE ELECTRIC CO., LTD. All Rights Reserved.  
In case of consideration for using Automotive equipment / device which demand high reliability, kindly contact our sales window correspondents.

COUNT	DESCRIPTION OF REVISIONS	BY	CHKD	DATE	COUNT	DESCRIPTION OF REVISIONS	BY	CHKD	DATE
2	DIS-C-000633	H.Z	K.E	07.05.25					

△ FIG. 1



MATING CONDITION (1:1)  
(WHEN REF. NO. 12 IS FASTENED)



△ NOTE 5 MAKE SURE THAT ↓ MARKING IS POSITIONED WITHIN 1 FROM THE CENTER OF CONNECTOR AS SHOWN IN FIG.1. WHEN MATED TO THE APPLICABLE RECEPTACLE, OTHERWISE, THE CONNECTORS ARE NOT COMPLETELY MATED, AND INSERT THIS PLUG TO THE RECEPTACLE TO THE END UNTIL THE ↓ MARKING IS LOCATED IN THE CENTER OF THE CONNECTOR.

NOTES 1 THE RECOMMENDED TIGHTENING TORQUE, ADHESIVE AND PRIMER FOR M16×0.75 PORTION OF REF NO. 4 AND 9 AND M13×L2P1 PORTION OF REF NO. 9 AND 12 ARE AS FOLLINGS. THE ADHESIVE AND PRIMER SHOULD BE ATTACHED ON THE MALE SCREW PORTION OF REF NO. 9.

TIGHTENING TORQUE: 0.9 TO 1 N·m.  
ADHESIVE: LOCTITE 242 MADE BY HENKEL JAPAN LTD.  
PRIMER: LOCK PRIMER 7649, MADE BY HENKEL JAPAN LTD.

- 2 ROTATION EXAMPLES ARE SHOWN FOR REF. NO. 4 AND 12.
- 3 CABLE CLAMP STRENGTH AND WATERPROOF PERFORMANCE DEPEND ON CABLE STRUCTURE SUCH AS THE JACKET MATERIAL AND HARDNESS. WE RECOMMEND CHECKING THE PERFORMANCE BEFORE THE USAGE.
- 4 CONDUIT IS NOT APPLICABLE TO THIS CONNECTOR.

6	PHOSPHOR BRONZE	NICKEL PLATING	12	POLYPHENYLENE SULFIDE (BLACK)	UL94V-0
5	STAINLESS STEEL		11	POLYAMIDE (WHITE)	UL94V-0
4	ZINC ALLOY	BLACK CHROME PLATING	10	HYDROGENATION ACRYLONITRILE BUTADIENE RUBBER (GRAY)	
3	ZINC ALLOY	BLACK CHROME PLATING	9	POLYAMIDE (BLACK)	UL94V-0
2	COPPER ALLOY	SILVER PLATING 2μm MIN.	8	FLUORO RUBBER (BLACK)	
1	POLYPHENYLENE SULFIDE (BLACK)	UL94V-0	7	FLUORO RUBBER (BLACK)	
NO.	MATERIAL	FINISH, REMARKS	NO.	MATERIAL	FINISH, REMARKS

CODE NO. (OLD)	DRAWN	DESIGNED	CHECKED	APPROVED	RELEASED
CL	M.SATO	H.ZENBA	K.EZAWA	M.SATO	
	07.04.02	07.04.07	07.04.09	07.04.09	

SCALE	DRAWING NO.	PART NO.
2 : 1	EDC3-115284	HR34B-12WLPE-4S-X
UNITS	HIROSE ELECTRIC CO., LTD	CODE NO.
mm		CL134-0036-3

TO
R

## X-ON Electronics

Largest Supplier of Electrical and Electronic Components

*Click to view similar products for [Standard Circular Connector](#) category:*

*Click to view products by [Hirose](#) manufacturer:*

Other Similar products are found below :

[5M2530B10P](#) [600259N006](#) [600273N007](#) [6134-336-13149](#) [6134-337-11149](#) [6134-337-2390](#) [6134-341-17149](#) [6280-4SG-516](#) [6280-7SG-3DC](#)  
[6290](#) [6291A](#) [66200A-10](#) [680-SMG](#) [681-PMG](#) [CXS3102A14S2P](#) [CXS3102A181S](#) [7251-6SG-300](#) [7271-6SG-300](#) [7282-3PG-300-CH3](#) [75-](#)  
[474014-05S](#) [75-474618-01S](#) [75-474618-04S](#) [799539-000](#) [MI8-SE](#) [805-005-07NF11-19PC](#) [805-005-07NF15-7PA](#) [8280-4PG-516](#) [8280-7PG-](#)  
[519](#) [8282-5PG-519](#) [836783-1](#) [MP-4102-25P-C](#) [862256-1](#) [864019-2](#) [866857-1](#) [867865-1](#) [PT01SP-14-18P](#) [PT08P-14-5S](#) [PTSF06SE-14-12S](#)  
[120-1833-000](#) [QCM019PC2DC012B](#) [1-2069279-1](#) [121583-0217](#) [121667-0020](#) [129591AU](#) [1000B BULK](#) [RD10A16-19-P6CS051/1](#)  
[RD10A20-31-P8CS051/1](#) [RD16A14-12-S6CS051/2](#) [1301240290](#) [1301240347](#) [1301860202](#)