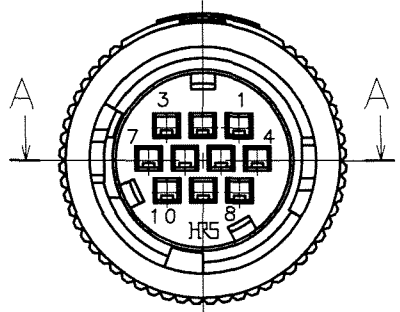
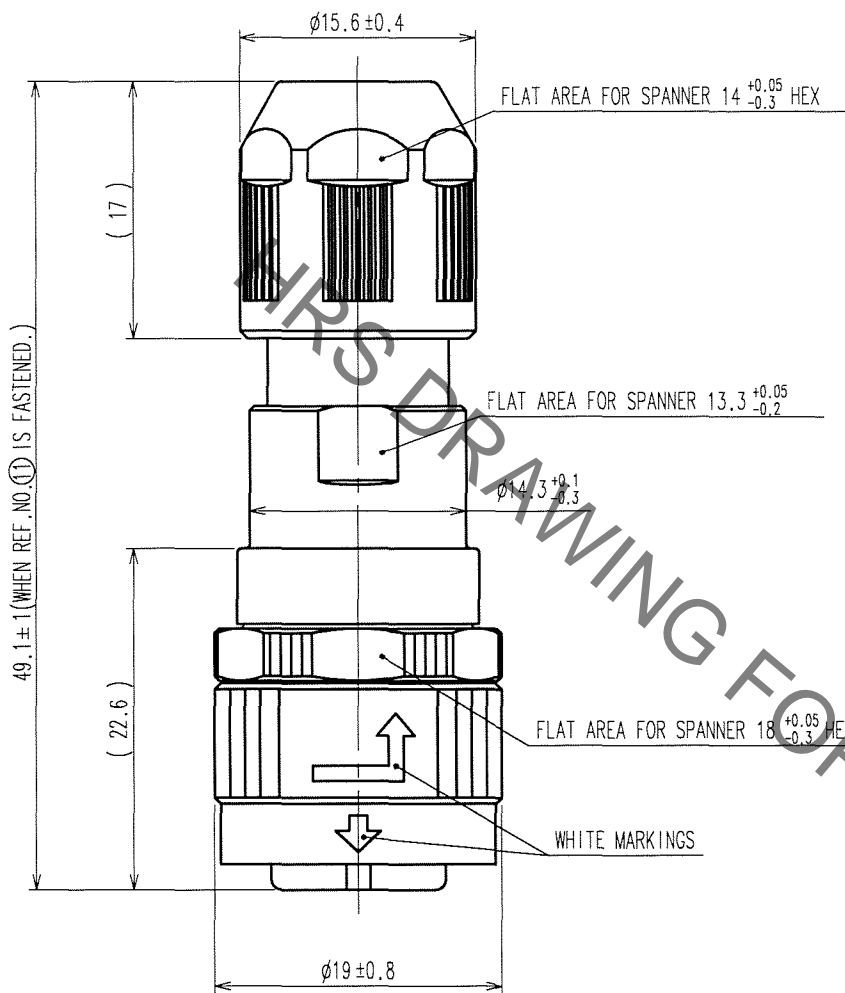
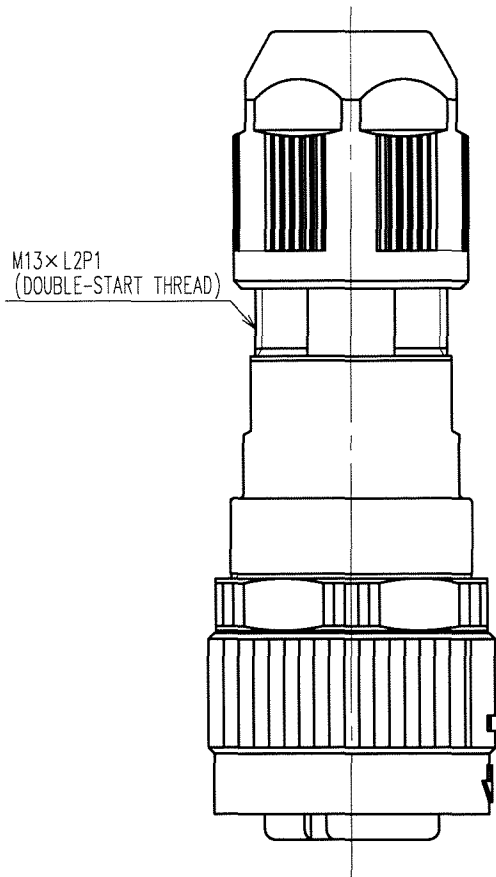
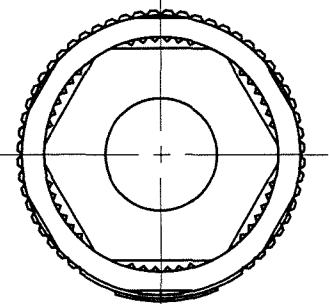
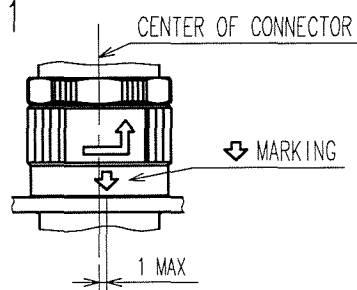
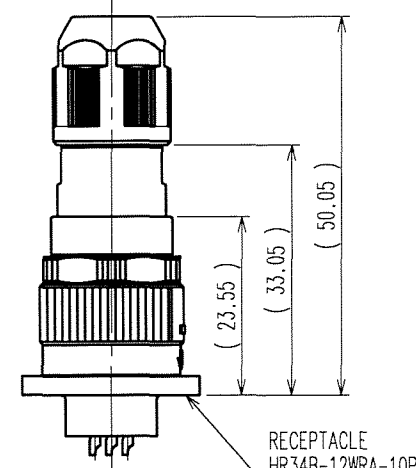
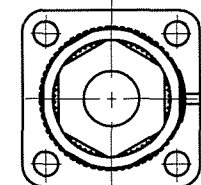
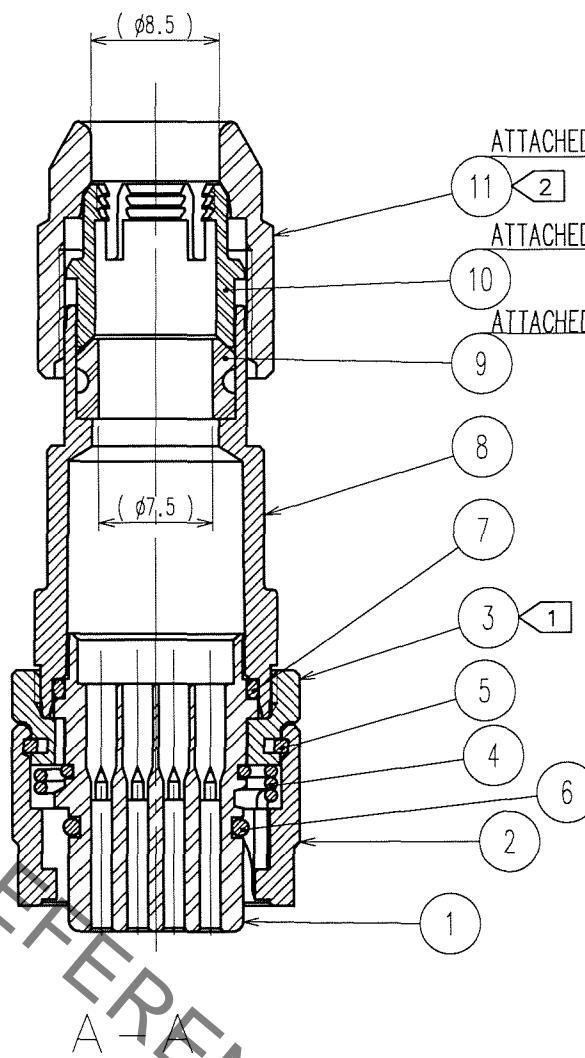


Sep.1.2021 Copyright 2021 HIROSE ELECTRIC CO., LTD. All Rights Reserved.
In case of consideration for using Automotive equipment / device which demand high reliability, kindly contact our sales window correspondents.

△ FIG. 1



COUNT	DESCRIPTION OF REVISIONS	BY	CHKD	DATE	COUNT	DESCRIPTION OF REVISIONS	BY	CHKD	DATE
2	DIS-C-000633	H.Z	K.E	07.05.30					



MATING CONDITION (1:1)
(WHEN REF. NO. ① IS FASTENED)

△ NOTE 7 MAKE SURE THAT ↕ MARKING IS POSITIONED WITHIN 1 FROM THE CENTER OF CONNECTOR AS SHOWN IN FIG.1. WHEN MATED TO THE APPLICABLE RECEPTACLE, OTHERWISE, THE CONNECTORS ARE NOT COMPLETELY MATED, AND INSERT THIS PLUG TO THE RECEPTACLE TO THE END UNTIL THE ↕ MARKING IS LOCATED IN THE CENTER OF THE CONNECTOR.

- NOTE ① THE RECOMMENDED TIGHTENING TORQUE OF REF. NO. ③: 0.9 TO 1 N·m.
THE RECOMMENDED ADHESIVE OF REF. NO. ③: LOCTITE 242 MADE BY HENKEL JAPAN LTD.
- ② THE RECOMMENDED TIGHTENING TORQUE OF REF. NO. ①: 0.9 TO 1 N·m.
THE RECOMMENDED ADHESIVE AND PRIMER OF REF. NO. ①: LOCTITE 242 AND LOCK PRIMER 7649 MADE BY HENKEL JAPAN LTD.
- 3 CABLE CLAMP STRENGTH AND WATERPROOF PERFORMANCE DEPEND ON CABLE STRUCTURE SUCH AS THE JACKET MATERIAL AND HARDNESS.
WE RECOMMEND CHECKING THE PERFORMANCE BEFORE THE USAGE.
- 4 ROTATION EXAMPLES ARE SHOWN FOR REF. NO. ①, ③, ⑧, AND ⑩.
- 5 THE RECOMMENDED CABLE: UL20276-SB(FLEX)5×23AWG+1P×25AWG MADE BY HITACHI CABLE LTD.
- 6 CONDUIT IS NOT APPLICABLE TO THIS CONNECTOR.

NO.	MATERIAL	FINISH, REMARKS	NO.	MATERIAL	FINISH, REMARKS
6	FLUORO RUBBER	(BLACK)	11	PPS	(BLACK) UL94V-0
5	PHOSPHOR BRONZE	NICKEL PLATING	10	POLYAMIDE	(WHITE) UL94V-0
4	STAINLESS STEEL		9	HYDROGENATION ACRYLONITRILE BUTADIENE RUBBER	(BLACK)
3	ZINC ALLOY	BLACK CHROME PLATING	8	ALUMINIUM ALLOY	BLACK CHROMATE TREATMENT (TRIVALENT CHROMIUM)
2	ZINC ALLOY	BLACK CHROME PLATING	7	FLUORO RUBBER	(BLACK)
1	PPS	(BLACK) UL94V-0			

CODE NO. (OLD)	DRAWN	DESIGNED	CHECKED	APPROVED	RELEASED
CL	H. NAGANO	H. NAGANO	E. KUNII	M. SATO	
	06.09.25	06.09.25	06.09.25	06.09.26	

SCALE	DRAWING NO.	PART NO.
2 : 1	EDC3-115194	HR34B-12WPB-10SC
UNITS	mm	CODE NO. CL134-0028-5

HRS

HIROSE ELECTRIC CO., LTD

X-ON Electronics

Largest Supplier of Electrical and Electronic Components

Click to view similar products for [Standard Circular Connector](#) category:

Click to view products by [Hirose](#) manufacturer:

Other Similar products are found below :

[5M2530B10P](#) [600259N006](#) [600273N007](#) [6134-336-13149](#) [6134-337-11149](#) [6134-337-2390](#) [6134-341-17149](#) [6280-4SG-516](#) [6280-7SG-3DC6290](#) [6291A](#) [66200A-10](#) [680-SMG](#) [681-PMG](#) [CXS3102A14S2P](#) [CXS3102A181S](#) [7251-6SG-300](#) [7271-6SG-300](#) [7282-3PG-300-CH3](#) [75-474014-05S](#) [75-474618-01S](#) [75-474618-04S](#) [799539-000](#) [MI8-SE](#) [805-005-07NF11-19PC](#) [805-005-07NF15-7PA](#) [8280-4PG-516](#) [8280-7PG-519](#) [8282-5PG-519](#) [836783-1](#) [MP-4102-25P-C](#) [862256-1](#) [864019-2](#) [866857-1](#) [867865-1](#) [PT01SP-14-18P](#) [PT08P-14-5S](#) [PTSF06SE-14-12S120-1833-000](#) [QCM019PC2DC012B](#) [1-2069279-1](#) [121583-0217](#) [121667-0020](#) [129591AU](#) [1000B BULK](#) [RD10A16-19-P6CS051/1](#)
[RD10A20-31-P8CS051/1](#) [RD16A14-12-S6CS051/2](#) [1301240290](#) [1301240347](#) [1301860202](#)