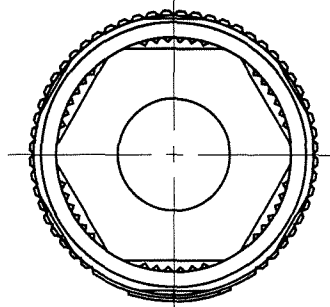
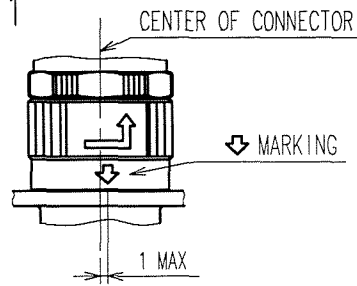
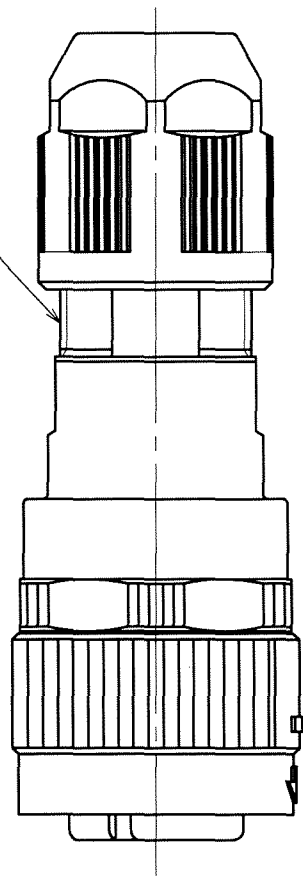


Aug.1.2021 Copyright 2021 HIROSE ELECTRIC CO., LTD. All Rights Reserved.
In case of consideration for using Automotive equipment / device which demand high reliability, kindly contact our sales window correspondents.

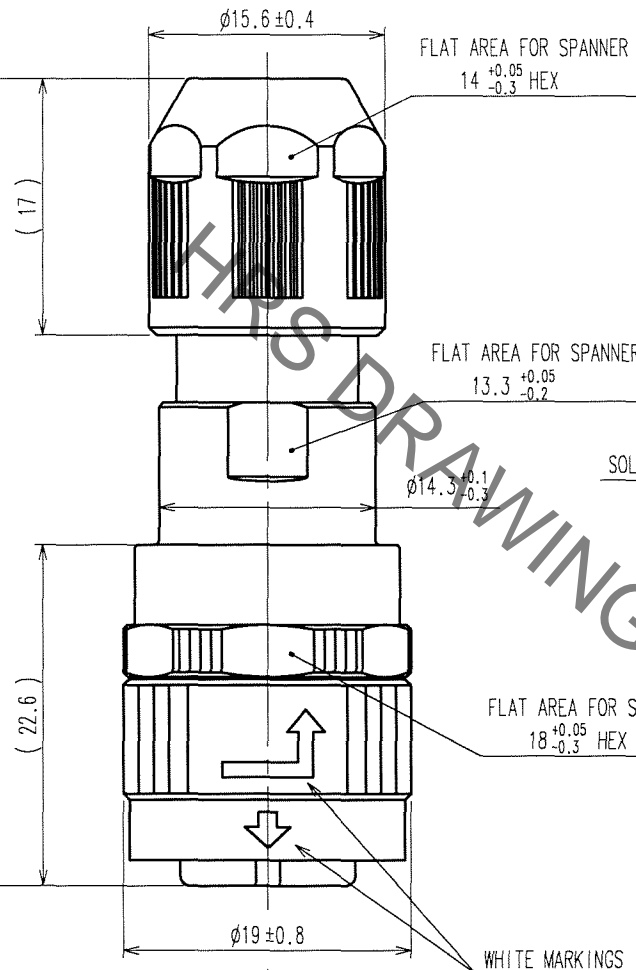
△ FIG. 1



M13×L2P1
(DOUBLE-START THREAD)



49.1±1 (WHEN REF. NO. ⑫ IS FASTENED.)



FLAT AREA FOR SPANNER
14 +0.05/-0.3 HEX

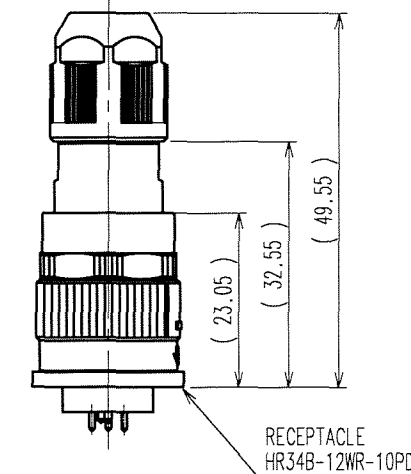
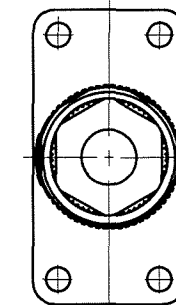
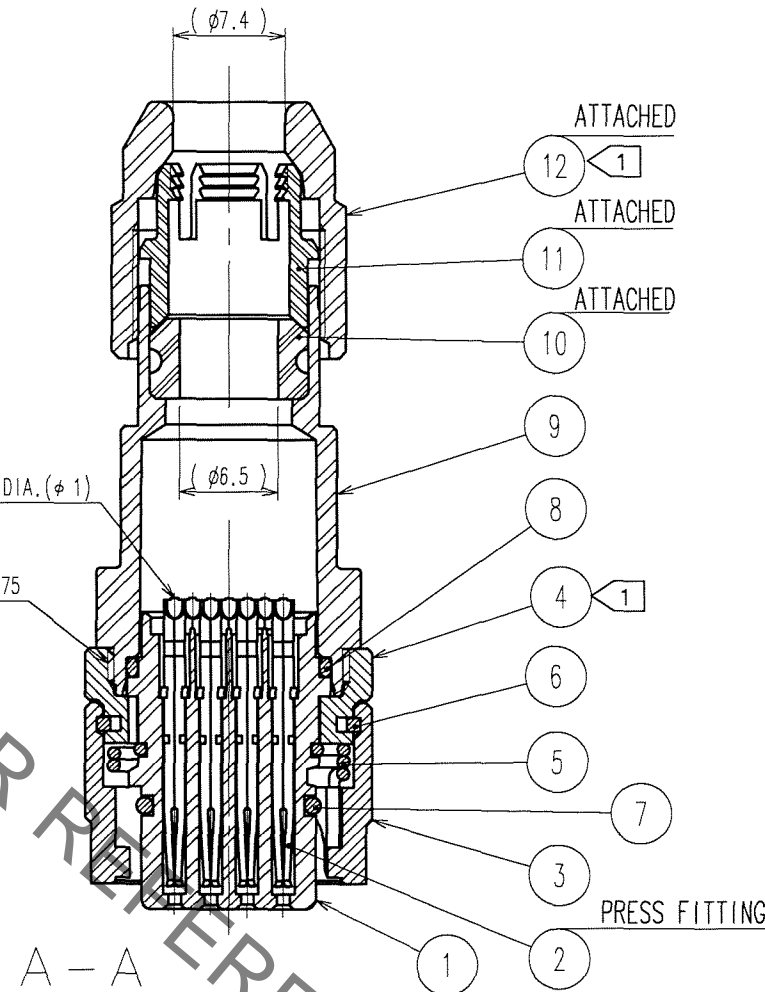
FLAT AREA FOR SPANNER
13.3 +0.05/-0.2

FLAT AREA FOR SPANNER
18 +0.05/-0.3 HEX

WHITE MARKINGS

SOLDER CUP INSIDE DIA. (φ 1)

M16×0.75



MATING CONDITION (1:1)
(WHEN REF. NO. ⑫ IS FASTENED)

△ NOTE 6 MAKE SURE THAT ↓ MARKING IS POSITIONED WITHIN 1 FROM THE CENTER OF CONNECTOR AS SHOWN IN FIG.1. WHEN MATED TO THE APPLICABLE RECEPTACLE, OTHERWISE, THE CONNECTORS ARE NOT COMPLETELY MATED, AND INSERT THIS PLUG TO THE RECEPTACLE TO THE END UNTIL THE ↓ MARKING IS LOCATED IN THE CENTER OF THE CONNECTOR.

- NOTES
- ① THE RECOMMENDED TIGHTENING TORQUE, ADHESIVE AND PRIMER FOR M16×0.75 PORTION OF REF NO. ④ AND ⑨ AND M13×L2P1 PORTION OF REF NO. ⑨ AND ⑫ ARE AS FOLLOWINGS. THE ADHESIVE AND PRIMER SHOULD BE ATTACHED ON THE MALE SCREW PORTION OF REF NO. ⑨. TIGHTENING TORQUE: 0.9 TO 1 N·m. ADHESIVE: LOCTITE 242 MADE BY HENKEL JAPAN LTD. PRIMER: LOCK PRIMER 7649, MADE BY HENKEL JAPAN LTD.
 - ② CONTACT AREA : GOLD 0.2μ m min. SOLDER AREA : GOLD FLASH UNDER PLATING : NICKEL 2μ m min.
 - ③ CABLE CLAMP STRENGTH AND WATERPROOF PERFORMANCE DEPEND ON CABLE STRUCTURE SUCH AS THE JACKET MATERIAL AND HARDNESS. WE RECOMMEND CHECKING THE PERFORMANCE BEFORE THE USAGE.
 - △ ④ CONDUIT IS NOT APPLICABLE TO THIS CONNECTOR.
 - ⑤ ROTATION EXAMPLES ARE SHOWN FOR REF. NO. ①, ④, ⑨ AND ⑫.

COUNT	DESCRIPTION OF REVISIONS	BY	CHKD	DATE	COUNT	DESCRIPTION OF REVISIONS	BY	CHKD	DATE
1	DIS-C-000354	H.Z	K.E	06.09.11					
1	DIS-C-000368	H.N	K.E	06.10.04					
2	DIS-C-000633	H.Z	K.E	07.05.25					

6	PHOSPHOR BRONZE	NICKEL PLATING	12	PPS	(BLACK)	UL94V-0
5	STAINLESS STEEL		11	POLYAMIDE	(WHITE)	UL94V-0
4	ZINC ALLOY	BLACK CHROME PLATING	10	HYDROGENATION ACRYLONITRILE BUTADIENE RUBBER	(BLACK)	
3	ZINC ALLOY	BLACK CHROME PLATING	9	POLYAMIDE	(BLACK)	UL94V-0
2	PHOSPHOR BRONZE	②	8	FLURO RUBBER	(BLACK)	
1	PPS	(BLACK) UL94V-0	7	FLURO RUBBER	(BLACK)	
NO.	MATERIAL	FINISH, REMARKS	NO.	MATERIAL	FINISH, REMARKS	

CODE NO. (OLD) CL	DRAWN H. ZENBA 060714	DESIGNED H. ZENBA 060714	CHECKED K. EZAWA 060714	APPROVED M. SATO 060714	RELEASED
SCALE 2 : 1	DRAWING NO. EDC3-115190		PART NO. HR34B-12WPD-10S		
UNITS mm	HRS HIROSE ELECTRIC CO., LTD		CODE NO. CL134-0026-0		1/1

TO
R

X-ON Electronics

Largest Supplier of Electrical and Electronic Components

Click to view similar products for [Standard Circular Connector](#) category:

Click to view products by [Hirose](#) manufacturer:

Other Similar products are found below :

[5M2530B10P](#) [600259N006](#) [600273N007](#) [6134-336-13149](#) [6134-337-11149](#) [6134-337-2390](#) [6134-341-17149](#) [6280-4SG-516](#) [6280-7SG-3DC](#)
[6290](#) [6291A](#) [66200A-10](#) [680-SMG](#) [681-PMG](#) [CXS3102A14S2P](#) [CXS3102A181S](#) [7251-6SG-300](#) [7271-6SG-300](#) [7282-3PG-300-CH3](#) [75-](#)
[474014-05S](#) [75-474618-01S](#) [75-474618-04S](#) [799539-000](#) [MI8-SE](#) [805-005-07NF11-19PC](#) [805-005-07NF15-7PA](#) [8280-4PG-516](#) [8280-7PG-](#)
[519](#) [8282-5PG-519](#) [836783-1](#) [MP-4102-25P-C](#) [862256-1](#) [864019-2](#) [866857-1](#) [867865-1](#) [PT01SP-14-18P](#) [PT08P-14-5S](#) [PTSF06SE-14-12S](#)
[120-1833-000](#) [QCM019PC2DC012B](#) [1-2069279-1](#) [121583-0217](#) [121667-0020](#) [129591AU](#) [1000B BULK](#) [RD10A16-19-P6CS051/1](#)
[RD10A20-31-P8CS051/1](#) [RD16A14-12-S6CS051/2](#) [1301240290](#) [1301240347](#) [1301860202](#)