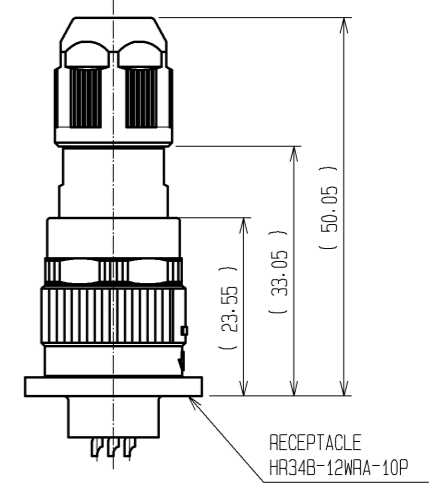
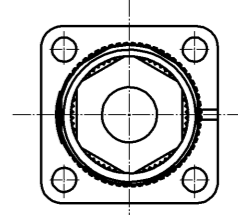
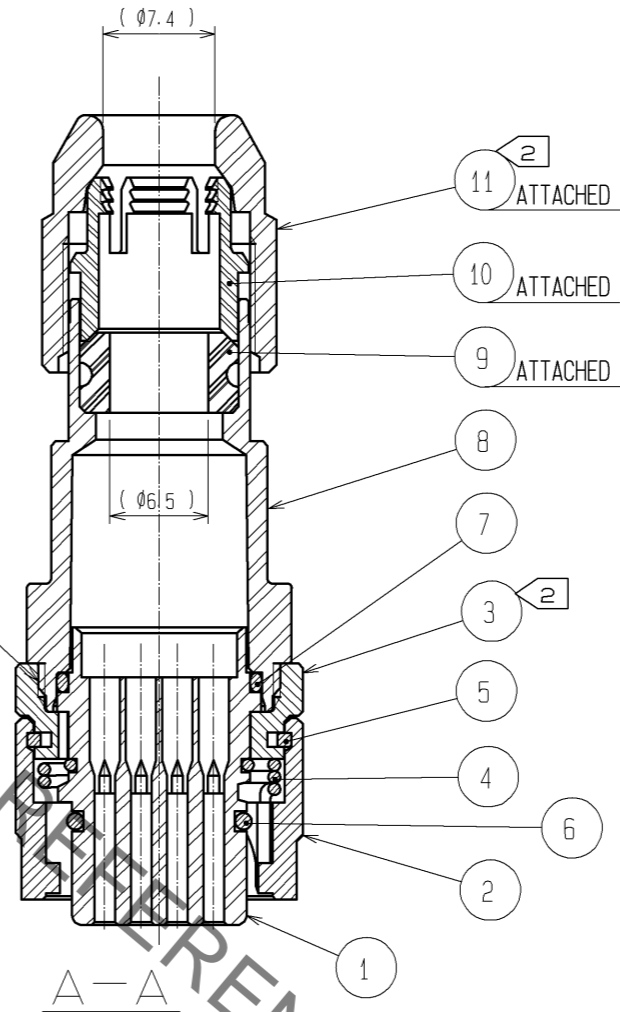
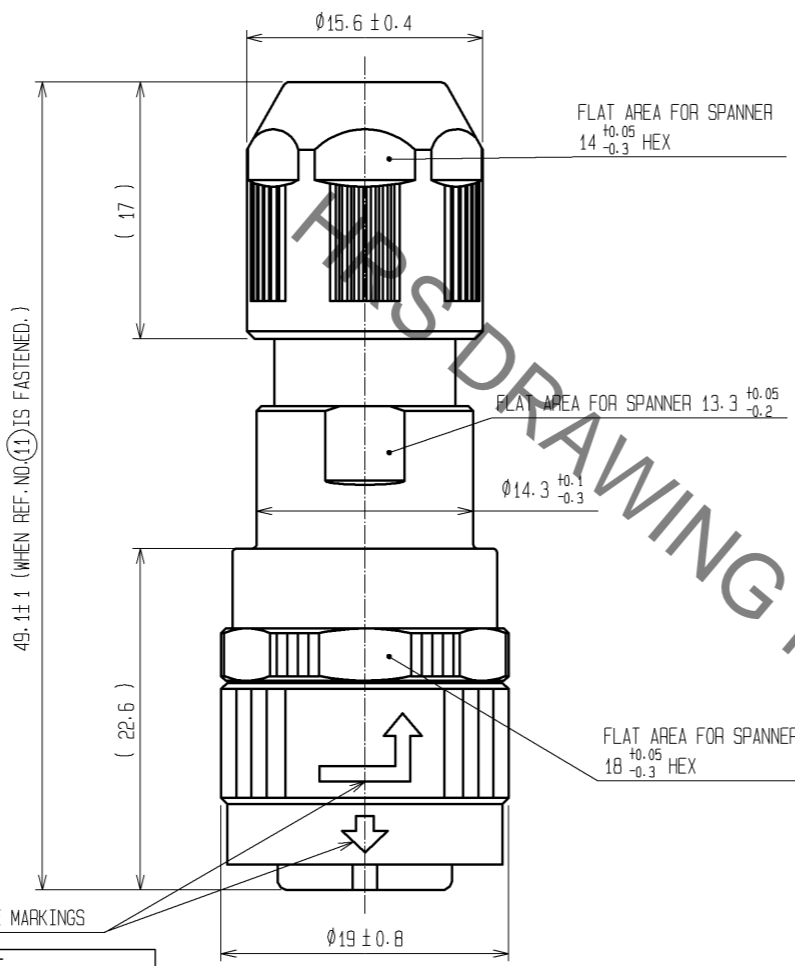
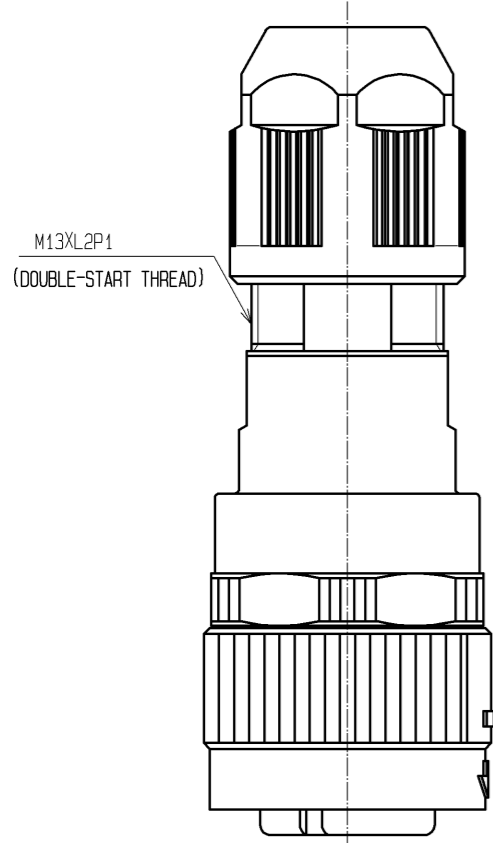
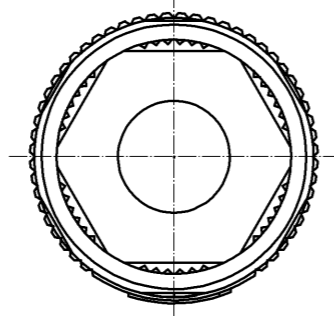
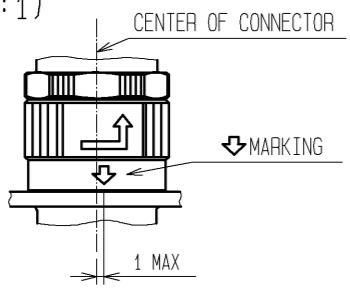


Sep.1.2021 Copyright 2021 HIROSE ELECTRIC CO., LTD. All Rights Reserved. In case of consideration for using Automotive equipment / device which demand high reliability, kindly contact our sales window correspondents.

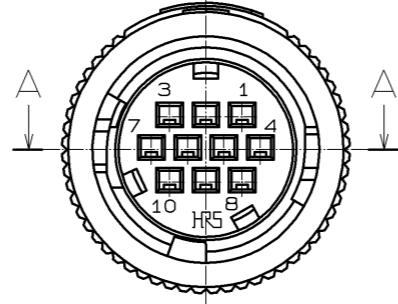
FIG. 1(1:1)



MATING CONDITION(1:1)
(WHEN REF. NO. (11) IS FASTENED)

1 TABLE 1

APPLICABLE CRIMP CONTACT			
KIND	HRS No.	PART No.	APPLICABLE WIRE
LOOSE PIECE CONTACT	134-0051-7	HR34B-SC1-111	AWG#20~AWG#25
STRIP CONTACT	134-0050-4	HR34B-SC1-211	AWG#20~AWG#25
APPLICABLE TOOL			
KIND	ITEM	HRS No.	PART No.
HAND	HAND CRIMP TOOL	150-0107-9	HT304/HR34B-1
AUTOMATIC	AUTOMATIC CRIMPING MACHINE	901-0005-4	CM-105
	APPLICATOR	901-2051-2	AP105-HR34B-1
	CONTACT EXTRACTION TOOL	150-0039-0	RP6-SC-TP



NOTES 6 CABLE CLAMP STRENGTH AND WATERPROOF PERFORMANCE DEPEND ON CABLE STRUCTURE SUCH AS THE JACKET MATERIAL AND HARDNESS. WE RECOMMEND CHECKING THE PERFORMANCE BEFORE THE USAGE.

- NOTES
- TABLE 1 SHOWS APPLICABLE CRIMP CONTACT AND APPLICABLE TOOL.
 - THE RECOMMENDED TIGHTENING TORQUE, ADHESIVE AND PRIMER FOR M16X0.75 PORTION OF REF. NO. (3) AND (8) AND M13XL2P1 PORTION OF REF. NO. (8) AND (11) ARE AS FOLLOWS. THE ADHESIVE AND PRIMER SHOULD BE ATTACHED ON THE MALE SCREW PORTION OF REF. NO. (8). TIGHTENING TORQUE: 0.9 TO 1 N·m.
 - ADHESIVE: LOCTITE 243 MADE BY HENKEL JAPAN LTD. PRIMER: LOCK PRIMER 7649, MADE BY HENKEL JAPAN LTD.
 - CONDUIT IS NOT APPLICABLE TO THIS CONNECTOR.
 - ROTATION EXAMPLES ARE SHOWN FOR REF. NO. (1), (3), (8) AND (11).
 - MAKE SURE THAT MARKING IS POSITIONED WITHIN 1 FROM THE CENTER OF CONNECTOR AS SHOWN IN FIG. 1. WHEN MATED TO THE APPLICABLE RECEPTACLE, OTHERWISE, THE CONNECTORS ARE NOT COMPLETELY MATED, AND INSERT THIS PLUG TO THE RECEPTACLE TO THE END UNTIL THE MARKING IS LOCATED IN THE CENTER OF THE CONNECTOR.

NO.	MATERIAL	FINISH	REMARKS	NO.	MATERIAL	FINISH	REMARKS
6	FLUORO RUBBER	(BLACK)		11	POLYPHENYLENE SULFIDE	(BLACK)	UL94V-0
5	PHOSPHOR BRONZE	NICKEL PLATING		10	POLYAMIDE	(WHITE)	UL94V-0
4	STAINLESS STEEL			9	HYDROGENATION ACRYLONITRILE BUTADIENE RUBBER	(BLACK)	
3	ZINC ALLOY	BLACK CHROME PLATING		8	POLYAMIDE	(BLACK)	UL94V-0
2	ZINC ALLOY	BLACK CHROME PLATING		7	FLUORO RUBBER	(BLACK)	
1	POLYPHENYLENE SULFIDE	(BLACK)	UL94V-0				

UNITS	SCALE	COUNT	DESCRIPTION OF REVISIONS	DESIGNED	CHECKED	DATE
mm	2:1	7	DIS-C-002525	MM. ISHII	HY. KISHI	14.10.28

APPROVED	DATE	DRAWING NO.
MO. SATOH	08.05.19	EDC3-115406-00
SI. MATSUZAKI	08.05.19	PART NO. HR34B-12WPD-10SC
HT. ZENBA	08.05.13	CODE NO. CL134-0037-6-00
HT. ZENBA	08.05.13	

X-ON Electronics

Largest Supplier of Electrical and Electronic Components

Click to view similar products for [Standard Circular Connector](#) category:

Click to view products by [Hirose](#) manufacturer:

Other Similar products are found below :

[5M2530B10P](#) [600259N006](#) [600273N007](#) [6134-336-13149](#) [6134-337-11149](#) [6134-337-2390](#) [6134-341-17149](#) [6280-4SG-516](#) [6280-7SG-3DC](#)
[6290](#) [6291A](#) [66200A-10](#) [680-SMG](#) [681-PMG](#) [CXS3102A14S2P](#) [CXS3102A181S](#) [7251-6SG-300](#) [7271-6SG-300](#) [7282-3PG-300-CH3](#) [75-](#)
[474014-05S](#) [75-474618-01S](#) [75-474618-04S](#) [799539-000](#) [MI8-SE](#) [805-005-07NF11-19PC](#) [805-005-07NF15-7PA](#) [8280-4PG-516](#) [8280-7PG-](#)
[519](#) [8282-5PG-519](#) [836783-1](#) [MP-4102-25P-C](#) [862256-1](#) [864019-2](#) [866857-1](#) [867865-1](#) [PT01SP-14-18P](#) [PT08P-14-5S](#) [PTSF06SE-14-12S](#)
[120-1833-000](#) [QCM019PC2DC012B](#) [1-2069279-1](#) [121583-0217](#) [121667-0020](#) [129591AU](#) [1000B BULK](#) [RD10A16-19-P6CS051/1](#)
[RD10A20-31-P8CS051/1](#) [RD16A14-12-S6CS051/2](#) [1301240290](#) [1301240347](#) [1301860202](#)