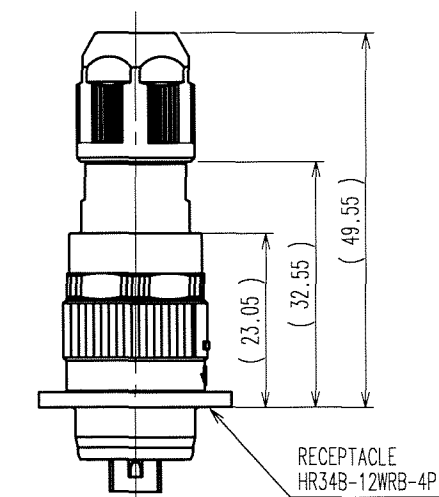
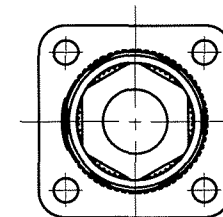
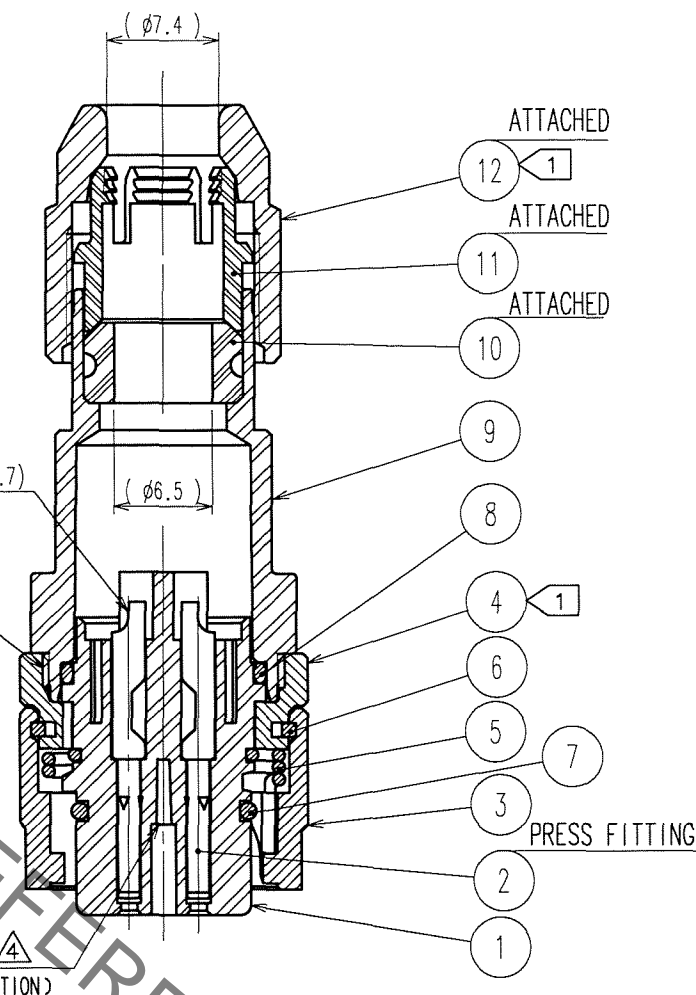
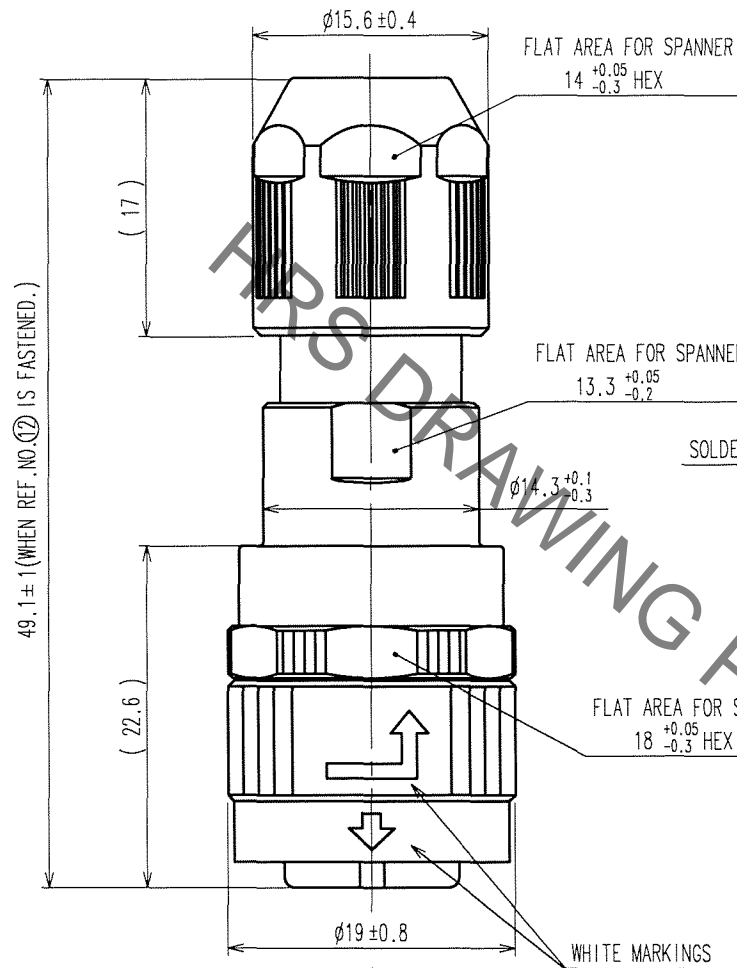
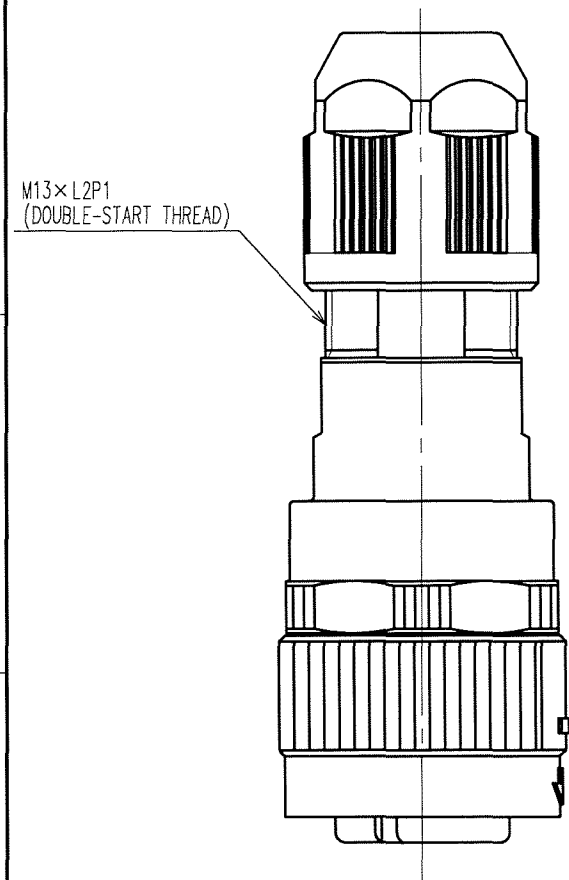
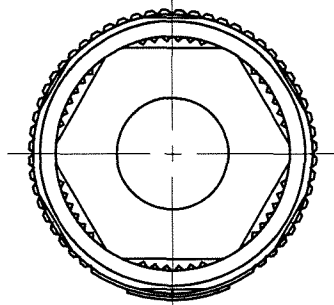
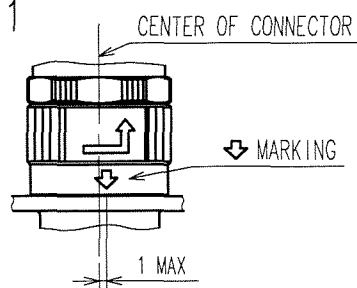


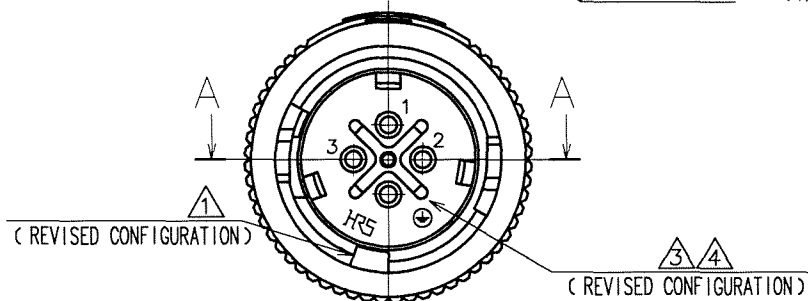
Sep.1.2021 Copyright 2021 HIROSE ELECTRIC CO., LTD. All Rights Reserved.
In case of consideration for using Automotive equipment / device which demand high reliability, kindly contact our sales window correspondents.

△ FIG. 1



MATING CONDITION (1:1)
(WHEN REF. NO. 12 IS FASTENED)

COUNT	DESCRIPTION OF REVISIONS	BY	CHKD	DATE	COUNT	DESCRIPTION OF REVISIONS	BY	CHKD	DATE
1	DIS-C-000354	H.Z	K.E	06.09.11	2	DIS-C-000542	H.Z	K.E	07.03.09
1	DIS-C-000368	H.N	E.K	06.10.04	2	DIS-C-000633	H.Z	K.E	07.05.25
1	DIS-C-000516	H.Z	K.E	07.02.16					



NOTES 1 THE RECOMMENDED TIGHTENING TORQUE, ADHESIVE AND PRIMER FOR M16x0.75 PORTION OF REF NO. 4 AND 9 AND M13xL2P1 PORTION OF REF NO. 9 AND 12 ARE AS FOLLOWINGS. THE ADHESIVE AND PRIMER SHOULD BE ATTACHED ON THE MALE SCREW PORTION OF REF NO. 9.

TIGHTENING TORQUE: 0.9 TO 1 N · m.
ADHESIVE: LOCTITE 242 MADE BY HENKEL JAPAN LTD.
PRIMER: LOCK PRIMER 7649, MADE BY HENKEL JAPAN LTD.

- 2 CABLE CLAMP STRENGTH AND WATERPROOF PERFORMANCE DEPEND ON CABLE STRUCTURE SUCH AS THE JACKET MATERIAL AND HARDNESS. WE RECOMMEND CHECKING THE PERFORMANCE BEFORE THE USAGE.
- 3 CONDUIT IS NOT APPLICABLE TO THIS CONNECTOR.
- 4 ROTATION EXAMPLES ARE SHOWN FOR REF. NO. 1, 4, 9 AND 12.

NOTE 5 MAKE SURE THAT MARKING IS POSITIONED WITHIN 1 FROM THE CENTER OF CONNECTOR AS SHOWN IN FIG.1. WHEN MATED TO THE APPLICABLE RECEPTACLE, OTHERWISE, THE CONNECTORS ARE NOT COMPLETELY MATED, AND INSERT THIS PLUG TO THE RECEPTACLE TO THE END UNTIL THE MARKING IS LOCATED IN THE CENTER OF THE CONNECTOR.

6	PHOSPHOR BRONZE	NICKEL PLATING	12	PPS	(BLACK)	UL94V-0
5	STAINLESS STEEL		11	POLYAMIDE	(WHITE)	UL94V-0
4	ZINC ALLOY	BLACK CHROME PLATING	10	HYDROGENATION ACRYLONITRILE BUTADIENE RUBBER	(BLACK)	
3	ZINC ALLOY	BLACK CHROME PLATING	9	POLYAMIDE	(BLACK)	UL94V-0
2	COPPER ALLOY	SILVER PLATING 2μm MIN	8	FLURO RUBBER	(BLACK)	
1	PPS	(BLACK)	7	FLURO RUBBER	(BLACK)	

NO.	MATERIAL	FINISH, REMARKS	NO.	MATERIAL	FINISH, REMARKS		
CODE NO. (OLD)	CL		DRAWN	DESIGNED	CHECKED	APPROVED	RELEASED
			H. ZENBA	H. ZENBA	K. EZAWA	M. SATO	
			060714	060714	060714	060714	
DRAWING NO. EDC3-114850			PART NO. HR34B-12WPD-4S				
SCALE 2:1			CODE NO. CL134-0020-3				
UNITS mm			HRS HIROSE ELECTRIC CO., LTD				

TO
R

X-ON Electronics

Largest Supplier of Electrical and Electronic Components

Click to view similar products for [Standard Circular Connector](#) category:

Click to view products by [Hirose](#) manufacturer:

Other Similar products are found below :

[5M2530B10P](#) [600259N006](#) [600273N007](#) [6134-336-13149](#) [6134-337-11149](#) [6134-337-2390](#) [6134-341-17149](#) [6280-4SG-516](#) [6280-7SG-3DC6290](#) [6291A](#) [66200A-10](#) [680-SMG](#) [681-PMG](#) [CXS3102A14S2P](#) [CXS3102A181S](#) [7251-6SG-300](#) [7271-6SG-300](#) [7282-3PG-300-CH3](#) [75-474014-05S](#) [75-474618-01S](#) [75-474618-04S](#) [799539-000](#) [MI8-SE](#) [805-005-07NF11-19PC](#) [805-005-07NF15-7PA](#) [8280-4PG-516](#) [8280-7PG-519](#) [8282-5PG-519](#) [836783-1](#) [MP-4102-25P-C](#) [862256-1](#) [864019-2](#) [866857-1](#) [867865-1](#) [PT01SP-14-18P](#) [PT08P-14-5S](#) [PTSF06SE-14-12S120-1833-000](#) [QCM019PC2DC012B](#) [1-2069279-1](#) [121583-0217](#) [121667-0020](#) [129591AU](#) [1000B BULK](#) [RD10A16-19-P6CS051/1](#)
[RD10A20-31-P8CS051/1](#) [RD16A14-12-S6CS051/2](#) [1301240290](#) [1301240347](#) [1301860202](#)