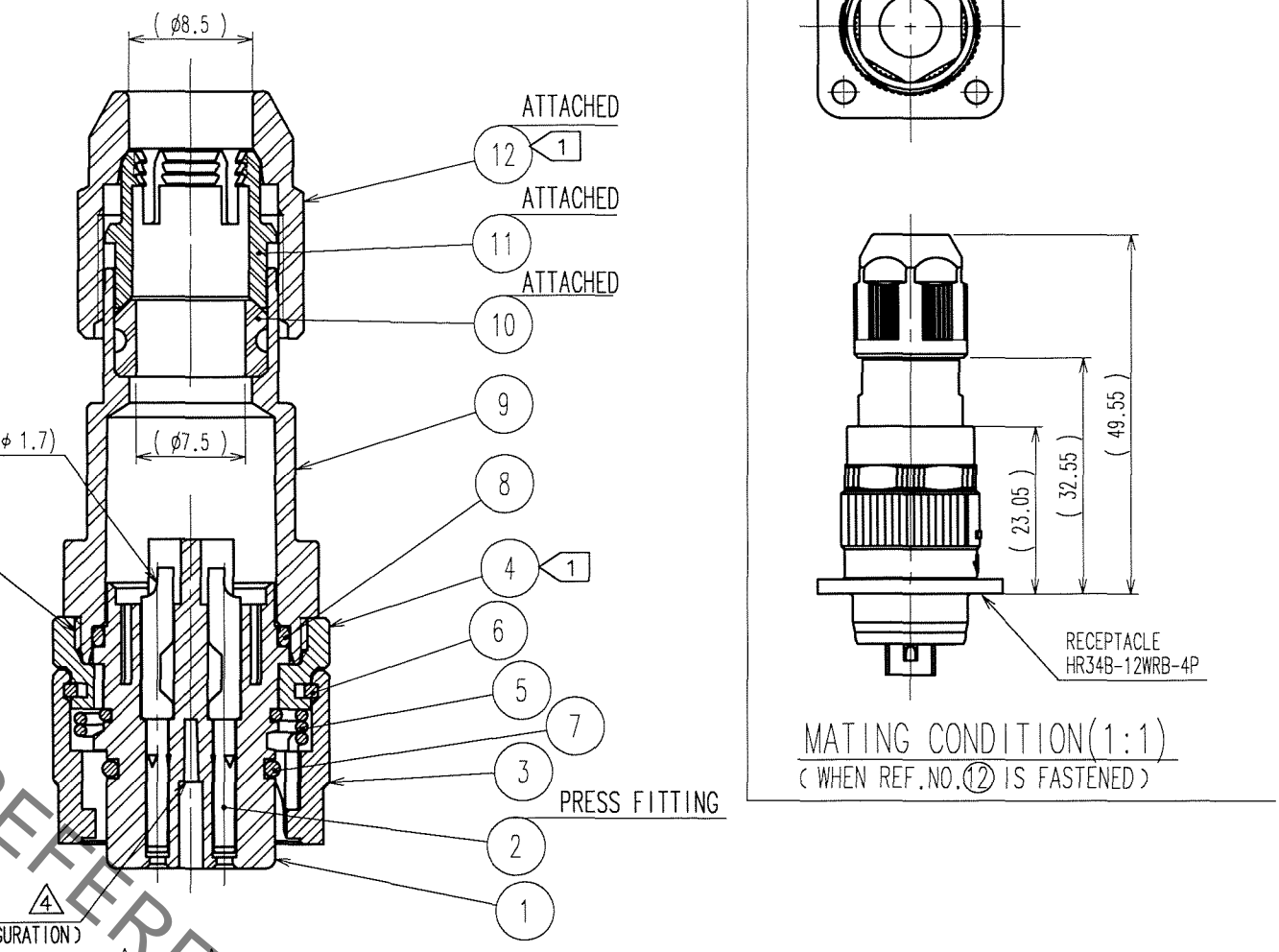
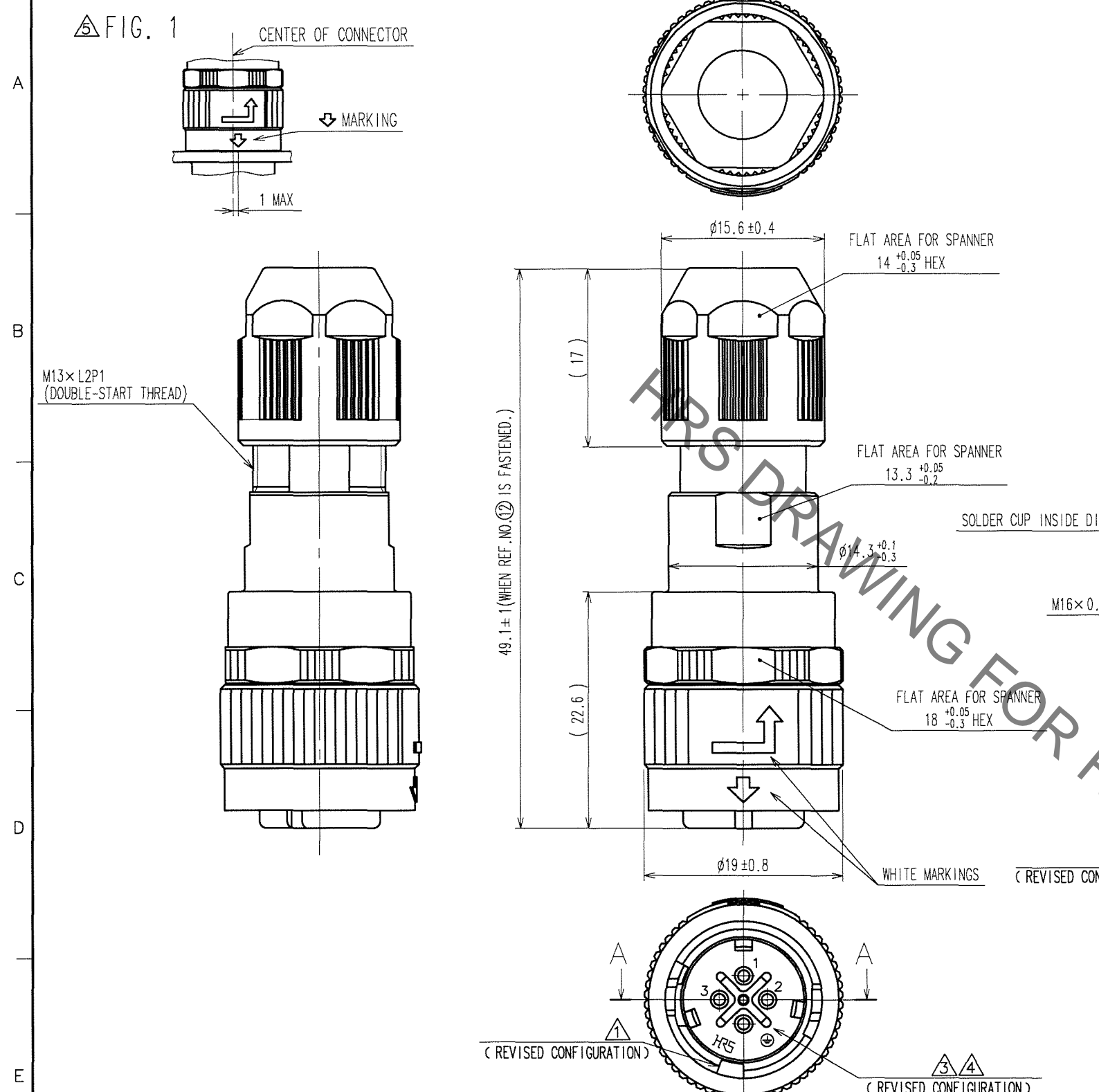


Aug.1.2021 Copyright 2021 HIROSE ELECTRIC CO., LTD. All Rights Reserved.
In case of consideration for using Automotive equipment / device which demand high reliability, kindly contact our sales window correspondents.

COUNT	DESCRIPTION OF REVISIONS	BY	CHKD	DATE	COUNT	DESCRIPTION OF REVISIONS	BY	CHKD	DATE
1	DIS-C-000354	H.Z	K.E	06.09.11	4	DIS-C-000542	H.Z	K.E	07.03.09
2	DIS-C-000368	H.N	E.K	06.10.04	5	DIS-C-000633	H.Z	K.E	07.05.25
3	DIS-C-000516	H.Z	K.E	07.02.16					



NOTES 1 THE RECOMMENDED TIGHTENING TORQUE, ADHESIVE AND PRIMER FOR M16×0.75 PORTION OF REF NO. 4 AND 9 AND M13×L2P1 PORTION OF REF NO. 9 AND 12 ARE AS FOLLOWINGS. THE ADHESIVE AND PRIMER SHOULD BE ATTACHED ON THE MALE SCREW PORTION OF REF NO. 9.

TIGHTENING TORQUE: 0.9 TO 1 N·m.
ADHESIVE: LOCTITE 242 MADE BY HENKEL JAPAN LTD.
PRIMER: LOCK PRIMER 7649, MADE BY HENKEL JAPAN LTD.

- 2 CABLE CLAMP STRENGTH AND WATERPROOF PERFORMANCE DEPEND ON CABLE STRUCTURE SUCH AS THE JACKET MATERIAL AND HARDNESS. WE RECOMMEND CHECKING THE PERFORMANCE BEFORE THE USAGE.
- 3 CONDUIT IS NOT APPLICABLE TO THIS CONNECTOR.
- 4 ROTATION EXAMPLES ARE SHOWN FOR REF. NO. 1, 4, 9 AND 12.

NO.	MATERIAL	FINISH, REMARKS	NO.	MATERIAL	FINISH, REMARKS
6	PHOSPHOR BRONZE	NICKEL PLATING	12	PPS	(BLACK) UL94V-0
5	STAINLESS STEEL		11	POLYAMIDE	(WHITE) UL94V-0
4	ZINC ALLOY	BLACK CHROME PLATING	10	HYDROGENATION ACRYLONITRILE BUTADIENE RUBBER	(GRAY)
3	ZINC ALLOY	BLACK CHROME PLATING	9	POLYAMIDE	(BLACK) UL94V-0
2	COPPER ALLOY	SILVER PLATING 2μm MIN	8	FLURO RUBBER	(BLACK)
1	PPS	(BLACK) UL94V-0	7	FLURO RUBBER	(BLACK)

CODE NO. (OLD) CL	DRAWN H. ZENBA 060714	DESIGNED H. ZENBA 060714	CHECKED K. EZAWA 060714	APPROVED M. SATO 060714	RELEASED
DRAWING NO. EDC3-115189		PART NO. HR34B-12WPE-4S			
SCALE 2 : 1		UNITS mm		CODE NO. CL134-0025-7	
HRS HIROSE ELECTRIC CO., LTD					

TO
R

X-ON Electronics

Largest Supplier of Electrical and Electronic Components

Click to view similar products for [Standard Circular Connector](#) category:

Click to view products by [Hirose](#) manufacturer:

Other Similar products are found below :

[5M2530B10P](#) [600259N006](#) [600273N007](#) [6134-336-13149](#) [6134-337-11149](#) [6134-337-2390](#) [6134-341-17149](#) [6280-4SG-516](#) [6280-7SG-3DC](#)
[6290](#) [6291A](#) [66200A-10](#) [680-SMG](#) [681-PMG](#) [CXS3102A14S2P](#) [CXS3102A181S](#) [7251-6SG-300](#) [7271-6SG-300](#) [7282-3PG-300-CH3](#) [75-](#)
[474014-05S](#) [75-474618-01S](#) [75-474618-04S](#) [799539-000](#) [MI8-SE](#) [805-005-07NF11-19PC](#) [805-005-07NF15-7PA](#) [8280-4PG-516](#) [8280-7PG-](#)
[519](#) [8282-5PG-519](#) [836783-1](#) [MP-4102-25P-C](#) [862256-1](#) [864019-2](#) [866857-1](#) [867865-1](#) [PT01SP-14-18P](#) [PT08P-14-5S](#) [PTSF06SE-14-12S](#)
[120-1833-000](#) [QCM019PC2DC012B](#) [1-2069279-1](#) [121583-0217](#) [121667-0020](#) [129591AU](#) [1000B BULK](#) [RD10A16-19-P6CS051/1](#)
[RD10A20-31-P8CS051/1](#) [RD16A14-12-S6CS051/2](#) [1301240290](#) [1301240347](#) [1301860202](#)