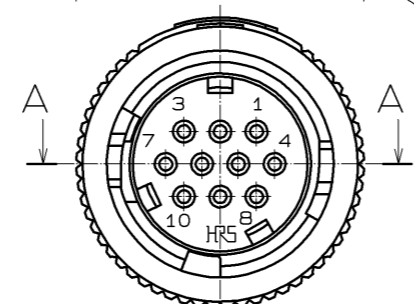
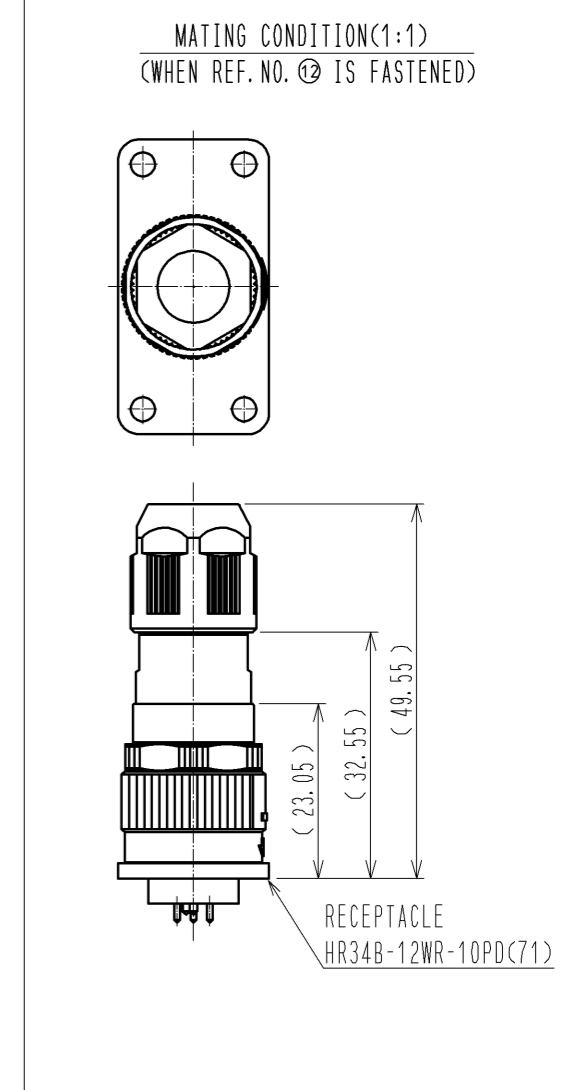
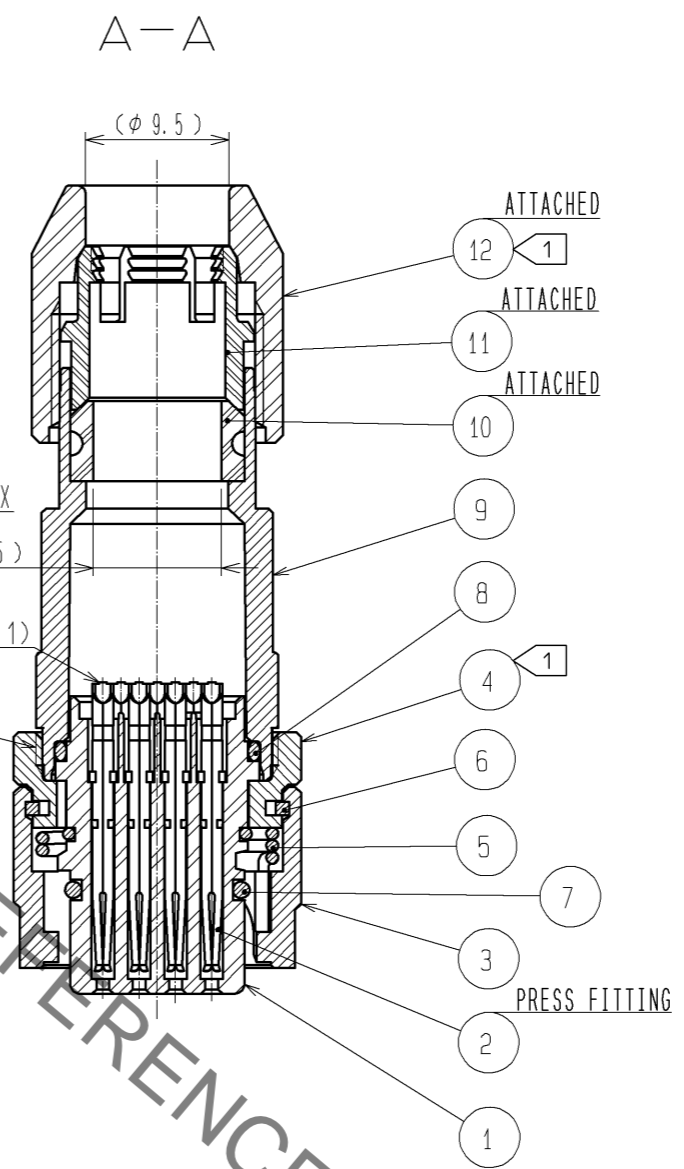
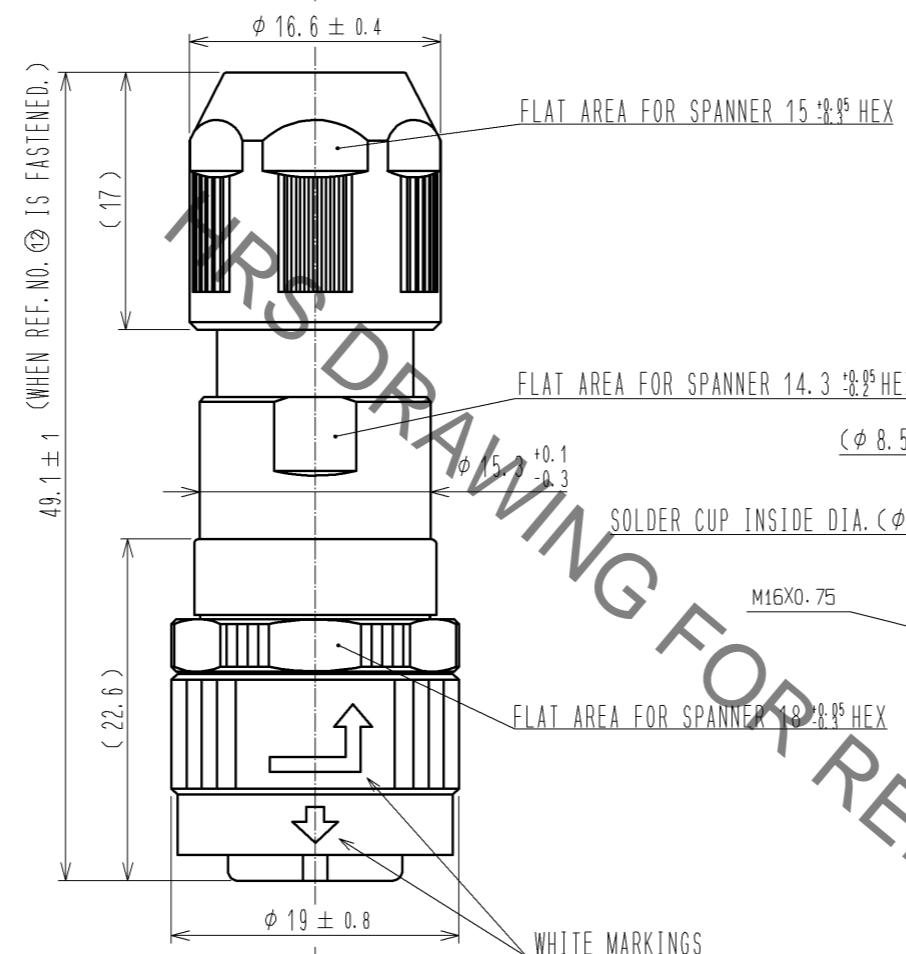
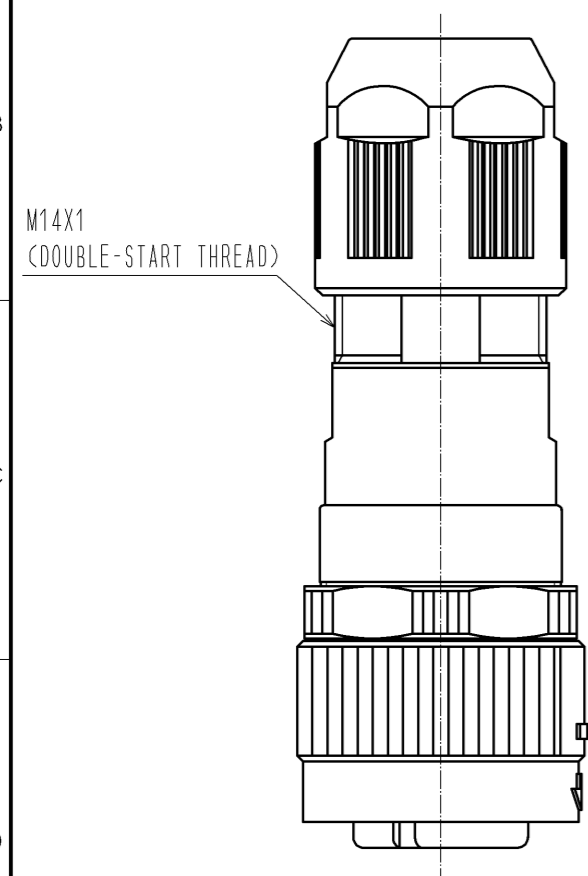
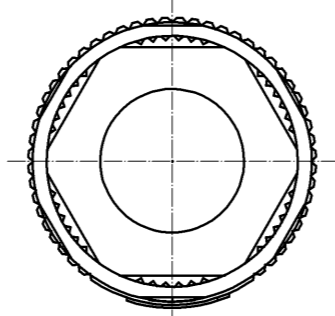
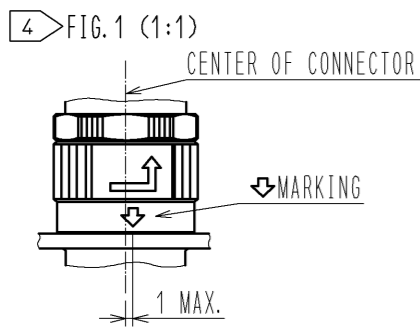


Sep.1.2021 Copyright 2021 HIROSE ELECTRIC CO., LTD. All Rights Reserved.
In case of consideration for using Automotive equipment / device which demand high reliability, kindly contact our sales window correspondents.



NOTES 1 THE RECOMMENDED TIGHTENING TORQUE, ADHESIVE AND PRIMER FOR M16X0.75 PORTION OF REF. ④ AND ⑨ AND M14X1 PORTION OF REF. NO. ⑨ AND ⑫ ARE AS FOLLOWINGS.
THE ADHESIVE AND PRIMER SHOULD BE ATTACHED ON THE MALE SCREW PORTION OF REF. NO. ⑨.
TIGHTENING TORQUE: 0.9 TO 1 N · m.
ADHESIVE: LOCTITE 242 MADE BY HENKEL JAPAN LTD.
PRIMER: LOCK PRIMER 7649, MADE BY HENKEL JAPAN LTD. (ONLY M14X1)

2 ROTATION EXAMPLES ARE SHOWN FOR REF. NO. ①, ④, ⑨, AND ⑫.

3 CONDUIT IS NOT APPLICABLE TO THIS CONNECTOR.

4 MAKE SURE THAT ↕ MARKING IS POSITIONED WITHIN 1 FROM THE CENTER OF CONNECTOR AS SHOWN IN FIG. 1. WHEN MATED TO THE APPLICABLE RECEPTACLE, OTHERWISE, THE CONNECTORS ARE NOT COMPLETELY MATED, AND INSERT THIS PLUG TO THE RECEPTACLE TO THE END UNTIL THE ↕ MARKING IS LOCATED IN THE CENTER OF THE CONNECTOR.

NOTES 5 CABLE CLAMP STRENGTH AND WATERPROOF PERFORMANCE DEPEND ON CABLE STRUCTURE SUCH AS THE JACKET MATERIAL AND HARDNESS.
WE RECOMMEND CHECKING THE PERFORMANCE BEFORE THE USAGE.

NO.	MATERIAL	FINISH	REMARKS	NO.	MATERIAL	FINISH	REMARKS
5	STAINLESS STEEL			12	POLYPHENYLENE SULFIDE	(BLACK)	UL94V-0
4	ZINC ALLOY	BLACK CHROME PLATING		11	POLYAMIDE	(WHITE)	UL94V-0
3	ZINC ALLOY	BLACK CHROME PLATING		10	HYDROGENATION ACRYLONITRILE BUTADIENE RUBBER	(BLACK)	
2	PHOSPHOR BRONZE	CONTACT AREA: GOLD 0.2 μm MIN.	9	ALUMINUM ALLOY	ZINC PLATING	BLACK CHROMATE TREATMENT	
		TERMINAL AREA: GOLD FLASH UNDER PLATING: NICKEL 2 μm MIN.	8	FLUORO RUBBER	(BLACK)		
1	POLYPHENYLENE SULFIDE	(BLACK) UL94V-0		7	FLUORO RUBBER	(BLACK)	
				6	PHOSPHOR BRONZE	NICKEL PLATING	

UNITS	SCALE	COUNT	DESCRIPTION OF REVISIONS	DESIGNED	CHECKED	DATE
mm	2 : 1	△				
APPROVED : SU. OBARA			10.07.21	DRAWING NO. EDC3-116795-00		
CHECKED : HY. KISHI			10.07.21	PART NO. HR34B-12WPK-10S		
DESIGNED : TH. KAMEYA			10.07.21	CODE NO. CL134-0052-0-00		
DRAWN : YS. SAKODA			10.07.21	△ 1/1		

X-ON Electronics

Largest Supplier of Electrical and Electronic Components

Click to view similar products for [Standard Circular Connector](#) category:

Click to view products by [Hirose](#) manufacturer:

Other Similar products are found below :

[Hirose](#)