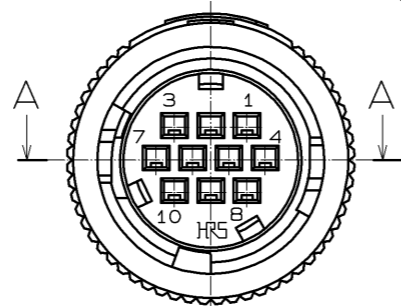
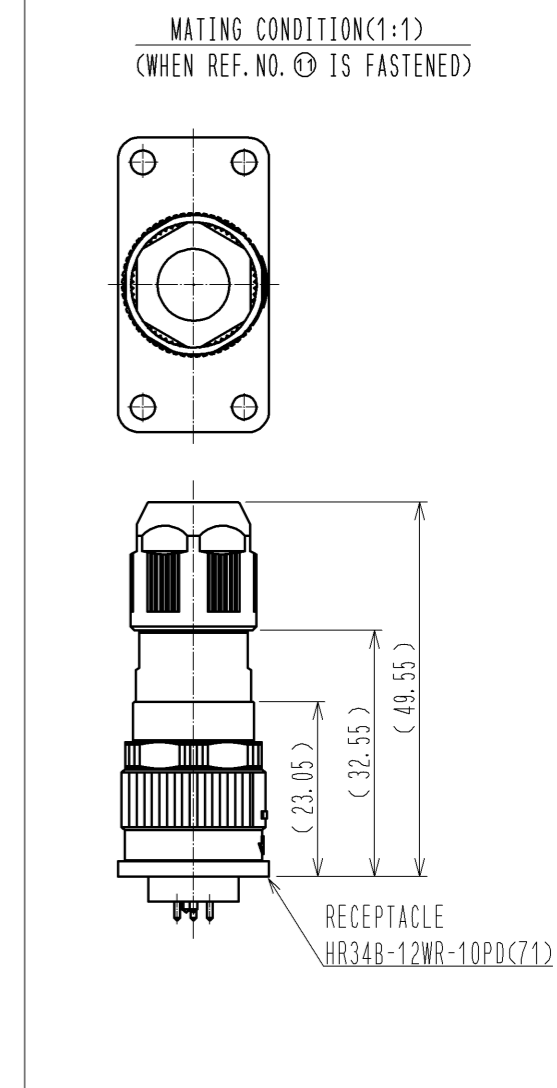
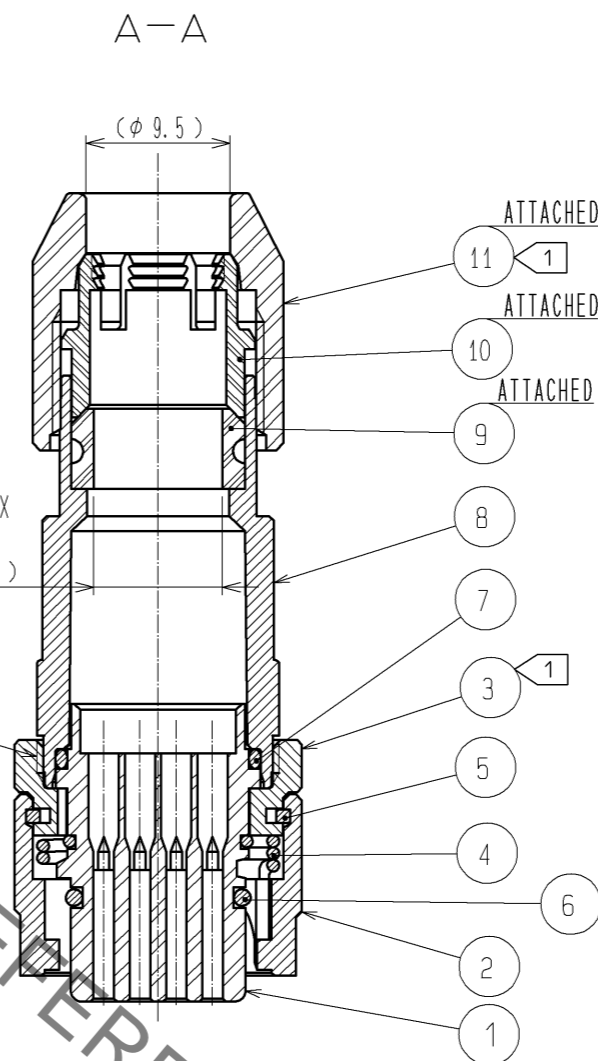
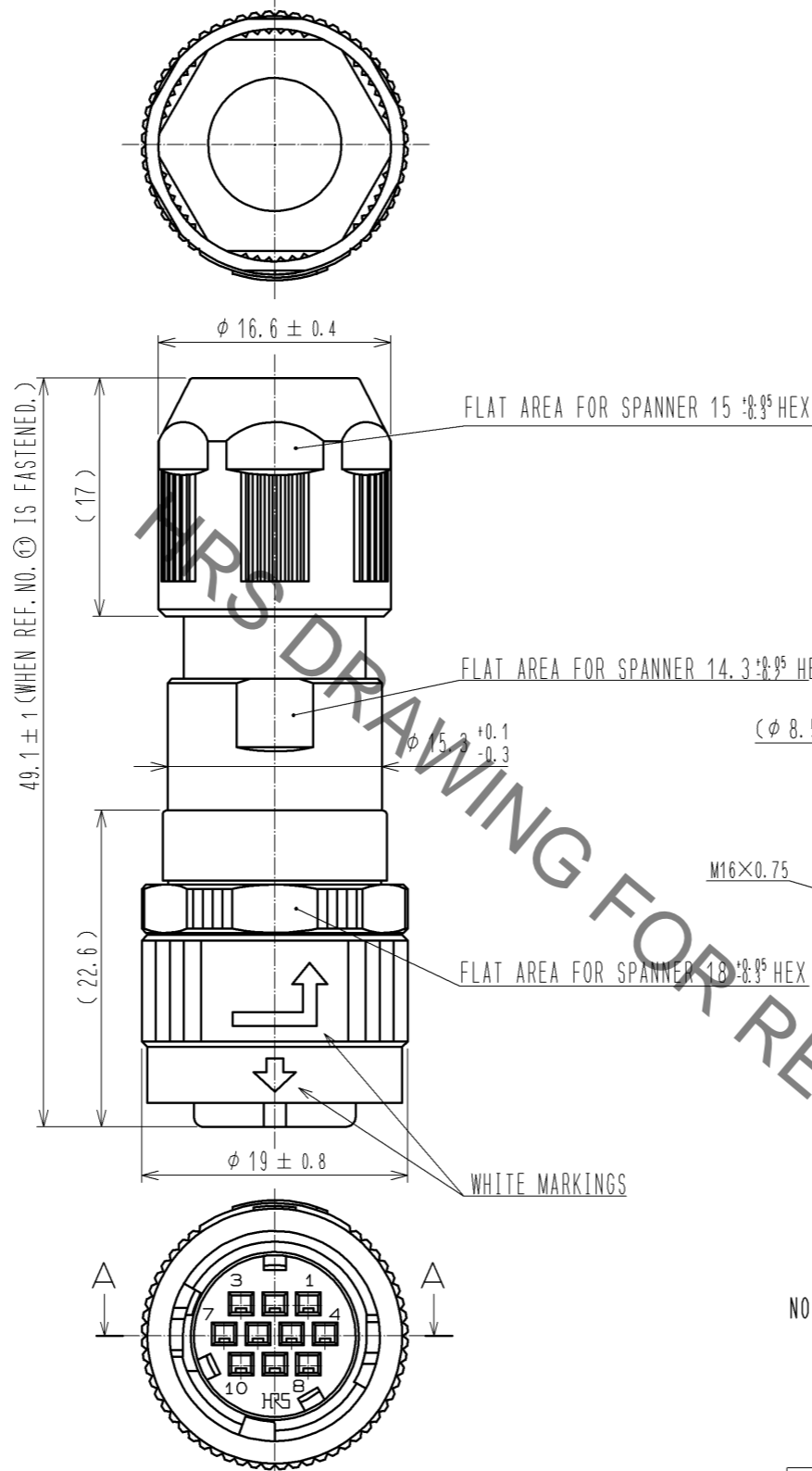
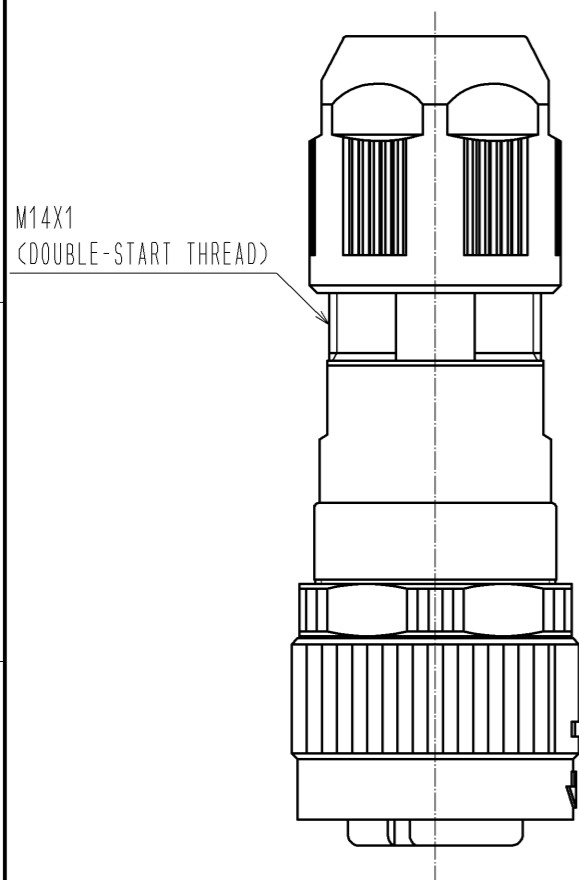
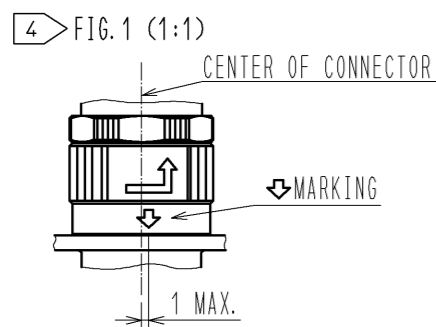


Sep.1.2021 Copyright 2021 HIROSE ELECTRIC CO., LTD. All Rights Reserved.
In case of consideration for using Automotive equipment / device which demand high reliability, kindly contact our sales window correspondents.



NOTES 5 CABLE CLAMP STRENGTH AND WATERPROOF PERFORMANCE DEPEND ON CABLE STRUCTURE SUCH AS THE JACKET MATERIAL AND HARDNESS. WE RECOMMEND CHECKING THE PERFORMANCE BEFORE THE USAGE.
6 APPLICABLE CRIMP CONTACT: HR34B-SC1-211 (CL134-0050-4)
APPLICABLE EXTRACTION TOOL: RP6-SC-TP (CL150-0039-0)

NOTES 1 THE RECOMMENDED TIGHTENING TORQUE, ADHESIVE AND PRIMER FOR M16X0.75 PORTION OF REF. 3 AND 8 AND M14X1 PORTION OF REF. NO. 8 AND 11 ARE AS FOLLOWINGS.
THE ADHESIVE AND PRIMER SHOULD BE ATTACHED ON THE MALE SCREW PORTION OF REF. NO. 8.
TIGHTENING TORQUE: 0.9 TO 1 N · m.
ADHESIVE: LOCTITE 242 MADE BY HENKEL JAPAN LTD.
PRIMER: LOCK PRIMER 7649, MADE BY HENKEL JAPAN LTD. (ONLY M14X1)

2 ROTATION EXAMPLES ARE SHOWN FOR REF. NO. 1, 3, 8, AND 11.
3 CONDUIT IS NOT APPLICABLE TO THIS CONNECTOR.

4 MAKE SURE THAT ↕ MARKING IS POSITIONED WITHIN 1 FROM THE CENTER OF CONNECTOR AS SHOWN IN FIG.1. WHEN MATED TO THE APPLICABLE RECEPTACLE, OTHERWISE, THE CONNECTORS ARE NOT COMPLETELY MATED, AND INSERT THIS PLUG TO THE RECEPTACLE TO THE END UNTIL THE ↕ MARKING IS LOCATED IN THE CENTER OF THE CONNECTOR.

NO.	MATERIAL	FINISH	REMARKS	NO.	MATERIAL	FINISH	REMARKS
6	FLURO RUBBER	(BLACK)					
5	PHOSPHOR BRONZE	NICKEL PLATING		11	POLYPHENYLENE SULFIDE	(BLACK)	UL94V-0
4	STAINLESS STEEL			10	POLYAMIDE	(WHITE)	UL94V-0
3	ZINC ALLOY	BLACK CHROME PLATING		9	HYDROGENATION ACRYLONITRILE BUTADIENE RUBBER	(BLACK)	
2	ZINC ALLOY	BLACK CHROME PLATING		8	ALMINUM ALLOY	ZINC PLATING BLACK CHROMATE TREATMENT	
1	POLYPHENYLENE SULFIDE	(BLACK)	UL94V-0	7	FLURO RUBBER	(BLACK)	

UNITS	SCALE	COUNT	DESCRIPTION OF REVISIONS	DESIGNED	CHECKED	DATE
mm	2 : 1	△				
APPROVED : SU. OBARA			10.07.21	DRAWING NO. EDC3-116796-00		
CHECKED : HY. KISHI			10.07.21	PART NO. HR34B-12WPK-10SC		
DESIGNED : TH. KAMEYA			10.07.21	CODE NO. CL134-0053-2-00		
DRAWN : YS. SAKODA			10.07.21	△ 1/1		

X-ON Electronics

Largest Supplier of Electrical and Electronic Components

Click to view similar products for [Standard Circular Connector](#) category:

Click to view products by [Hirose](#) manufacturer:

Other Similar products are found below :

[5M2530B10P](#) [600259N006](#) [600273N007](#) [6134-336-13149](#) [6134-337-11149](#) [6134-337-2390](#) [6134-341-17149](#) [6280-4SG-516](#) [6280-7SG-3DC](#)
[6290](#) [6291A](#) [66200A-10](#) [680-SMG](#) [681-PMG](#) [CXS3102A14S2P](#) [CXS3102A181S](#) [7251-6SG-300](#) [7271-6SG-300](#) [7282-3PG-300-CH3](#) [75-](#)
[474014-05S](#) [75-474618-01S](#) [75-474618-04S](#) [799539-000](#) [MI8-SE](#) [805-005-07NF11-19PC](#) [805-005-07NF15-7PA](#) [8280-4PG-516](#) [8280-7PG-](#)
[519](#) [8282-5PG-519](#) [836783-1](#) [MP-4102-25P-C](#) [862256-1](#) [864019-2](#) [866857-1](#) [867865-1](#) [PT01SP-14-18P](#) [PT08P-14-5S](#) [PTSF06SE-14-12S](#)
[120-1833-000](#) [QCM019PC2DC012B](#) [1-2069279-1](#) [121583-0217](#) [121667-0020](#) [129591AU](#) [1000B BULK](#) [RD10A16-19-P6CS051/1](#)
[RD10A20-31-P8CS051/1](#) [RD16A14-12-S6CS051/2](#) [1301240290](#) [1301240347](#) [1301860202](#)