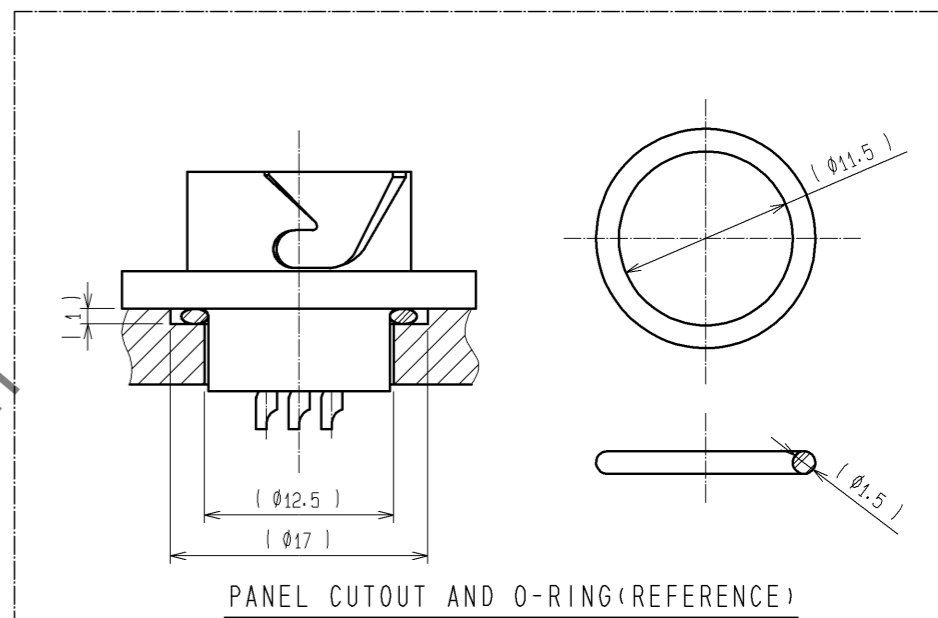
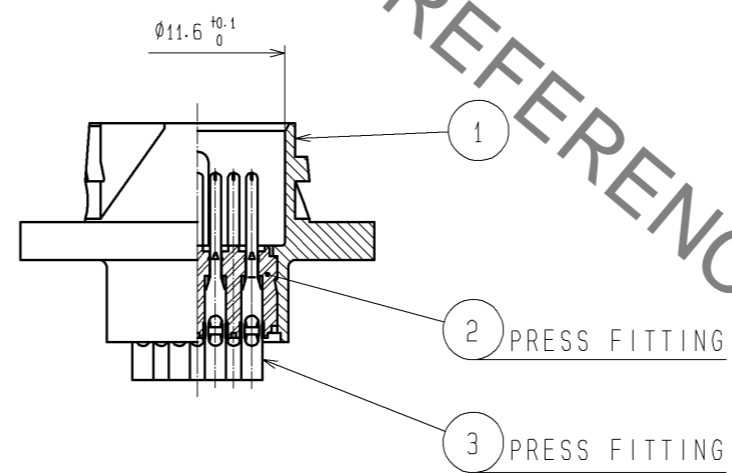
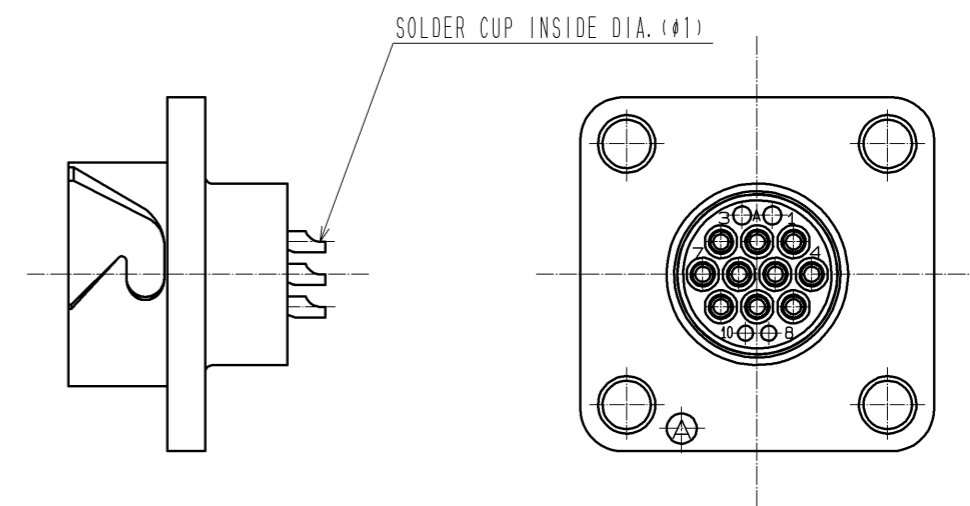
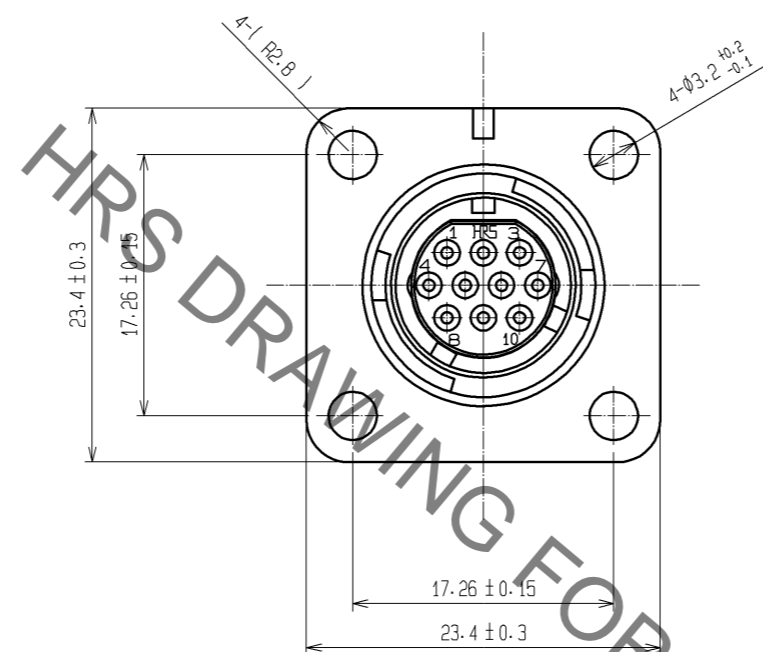
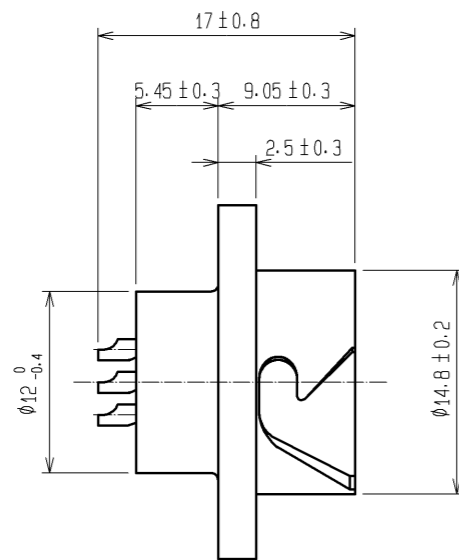


Aug.1.2021 Copyright 2021 HIROSE ELECTRIC CO., LTD. All Rights Reserved.
In case of consideration for using Automotive equipment / device which demand high reliability, kindly contact our sales window correspondents.



NOTES 1 CONTACT AREA:GOLD PLATING 0.2µm min.
TERMINAL AREA:GOLD FLASH.
UNDER PLATING:NICKEL 2µm min.
2 CHECK THAT THE O-RING IS PROPERLY SET AT THE GROOVE OF THE DEVICE.
WHILE MOUNTING THE CONNECTOR,MAKE SURE THAT THE O-RING IS NOT CAUGHT.

2	POLYPHENYLENE SULFIDE (BLACK) UL94V-0						
1	ZINC ALLOY	BLACK CHROMATE TREATMENT (Cr3)	3	COPPER ALLOY			
NO.	MATERIAL	FINISH . REMARKS	NO.	MATERIAL			
				FINISH . REMARKS			
UNITS	⊙	SCALE	COUNT	DESCRIPTION OF REVISIONS	DESIGNED	CHECKED	DATE
mm		2 : 1	△				
HRS HIROSE ELECTRIC CO., LTD.		APPROVED : MO. SATOH	07. 04. 05	DRAWING NO. EDC3-114744-00			
		CHECED : MO. SATOH	07. 04. 05	PART NO. HR34B-12WRA-10P			
		DESIGNED : DS. MATSUNE	07. 04. 05	CODE NO. CL134-0016-6-00			
		DRAWN : MK. SATO	07. 03. 30			1/1	

X-ON Electronics

Largest Supplier of Electrical and Electronic Components

Click to view similar products for [Standard Circular Connector](#) category:

Click to view products by [Hirose](#) manufacturer:

Other Similar products are found below :

[5M2530B10P](#) [600259N006](#) [600273N007](#) [6134-336-13149](#) [6134-337-11149](#) [6134-337-2390](#) [6134-341-17149](#) [6280-4SG-516](#) [6280-7SG-3DC](#)
[6290](#) [6291A](#) [66200A-10](#) [680-SMG](#) [681-PMG](#) [CXS3102A14S2P](#) [CXS3102A181S](#) [7251-6SG-300](#) [7271-6SG-300](#) [7282-3PG-300-CH3](#) [75-](#)
[474014-05S](#) [75-474618-01S](#) [75-474618-04S](#) [799539-000](#) [MI8-SE](#) [805-005-07NF11-19PC](#) [805-005-07NF15-7PA](#) [8280-4PG-516](#) [8280-7PG-](#)
[519](#) [8282-5PG-519](#) [836783-1](#) [MP-4102-25P-C](#) [862256-1](#) [864019-2](#) [866857-1](#) [867865-1](#) [PT01SP-14-18P](#) [PT08P-14-5S](#) [PTSF06SE-14-12S](#)
[120-1833-000](#) [QCM019PC2DC012B](#) [1-2069279-1](#) [121583-0217](#) [121667-0020](#) [129591AU](#) [1000B BULK](#) [RD10A16-19-P6CS051/1](#)
[RD10A20-31-P8CS051/1](#) [RD16A14-12-S6CS051/2](#) [1301240290](#) [1301240347](#) [1301860202](#)