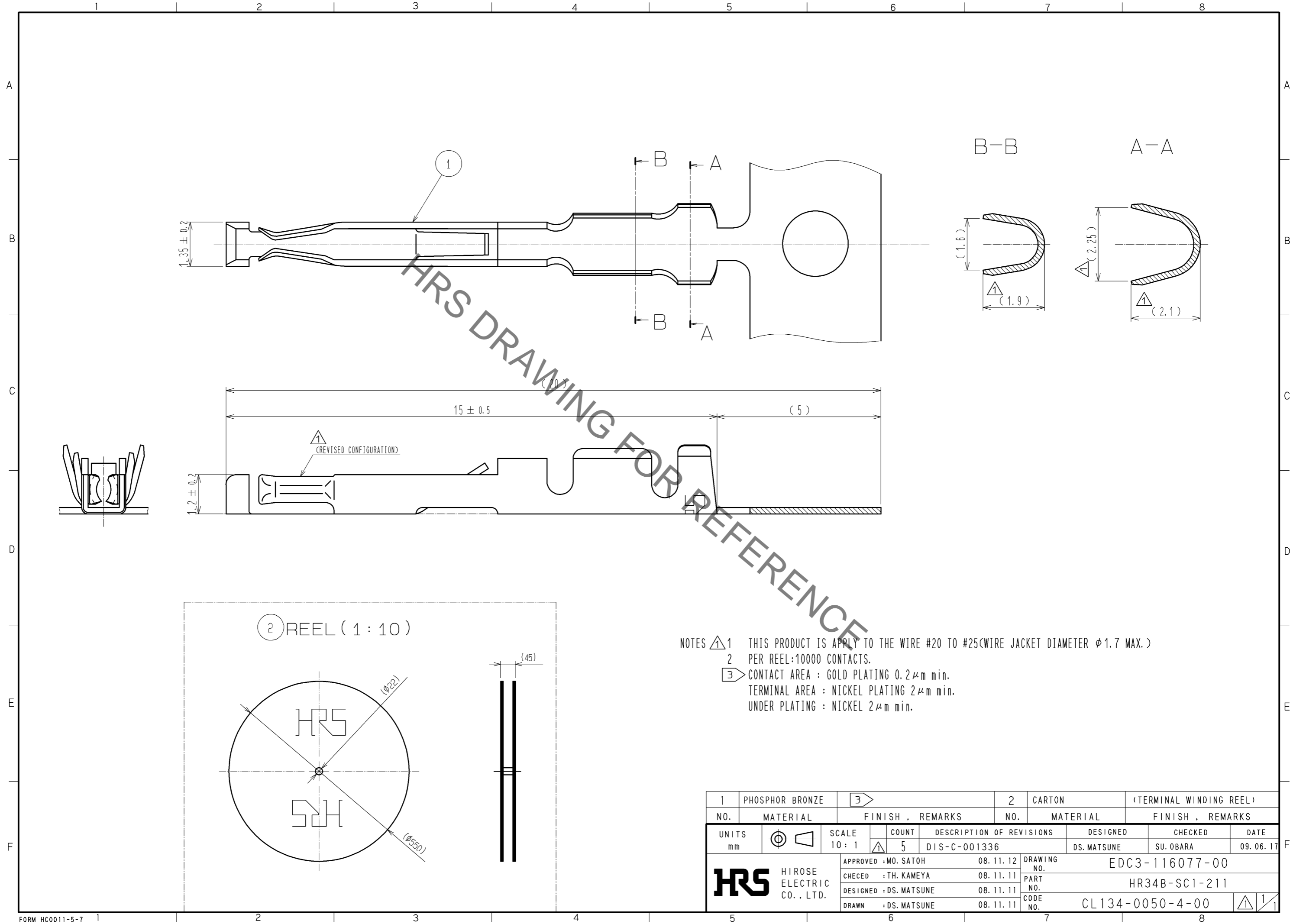


Sep.1.2021 Copyright 2021 HIROSE ELECTRIC CO., LTD. All Rights Reserved.  
 In case of consideration for using Automotive equipment / device which demand high reliability, kindly contact our sales window correspondents.



NOTES  $\triangle 1$  THIS PRODUCT IS APPLY TO THE WIRE #20 TO #25(WIRE JACKET DIAMETER  $\phi 1.7$  MAX.)  
 $2$  PER REEL:10000 CONTACTS.  
 $\square 3$  CONTACT AREA : GOLD PLATING  $0.2\mu\text{m}$  min.  
 TERMINAL AREA : NICKEL PLATING  $2\mu\text{m}$  min.  
 UNDER PLATING : NICKEL  $2\mu\text{m}$  min.

|             |                         |                        |                        |  |                         |
|-------------|-------------------------|------------------------|------------------------|--|-------------------------|
| 1           | PHOSPHOR BRONZE         | $\square 3$            | 2                      | CARTON                                   | (TERMINAL WINDING REEL) |
| NO.         | MATERIAL                | FINISH . REMARKS       | NO.                    | MATERIAL                                 | FINISH . REMARKS        |
| UNITS<br>mm | $\odot$ $\triangleleft$ | SCALE<br>10: 1         | COUNT<br>$\triangle$ 5 | DESCRIPTION OF REVISIONS<br>DIS-C-001336 | DESIGNED<br>DS. MATSUNE |
|             |                         | APPROVED : MO. SATOH   | 08. 11. 12             | DRAWING NO.<br>EDC3-116077-00            | CHECKED<br>SU. OBARA    |
|             |                         | CHECED : TH. KAMEYA    | 08. 11. 11             | PART NO.<br>HR34B-SC1-211                | DATE<br>09. 06. 17      |
|             |                         | DESIGNED : DS. MATSUNE | 08. 11. 11             | CODE NO.<br>CL134-0050-4-00              |                         |
|             |                         | DRAWN : DS. MATSUNE    | 08. 11. 11             |  |                         |

## X-ON Electronics

Largest Supplier of Electrical and Electronic Components

*Click to view similar products for [Standard Circular Contacts](#) category:*

*Click to view products by [Hirose](#) manufacturer:*

Other Similar products are found below :

[RC16M23J](#) [133780-1](#) [RM20M13D28](#) [RM24M9D28](#) [MS3474W10-6P L/C](#) [164-901-CD](#) [EN3545007SCE](#) [BV002BSQ20049CZ](#)  
[BV002SSQ160404CZ](#) [1900ND05S1B00B](#) [192900-0061](#) [192900-0575](#) [166566-1](#) [1900ND04S1X00D](#) [192900-0058](#) [ST-JL05-16S-C3-100](#)  
[ST-JL05-20S-C1-100](#) [ST-JL05-20S-C2-100](#) [T01-CRIMP-S03](#) [APK-SA16A07-002](#) [CONT-JL05-08S-C2-10](#) [RC16M-23T](#) [RFD26L-1D28](#)  
[BV002ASJ16049CW](#) [JN1-22-20S-R-PKG100](#) [031-50565](#) [ELFH08251](#) [SJS861301M](#) [ST-JL05-16S-C1-100](#) [ST-JL05-20P-C1-100](#) [82911466K](#)  
[ESLM03200](#) [192991-0087](#) [192900-0570](#) [ELFH07251](#) [44-104-10003-02](#) [T3P16FC3LZ](#) [ST-JL05-16S-C2-3500](#) [ZP-4016-10NF](#) [CONT-JL05-](#)  
[12P-C1-10](#) [RM20M12G8D28](#) [031-50676](#) [12115010110](#) [RJFTVC2MG](#) [CAP-DACMDPC2](#) [031-50675-002](#) [CAP-DD1FDPC2](#) [CAP-](#)  
[DACMDPC1](#) [031-50966-010](#) [ASSP-10-F-A-C-SA](#)