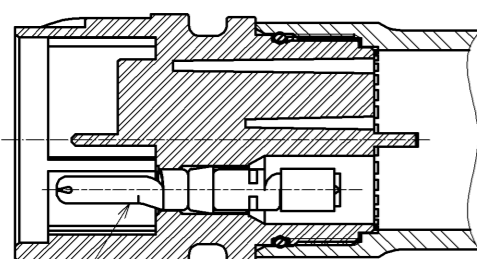
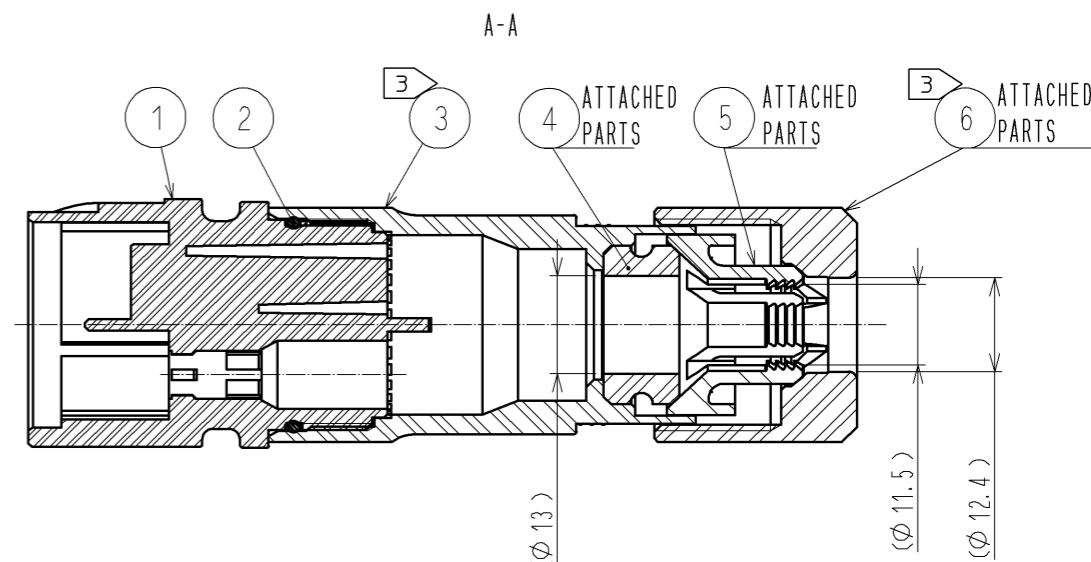


Sep.1.2021 Copyright 2021 HIROSE ELECTRIC CO., LTD. All Rights Reserved.
In case of consideration for using Automotive equipment / device which demand high reliability, kindly contact our sales window correspondents.

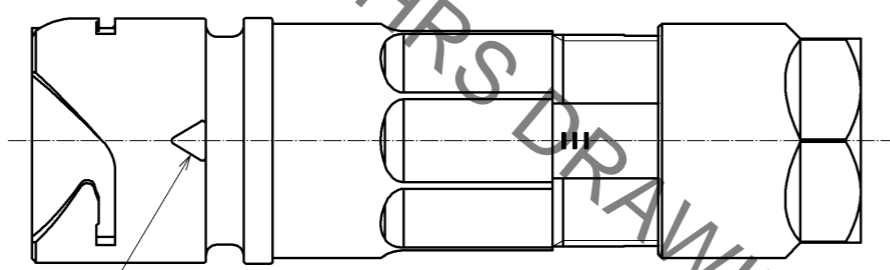
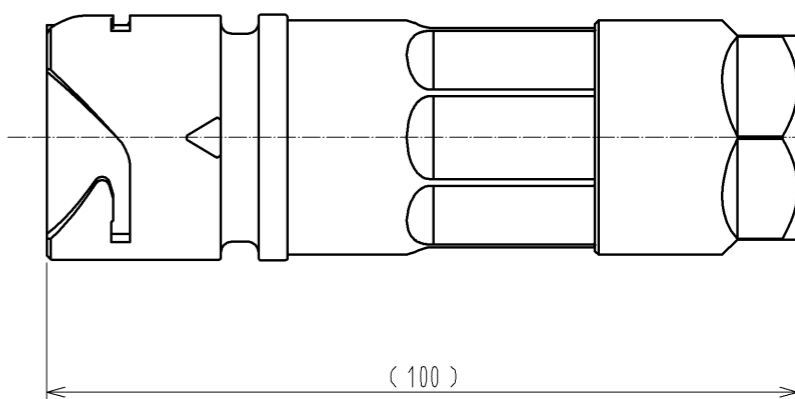
1 Fig.1 THE STATE INCORPORATE APPLICABLE CRIMP CONTACT.



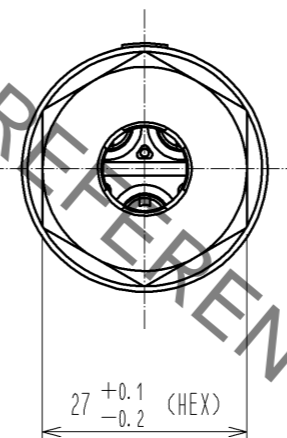
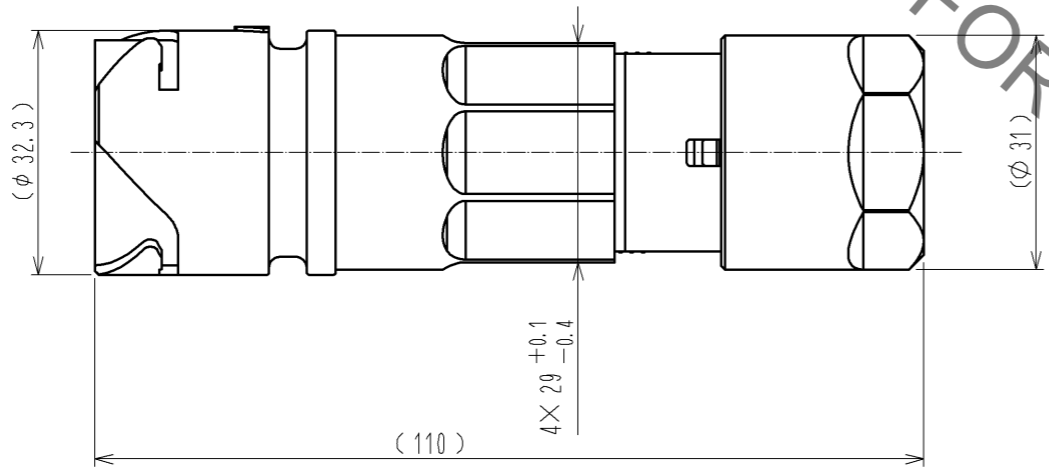
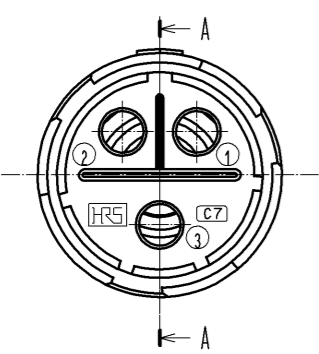
HR41-PC-111
(SOLD SEPARATELY)



5 Fig.2 THE APPEARANCE AFTER ASSEMBLY.



MAIN GUIDE POSITION MARKING



- NOTES
- 1 Fig.1 SHOWS THE STATE INCORPORATE APPLICABLE CRIMP CONTACT.
APPLICABLE CRIMP CONTACT :HR41-PC-111
 - 2 APPLICABLE CRIMP CONTACT EXTRACTION TOOL :HR41-TP
 - 3 THE RECOMMENDED TIGHTENING TORQUE OF REF. NO. ③ AND ⑥ TO BE 5 TO 5.5N·m
THE ADHESIVE TOR PREVENTION OF LOOSENESS IS NOT NECESSARY IN THE FIRST TIME.
LOCTITE 263, LOCPRIMER 7649, HENKEL JAPAN IS RECOMMENDED TO PREVENT REF. NO. ①, ③ FROM LOOSING. AFTER THE SECOND TIME.
 - 4 ROTATION EXAMPLES ARE SHOWN FOR REF.NO. ③ AND ⑥.
 - 5 Fig.2 SHOWS THE APPEARANCE AFTER ASSEMBLY.
 - 6 THE CABLE PULL AND TWISTING STRENGTH AND OTHER CHARACTERISTICS MAY DIFFER, DEPENDING ON THE CABLE STRUCTURE.
PLEASE CONFIRM BEFORE THE USE.
 - 7 THE ASSEMBLY OF THIS PRODUCT APPLIES TO THE MANUAL ETAD-C0298.

3	POLYAMIDE	(BLACK)	UL94V-0	6	POLYAMIDE	(BLACK)	UL94V-0
2	SILICONE RUBBER	(RED)		5	POLYAMIDE	(WHITE)	UL94V-0
1	POLYAMIDE	(BLACK)	UL94V-0	4	SILICONE RUBBER	(RED)	
NO.	MATERIAL	FINISH	REMARKS	NO.	MATERIAL	FINISH	REMARKS
UNITS mm		SCALE 1 : 1		COUNT		DESCRIPTION OF REVISIONS	
DESIGNED		CHECKED		DATE			
APPROVED : SU. OBARA 13.03.14				DRAWING NO. EDC3-117998-00			
CHECKED : HY. KOBAYASHI 13.03.14				PART NO. HR41-25WBJB-3PC			
DESIGNED : TY. SUZUKI 13.03.14				CODE NO. CL141-0017-7-00			
DRAWN : KN. IKEHARA 13.03.14				1/1			

X-ON Electronics

Largest Supplier of Electrical and Electronic Components

Click to view similar products for [Standard Circular Connector](#) category:

Click to view products by [Hirose](#) manufacturer:

Other Similar products are found below :

[5M2530B10P](#) [600259N006](#) [600273N007](#) [6134-336-13149](#) [6134-337-11149](#) [6134-337-2390](#) [6134-341-17149](#) [6280-4SG-516](#) [6280-7SG-3DC](#)
[6290](#) [6291A](#) [66200A-10](#) [680-SMG](#) [681-PMG](#) [CXS3102A14S2P](#) [CXS3102A181S](#) [7251-6SG-300](#) [7271-6SG-300](#) [7282-3PG-300-CH3](#) [75-](#)
[474014-05S](#) [75-474618-01S](#) [75-474618-04S](#) [799539-000](#) [MI8-SE](#) [805-005-07NF11-19PC](#) [805-005-07NF15-7PA](#) [8280-4PG-516](#) [8280-7PG-](#)
[519](#) [8282-5PG-519](#) [836783-1](#) [MP-4102-25P-C](#) [862256-1](#) [864019-2](#) [866857-1](#) [867865-1](#) [PT01SP-14-18P](#) [PT08P-14-5S](#) [PTSF06SE-14-12S](#)
[120-1833-000](#) [QCM019PC2DC012B](#) [1-2069279-1](#) [121583-0217](#) [121667-0020](#) [129591AU](#) [1000B BULK](#) [RD10A16-19-P6CS051/1](#)
[RD10A20-31-P8CS051/1](#) [RD16A14-12-S6CS051/2](#) [1301240290](#) [1301240347](#) [1301860202](#)