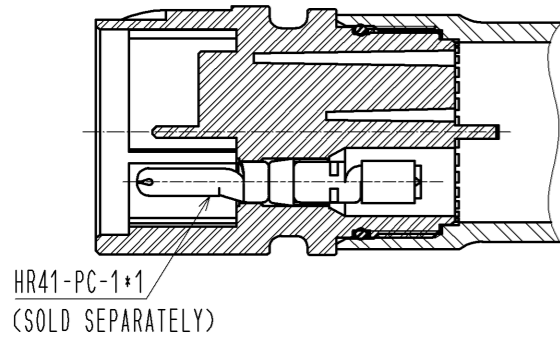
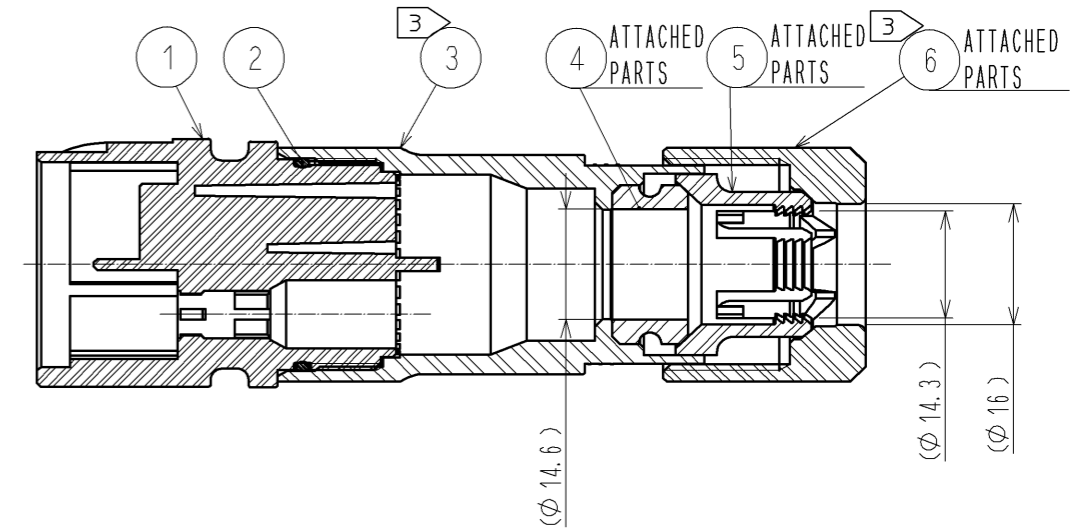


Sep.1.2021 Copyright 2021 HIROSE ELECTRIC CO., LTD. All Rights Reserved.  
In case of consideration for using Automotive equipment / device which demand high reliability, kindly contact our sales window correspondents.

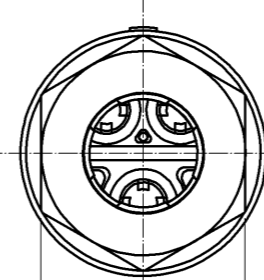
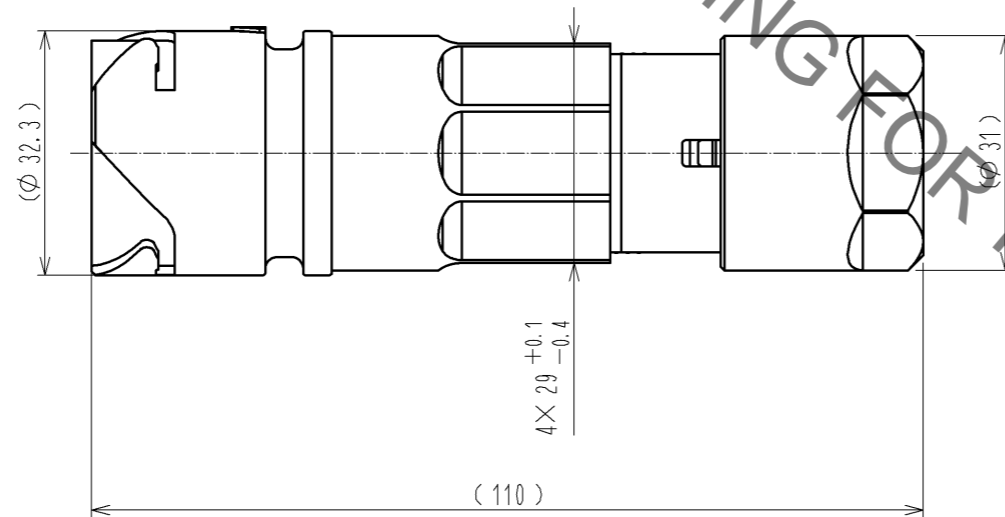
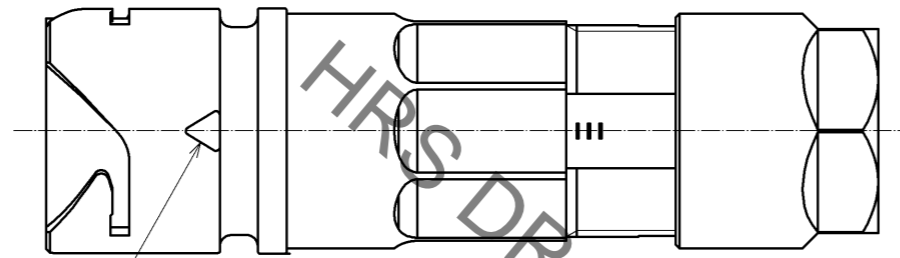
1 Fig.1 THE STATE INCORPORATE APPLICABLE CRIMP CONTACT.



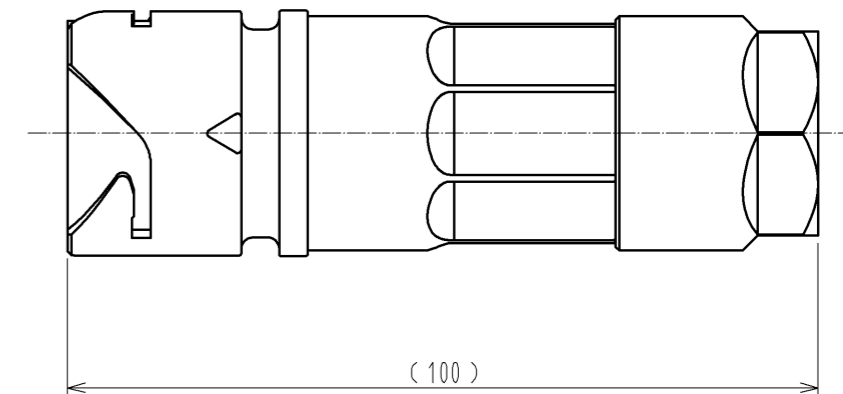
A-A



MAIN GUIDE POSITION MARKING



5 Fig.2 THE APPEARANCE AFTER ASSEMBLY.



- NOTES
- 1 Fig.1 SHOWS THE STATE INCORPORATE APPLICABLE CRIMP CONTACT.  
APPLICABLE CRIMP CONTACT :HR41-PC-1+1(SOLD SEPARATELY)
  - 2 APPLICABLE CRIMP CONTACT EXTRACTION TOOL : HR41-TP
  - 3 THE RECOMMENDED TIGHTENING TORQUE OF REF. NO. ③ AND ⑥ TO BE 5 TO 5.5N · m  
THE ADHESIVE TOR PREVENTION OF LOOSENESS IS NOT NECESSARY IN THE FIRST TIME.  
LOCTITE 263, LOCPRIMER 7649, HENKEL JAPAN IS RECOMMENDED TO PREVENT REF. NO. ①, ③ FROM LOOSING. AFTER THE SECOND TIME.
  - 4 ROTATION EXAMPLES ARE SHOWN FOR REF.NO.①, ③ AND ⑥.
  - 5 Fig.2 SHOWS THE APPEARANCE AFTER ASSEMBLY.
  - 6 CABLE PULL FORCE, TWISTING STRENGTH, WATER TIGHTNESS AND OTHER CHARACTERISTICS MAY DIFFER DEPENDING ON CABLE SPECIFICATIONS AND STRUCTURE.  
PLEASE EVALUATE UNDER THE ACTUAL CONDITIONS PRIOR TO USE.
  - 7 THE ASSEMBLY OF THIS PRODUCT APPLIES TO THE MANUAL ETAD-C0298.

3	POLYAMIDE	(BLACK) UL94V-0	6	POLYAMIDE	(BLACK) UL94V-0
2	SILICONE RUBBER	(RED)	5	POLYAMIDE	(NC, WHITE) UL94V-0
1	POLYAMIDE	(BLACK) UL94V-0	4	SILICONE RUBBER	(NC, WHITE)
NO.	MATERIAL	FINISH . REMARKS	NO.	MATERIAL	FINISH . REMARKS
UNITS mm		SCALE 1 : 1	COUNT		DESCRIPTION OF REVISIONS
DESIGNED		CHECKED		DATE	
APPROVED : SU. OBARA			13. 05. 16		
CHECKED : HY. KOBAYASHI			13. 05. 15		
DESIGNED : TY. SUZUKI			13. 05. 14		
DRAWN : TY. SUZUKI			13. 05. 14		
DRAWING NO.				EDC3-118000-00	
PART NO.				HR41-25WBJF-3PC	
CODE NO.				CL141-0019-2-00	
				1/1	

## X-ON Electronics

Largest Supplier of Electrical and Electronic Components

*Click to view similar products for [Standard Circular Connector](#) category:*

*Click to view products by [Hirose](#) manufacturer:*

Other Similar products are found below :

[5M2530B10P](#) [600259N006](#) [600273N007](#) [6134-336-13149](#) [6134-337-11149](#) [6134-337-2390](#) [6134-341-17149](#) [6280-4SG-516](#) [6280-7SG-3DC](#)  
[6290](#) [6291A](#) [66200A-10](#) [680-SMG](#) [681-PMG](#) [CXS3102A14S2P](#) [CXS3102A181S](#) [7251-6SG-300](#) [7271-6SG-300](#) [7282-3PG-300-CH3](#) [75-](#)  
[474014-05S](#) [75-474618-01S](#) [75-474618-04S](#) [799539-000](#) [MI8-SE](#) [805-005-07NF11-19PC](#) [805-005-07NF15-7PA](#) [8280-4PG-516](#) [8280-7PG-](#)  
[519](#) [8282-5PG-519](#) [836783-1](#) [MP-4102-25P-C](#) [862256-1](#) [864019-2](#) [866857-1](#) [867865-1](#) [PT01SP-14-18P](#) [PT08P-14-5S](#) [PTSF06SE-14-12S](#)  
[120-1833-000](#) [QCM019PC2DC012B](#) [1-2069279-1](#) [121583-0217](#) [121667-0020](#) [129591AU](#) [1000B BULK](#) [RD10A16-19-P6CS051/1](#)  
[RD10A20-31-P8CS051/1](#) [RD16A14-12-S6CS051/2](#) [1301240290](#) [1301240347](#) [1301860202](#)