

Sep.1.2021 Copyright 2021 HIROSE ELECTRIC CO., LTD. All Rights Reserved.  
In case of consideration for using Automotive equipment / device which demand high reliability, kindly contact our sales window correspondents.

Fig.1 THE STATE APPLICABLE CONTACT ASSEMBLED AND 3-STEP SEQUENTIAL STRUCTURE.

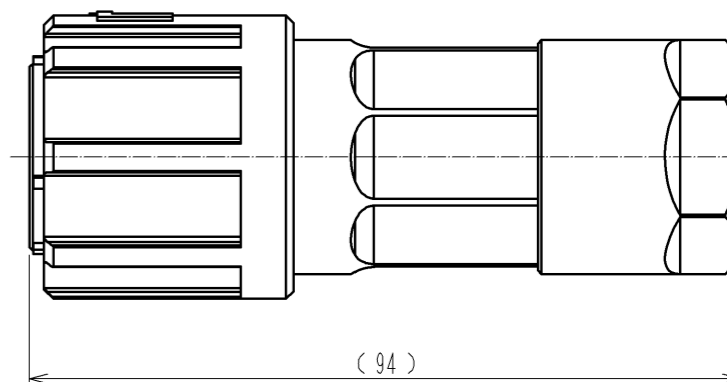
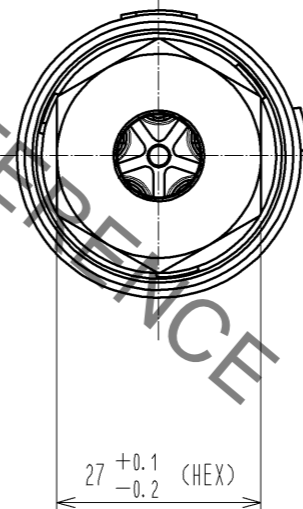
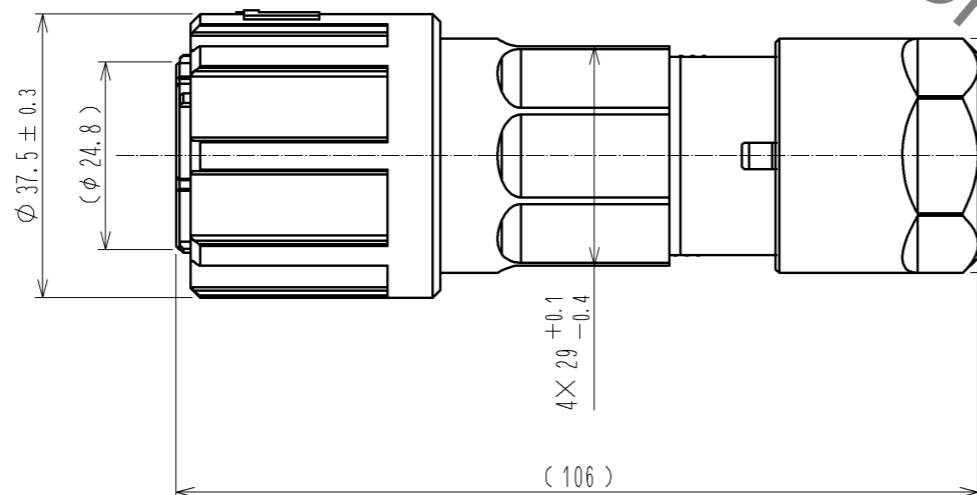
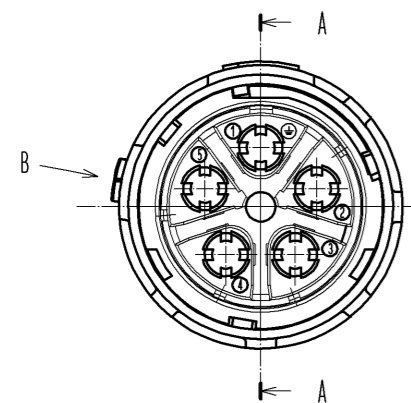
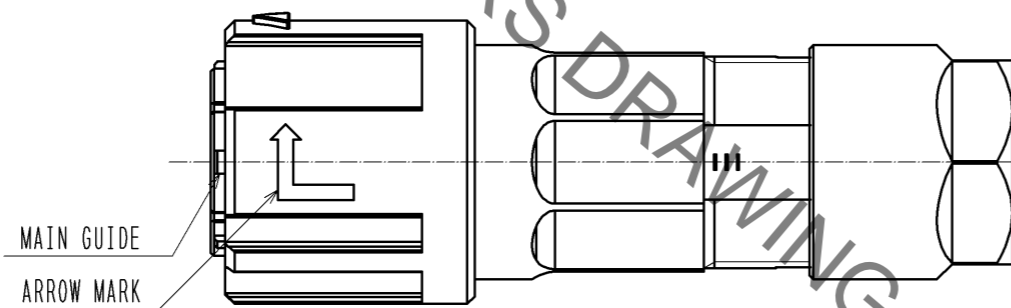
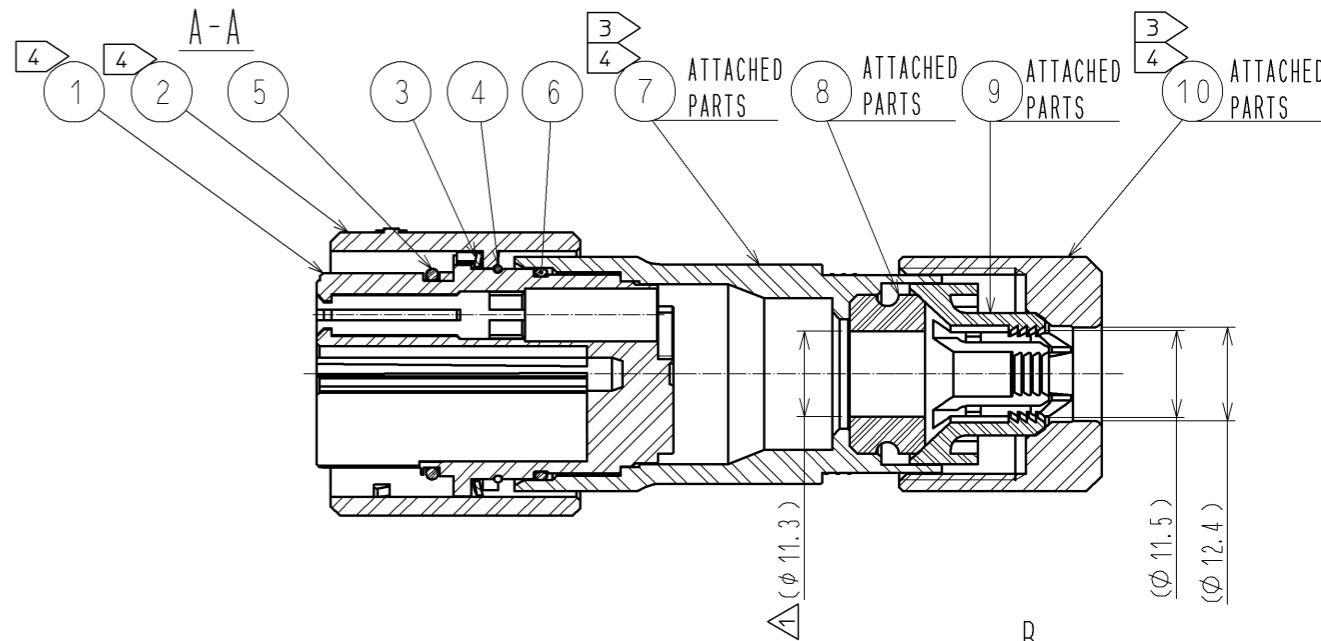
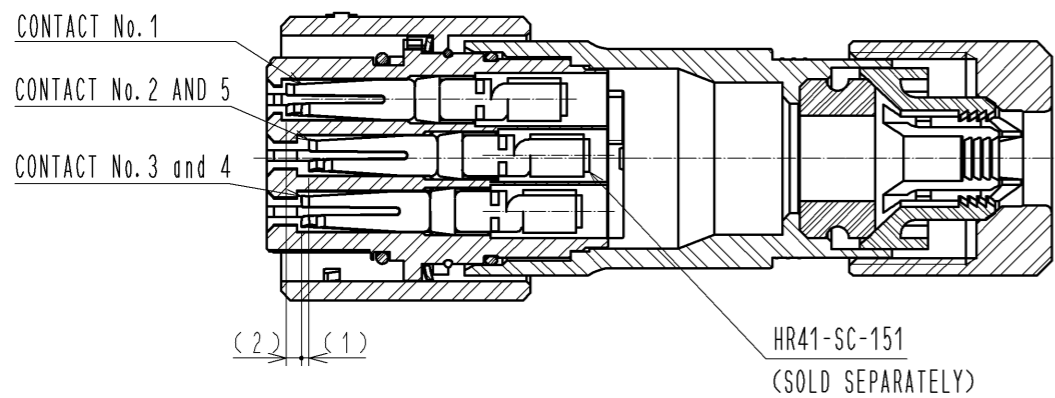


Fig. 2 AFTER ASSEMBLY

- NOTES
- 1 Fig.1 SHOWS THE STATE APPLICABLE CONTACT ASSEMBLED AND 3-STEP SEQUENTIAL STRUCTURE.
  - 2 APPLICABLE CRIMPING CONTACT : HR41-SC-151  
APPLICABLE CRIMP CONTACT EXTRACTION TOOL : HR41-TP
  - 3 The RECOMMENDED TIGHTENING TORQUE OF REF. NO. ⑦ AND ⑩ TO BE 5 TO 5.5 N·m  
THE ADHESIVE FOR PREVENTION OF LOOSENESS IS NOT NECESSARY IN THE FIRST TIME.  
LOCTITE 263, LOCPRIMER 7649, HENKEL JAPAN IS RECOMMENDED TO PREVENT REF NO. ⑦, ⑩ FROM LOOSING. AFTER THE SECOND TIME.
  - 4 ROTATION EXAMPLES ARE SHOWN FOR REF.NO. ①, ②, ⑦ AND ⑩.
  - 5 Fig. 2 SHOWS THE APPEARANCE AFTER ASSEMBLY.
  - 6 THE CABLE PULL FORCE, TWISTING STRENGTH, WATER TIGHTNESS AND OTHER CHARACTERISTICS MAY DIFFER, DEPENDING ON CABLE STRUCTURE.  
PLEASE CONFIRM BEFORE THE USE.
  - 7 THE ASSEMBLY OF THIS PRODUCT APPLIES TO THE MANUAL ETAD-C0288.

| 5                             | SILICONE RUBBER            | (LIGHT RED)                      | 10          | POLYAMIDE                | (BLACK) UL94V-0                       |
|-------------------------------|----------------------------|----------------------------------|-------------|--------------------------|---------------------------------------|
| 4                             | STAINLESS STEEL            |                                  | 9           | POLYAMIDE                | (CNC.WHTE) UL94V-0                    |
| 3                             | STAINLESS STEEL            |                                  | 8           | SILICONE RUBBER          | (BLACK)                               |
| 2                             | POLYAMIDE                  | (BLACK) UL94V-0                  | 7           | POLYAMIDE                | (BLACK) UL94V-0                       |
| 1                             | POLYBUTYLENE TEREPHTHALATE | (BLACK) UL94V-0                  | 6           | SILICONE RUBBER          | (RED)                                 |
| NO.                           | MATERIAL                   | FINISH . REMARKS                 | NO.         | MATERIAL                 | FINISH . REMARKS                      |
| UNITS mm                      |                            |                                  | SCALE 1 : 1 | COUNT 3                  | DESCRIPTION OF REVISIONS DIS-C-003016 |
| DESIGNED KN. IKEHARA          |                            | CHECKED HY. KOBAYASHI            |             | DATE 13.10.07            |                                       |
| APPROVED : SU. OBARA 12.06.20 |                            | DRAWING NO. EDC3-117698-00       |             |                          |                                       |
| HIROSE ELECTRIC CO., LTD.     |                            | CHECKED : HY. KOBAYASHI 12.06.20 |             | PART NO. HR41-25WBP-5SC  |                                       |
|                               |                            | DESIGNED : TY. SUZUKI 12.06.20   |             | CODE NO. CL141-0009-9-00 |                                       |
|                               |                            | DRAWN : TY. SUZUKI 12.06.20      |             |                          |                                       |

## X-ON Electronics

Largest Supplier of Electrical and Electronic Components

*Click to view similar products for [Standard Circular Connector](#) category:*

*Click to view products by [Hirose](#) manufacturer:*

Other Similar products are found below :

[5M2530B10P](#) [600259N006](#) [600273N007](#) [6134-336-13149](#) [6134-337-11149](#) [6134-337-2390](#) [6134-341-17149](#) [6280-4SG-516](#) [6280-7SG-3DC](#)  
[6290](#) [6291A](#) [66200A-10](#) [680-SMG](#) [681-PMG](#) [CXS3102A14S2P](#) [CXS3102A181S](#) [7251-6SG-300](#) [7271-6SG-300](#) [7282-3PG-300-CH3](#) [75-](#)  
[474014-05S](#) [75-474618-01S](#) [75-474618-04S](#) [799539-000](#) [MI8-SE](#) [805-005-07NF11-19PC](#) [805-005-07NF15-7PA](#) [8280-4PG-516](#) [8280-7PG-](#)  
[519](#) [8282-5PG-519](#) [836783-1](#) [MP-4102-25P-C](#) [862256-1](#) [864019-2](#) [866857-1](#) [867865-1](#) [PT01SP-14-18P](#) [PT08P-14-5S](#) [PTSF06SE-14-12S](#)  
[120-1833-000](#) [QCM019PC2DC012B](#) [1-2069279-1](#) [121583-0217](#) [121667-0020](#) [129591AU](#) [1000B BULK](#) [RD10A16-19-P6CS051/1](#)  
[RD10A20-31-P8CS051/1](#) [RD16A14-12-S6CS051/2](#) [1301240290](#) [1301240347](#) [1301860202](#)