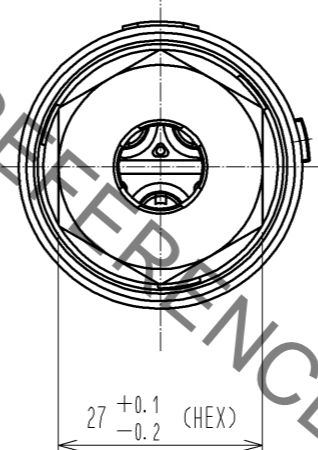
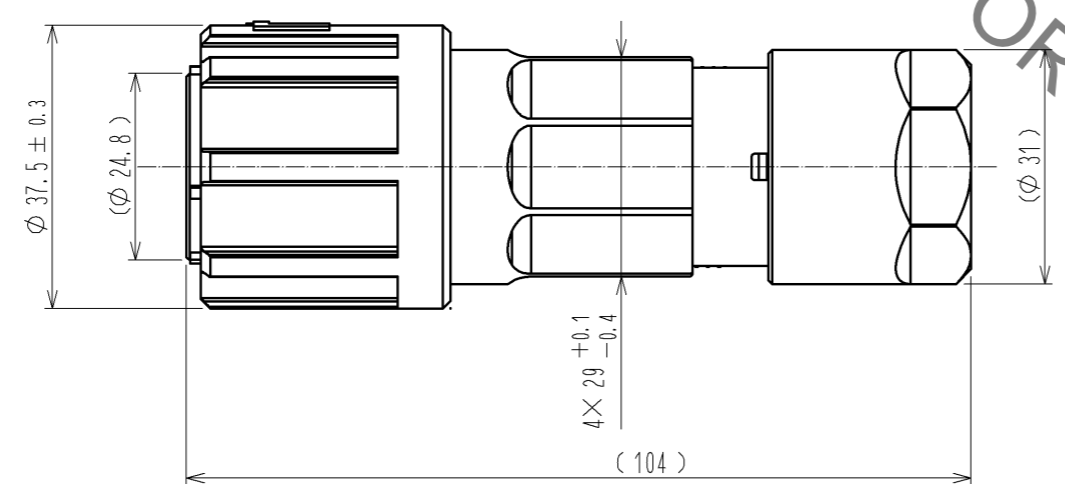
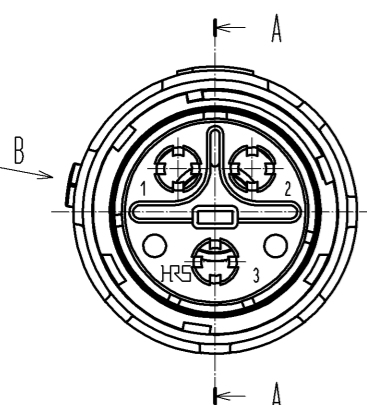
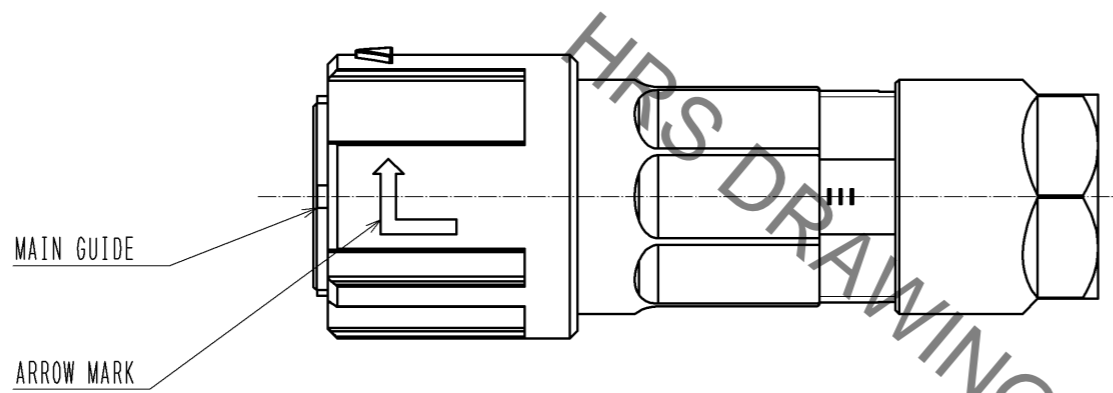
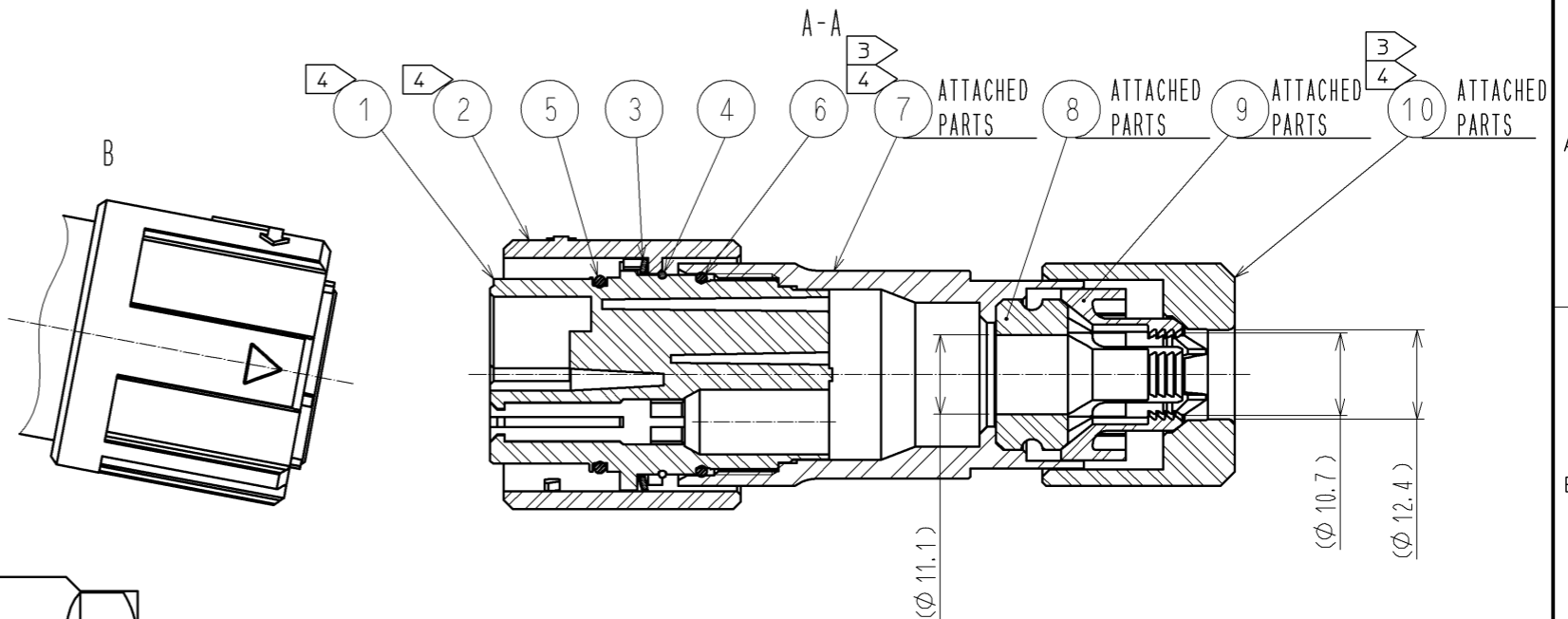
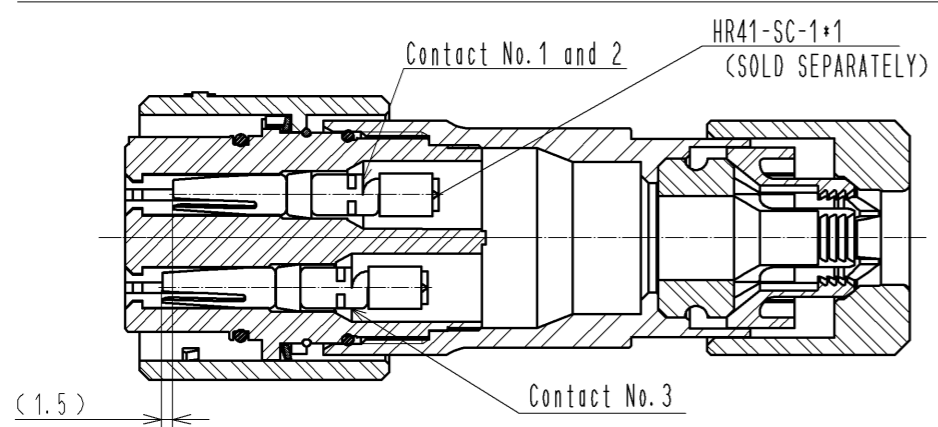
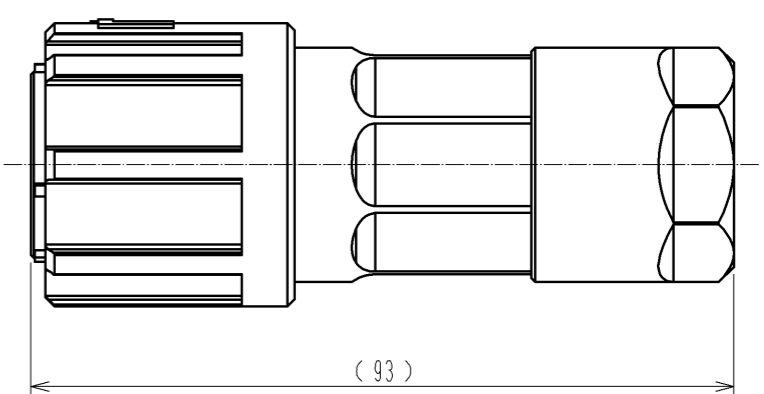


Sep.1.2021 Copyright 2021 HIROSE ELECTRIC CO., LTD. All Rights Reserved.
In case of consideration for using Automotive equipment / device which demand high reliability, kindly contact our sales window correspondents.

1 FIG.1 SHOWS THE STATE APPLICABLE CONTACT ASSEMBLED AND SEQUENTIAL STRUCTURE



5 Fig.2 AFTER ASSEMBLY



- NOTES
- 1 Fig.1 SHOWS THE STATE APPLICABLE CONTACT ASSEMBLED AND SEQUENTIAL STRUCTURE.
APPLICABLE CRIMPING CONTACT:HR41-SC-1*1(SOLD SEPARATELY)
 - 2 APPLICABLE CRIMP CONTACT EXTRACTION TOOL:HR41-TP
 - 3 THE RECOMMENDED TIGHTENING TORQUE OF REF. NO. ⑦ AND ⑩ TO BE 5 TO 5.5 N·m
THE ADHESIVE FOR PREVENTION OF LOOSENESS IS NOT NECESSARY IN THE FIRST TIME.
LOCTITE 263, LOCTRIMER 7649, HENKEL JAPAN IS RECOMMENDED TO PREVENT REF. NO. ⑦, ⑩ FROM LOOSING. AFTER THE SECOND TIME.
 - 4 ROTATION EXAMPLES ARE SHOWN FOR REF. NO. ①, ②, ⑦ AND ⑩.
 - 5 Fig.2 SHOWS THE APPEARANCE AFTER ASSEMBLY.
 - 6 CABLE PULL FORCE, TWISTING STRENGTH, WATER TIGHTNESS AND OTHER CHARACTERISTICS MAY DIFFER DEPENDING ON CABLE SPECIFICATIONS AND STRUCTURE. ALSO ENVIRONMENTAL CONDITIONS INCLUDING TEMPERATURE COULD CAUSE CABLE DEFORMATION.
PLEASE EVALUATE UNDER THE ACTUAL CONDITIONS PRIOR TO USE.
 - 7 THE ASSEMBLY OF THIS PRODUCT APPLIES TO THE MANUAL ETAD-C0288

NO.	MATERIAL	FINISH	REMARKS	NO.	MATERIAL	FINISH	REMARKS
5	SILICONE RUBBER	(LIGHT RED)		10	POLYAMIDE	(BLACK)	UL94V-0
4	STAINLESS STEEL			9	POLYAMIDE	(CNC.WHITE)	UL94V-0
3	STAINLESS STEEL			8	SILICONE RUBBER	(BLACK)	
2	POLYAMIDE	(BLACK)	UL94V-0	7	POLYAMIDE	(BLACK)	UL94V-0
1	POLYAMIDE	(BLACK)	UL94V-0	6	SILICONE RUBBER	(RED)	

UNITS	SCALE	COUNT	DESCRIPTION OF REVISIONS	DESIGNED	CHECKED	DATE
mm	1 : 1	△				
APPROVED : SU. OBARA			13.04.09	DRAWING NO. EDC3-118083-00		
CHECKED : HY. KOBAYASHI			13.04.09	PART NO. HR41-25WBPD-3SC		
DESIGNED : TY. SUZUKI			13.04.08	CODE NO. CL141-0023-0-00		
DRAWN : TY. SUZUKI			13.04.08	1/1		

X-ON Electronics

Largest Supplier of Electrical and Electronic Components

Click to view similar products for [Standard Circular Connector](#) category:

Click to view products by [Hirose](#) manufacturer:

Other Similar products are found below :

[5M2530B10P](#) [600259N006](#) [600273N007](#) [6134-336-13149](#) [6134-337-11149](#) [6134-337-2390](#) [6134-341-17149](#) [6280-4SG-516](#) [6280-7SG-3DC](#)
[6290](#) [6291A](#) [66200A-10](#) [680-SMG](#) [681-PMG](#) [CXS3102A14S2P](#) [CXS3102A181S](#) [7251-6SG-300](#) [7271-6SG-300](#) [7282-3PG-300-CH3](#) [75-](#)
[474014-05S](#) [75-474618-01S](#) [75-474618-04S](#) [799539-000](#) [MI8-SE](#) [805-005-07NF11-19PC](#) [805-005-07NF15-7PA](#) [8280-4PG-516](#) [8280-7PG-](#)
[519](#) [8282-5PG-519](#) [836783-1](#) [MP-4102-25P-C](#) [862256-1](#) [864019-2](#) [866857-1](#) [867865-1](#) [PT01SP-14-18P](#) [PT08P-14-5S](#) [PTSF06SE-14-12S](#)
[120-1833-000](#) [QCM019PC2DC012B](#) [1-2069279-1](#) [121583-0217](#) [121667-0020](#) [129591AU](#) [1000B BULK](#) [RD10A16-19-P6CS051/1](#)
[RD10A20-31-P8CS051/1](#) [RD16A14-12-S6CS051/2](#) [1301240290](#) [1301240347](#) [1301860202](#)