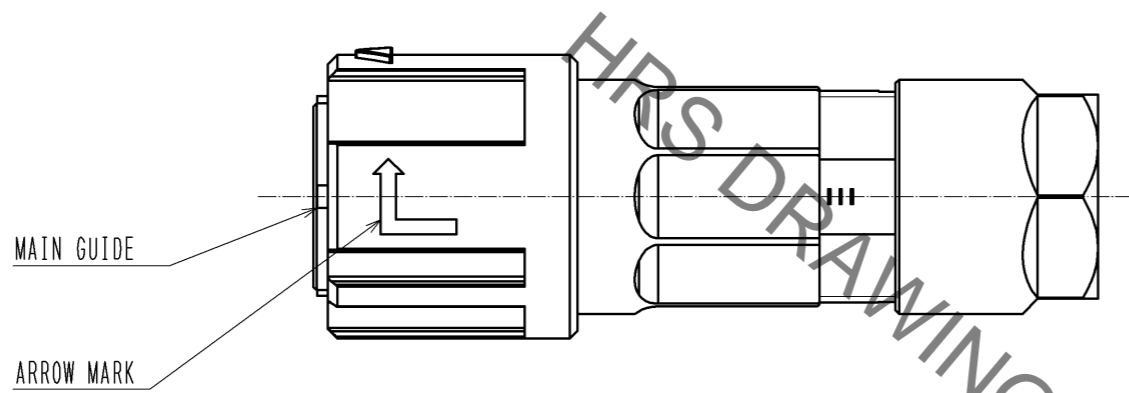
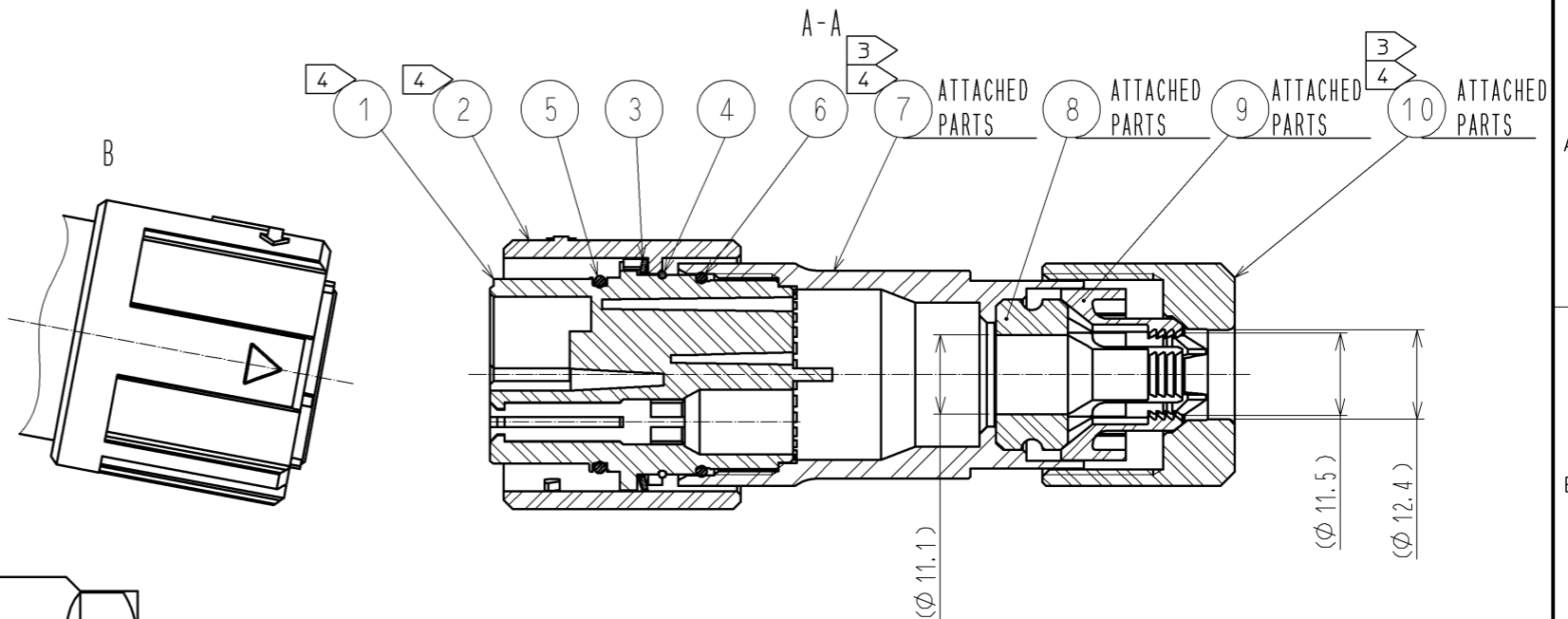
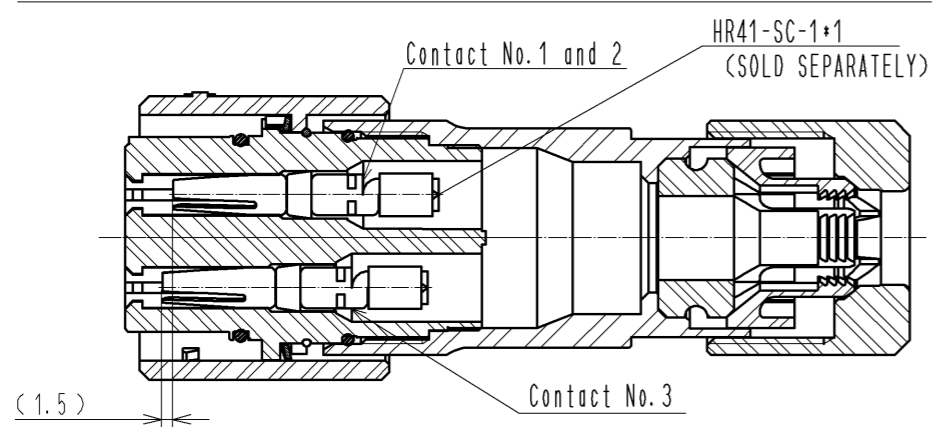
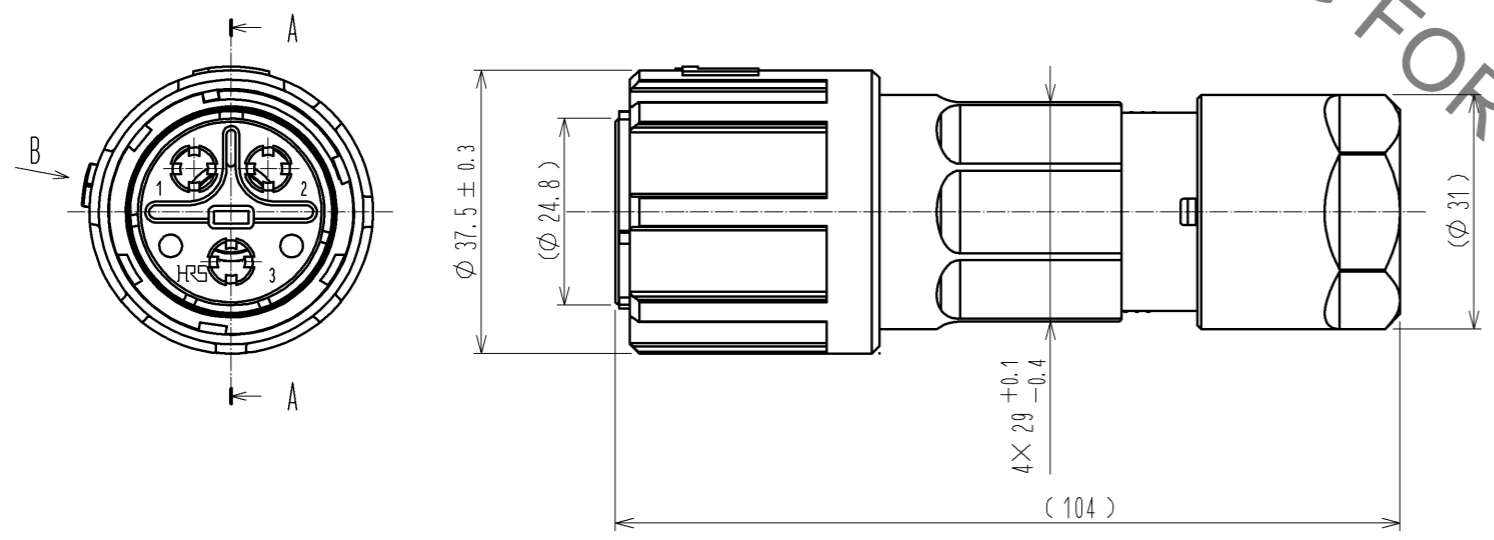
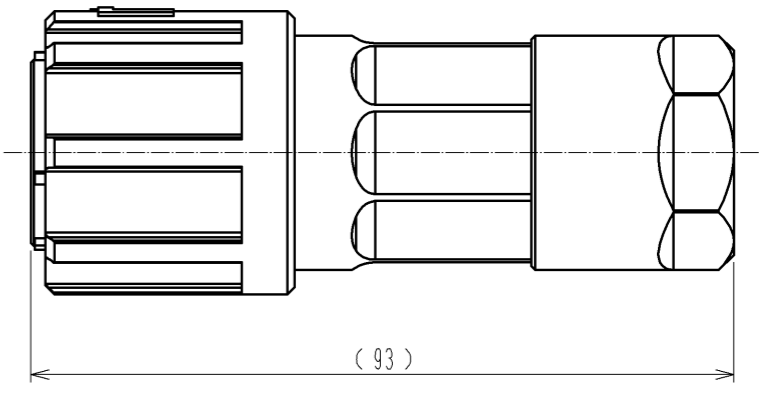


Sep.1.2021 Copyright 2021 HIROSE ELECTRIC CO., LTD. All Rights Reserved.
In case of consideration for using Automotive equipment / device which demand high reliability, kindly contact our sales window correspondents.

1 FIG.1 SHOWS THE STATE APPLICABLE CONTACT ASSEMBLED AND SEQUENTIAL STRUCTURE



5 Fig.2 AFTER ASSEMBLY



- NOTES
- 1 Fig.1 SHOWS THE STATE APPLICABLE CONTACT ASSEMBLED AND SEQUENTIAL STRUCTURE.
APPLICABLE CRIMPING CONTACT:HR41-SC-1*1(SOLD SEPARATELY)
 - 2 APPLICABLE CRIMP CONTACT EXTRACTION TOOL:HR41-TP
 - 3 THE RECOMMENDED TIGHTENING TORQUE OF REF. NO. ⑦ AND ⑩ TO BE 5 TO 5.5 N · m
THE ADHESIVE FOR PREVENTION OF LOOSENESS IS NOT NECESSARY IN THE FIRST TIME.
LOCTITE 263, LOCPRIMER 7649, HENKEL JAPAN IS RECOMMENDED TO PREVENT REF. NO. ⑦, ⑩ FROM LOOSING. AFTER THE SECOND TIME.
 - 4 ROTATION EXAMPLES ARE SHOWN FOR REF.NO. ①, ②, ⑦ AND ⑩.
 - 5 Fig.2 SHOWS THE APPEARANCE AFTER ASSEMBLY.
 - 6 THE CABLE PULL AND TWISTING STRENGTH AND OTHER CHARACTERISTICS MAY DIFFER, DEPENDING ON THE CABLE STRUCTURE.
PLEASE CONFIRM BEFORE THE USE.
 - 7 THE ASSEMBLY OF THIS PRODUCT APPLIES TO THE MANUAL ETAD-C0288

NO.	MATERIAL	FINISH	REMARKS	NO.	MATERIAL	FINISH	REMARKS
5	SILICONE RUBBER	(LIGHT RED)		10	POLYAMIDE	(BLACK)	UL94V-0
4	STAINLESS STEEL			9	POLYAMIDE	(CNC, WHITE)	UL94V-0
3	STAINLESS STEEL			8	SILICONE RUBBER	(BLACK)	
2	POLYAMIDE	(BLACK)	UL94V-0	7	POLYAMIDE	(BLACK)	UL94V-0
1	POLYAMIDE	(BLACK)	UL94V-0	6	SILICONE RUBBER	(RED)	

UNITS	SCALE	COUNT	DESCRIPTION OF REVISIONS	DESIGNED	CHECKED	DATE
mm	1 : 1	1	DIS-C-003016	KN. IKEHARA	HY. KOBAYASHI	13. 10. 07

APPROVED	DATE	DRAWING NO.
SU. OBARA	13. 01. 28	EDC3-118084-00
CHECKED	DATE	PART NO.
HY. KOBAYASHI	13. 01. 28	HR41-25WBPE-3SC
DESIGNED	DATE	CODE NO.
TY. SUZUKI	13. 01. 28	CL141-0024-2-00
DRAWN	DATE	
TY. SUZUKI	13. 01. 28	

X-ON Electronics

Largest Supplier of Electrical and Electronic Components

Click to view similar products for [Standard Circular Connector](#) category:

Click to view products by [Hirose](#) manufacturer:

Other Similar products are found below :

[5M2530B10P](#) [600259N006](#) [600273N007](#) [6134-336-13149](#) [6134-337-11149](#) [6134-337-2390](#) [6134-341-17149](#) [6280-4SG-516](#) [6280-7SG-3DC](#)
[6290](#) [6291A](#) [66200A-10](#) [680-SMG](#) [681-PMG](#) [CXS3102A14S2P](#) [CXS3102A181S](#) [7251-6SG-300](#) [7271-6SG-300](#) [7282-3PG-300-CH3](#) [75-](#)
[474014-05S](#) [75-474618-01S](#) [75-474618-04S](#) [799539-000](#) [MI8-SE](#) [805-005-07NF11-19PC](#) [805-005-07NF15-7PA](#) [8280-4PG-516](#) [8280-7PG-](#)
[519](#) [8282-5PG-519](#) [836783-1](#) [MP-4102-25P-C](#) [862256-1](#) [864019-2](#) [866857-1](#) [867865-1](#) [PT01SP-14-18P](#) [PT08P-14-5S](#) [PTSF06SE-14-12S](#)
[120-1833-000](#) [QCM019PC2DC012B](#) [1-2069279-1](#) [121583-0217](#) [121667-0020](#) [129591AU](#) [1000B BULK](#) [RD10A16-19-P6CS051/1](#)
[RD10A20-31-P8CS051/1](#) [RD16A14-12-S6CS051/2](#) [1301240290](#) [1301240347](#) [1301860202](#)