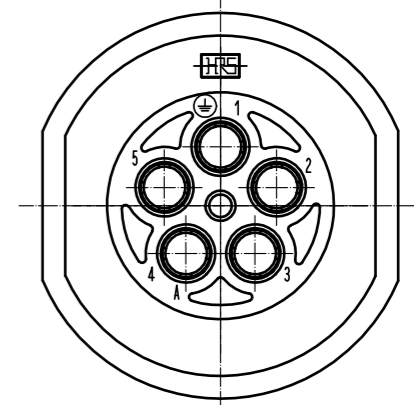
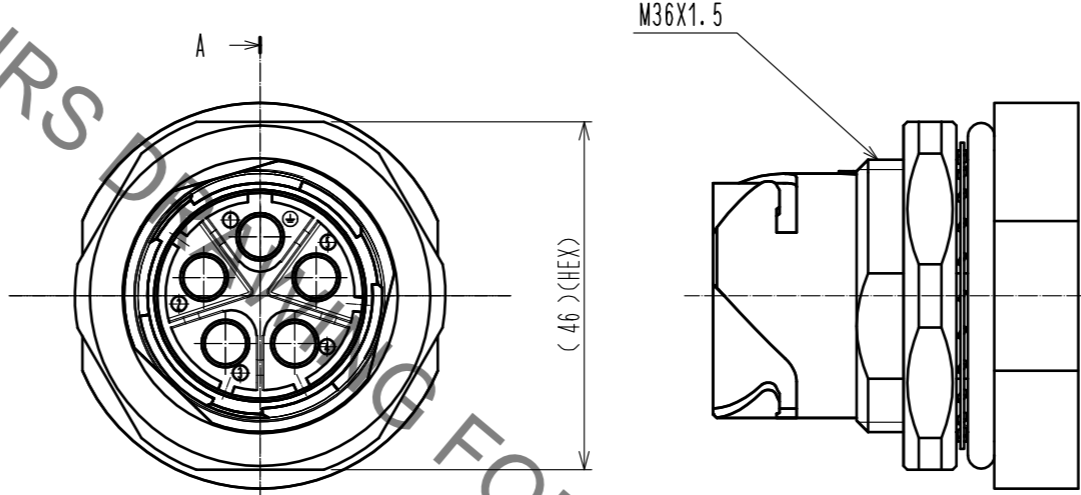
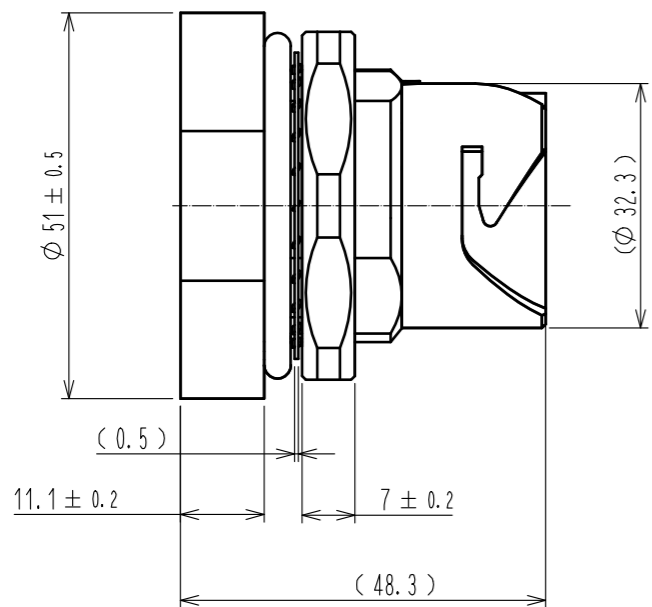
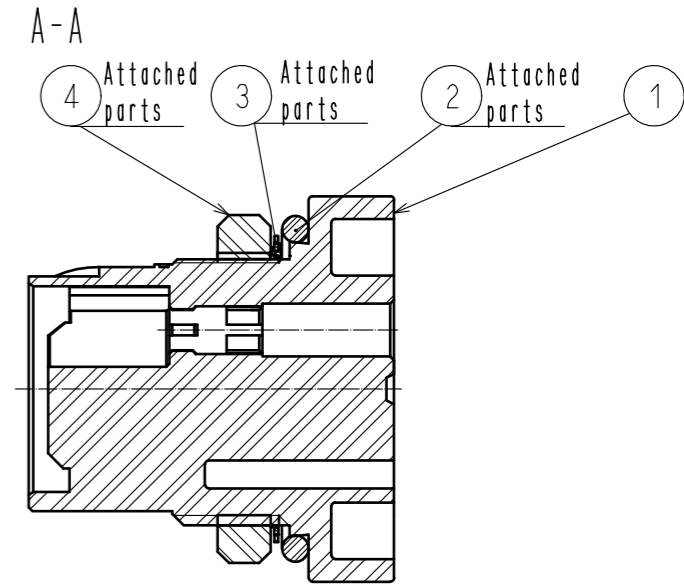
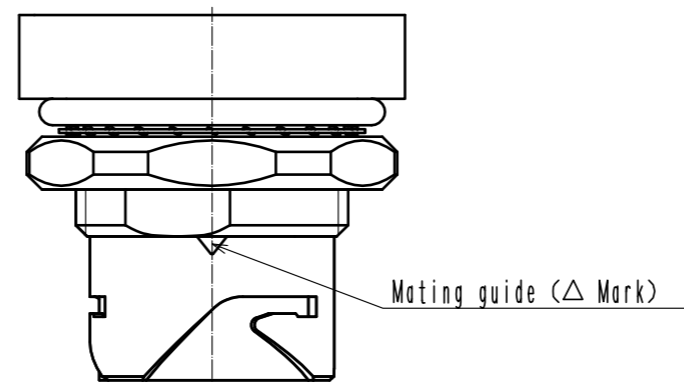
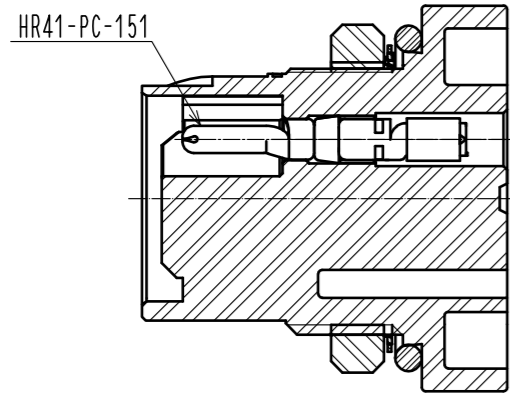


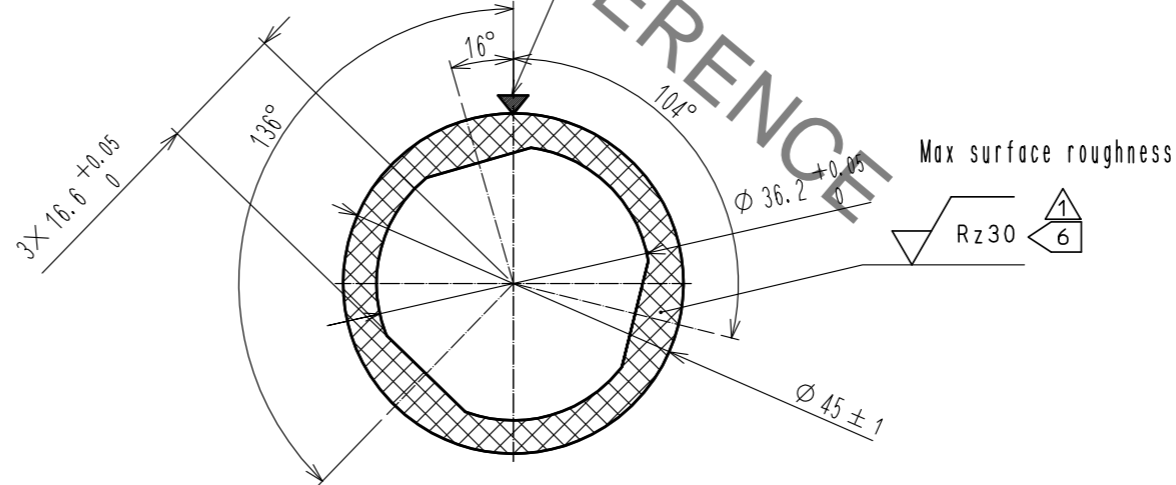
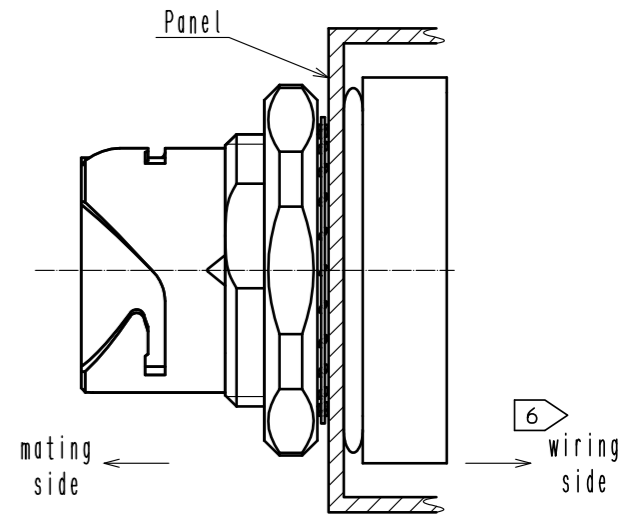
Sep.1.2021 Copyright 2021 HIROSE ELECTRIC CO., LTD. All Rights Reserved.
In case of consideration for using Automotive equipment / device which demand high reliability, kindly contact our sales window correspondents.

1 Fig.1 The state applicable contact assembled



4 Fig.2 The recommendd panel dimention. (t=5.5(MAX))
(As viewed from mating side.)
Main guide position

4 Fig.3 The state applicable connector set up.



- Notes
- 1 Fig.1 shows the state applicable contact assembled applicable crimping contact:HR41-PC-151
 - 2 Applicable crimp contact extraction tool:HR41-TP
 - 3 The recommended tightening torque of Ref. No. 4 to be 5 to 5.5 N·m.
 - 4 Fig.2 shows the recommendd panel dimention.
Fig.3 shows the state applicable connector set up.
When connector set up, it in order of Ref. 2, panel, Ref. 3, Ref. 4.
Please check Ref No. 2 is properly set at the groove of Ref.No. 1.
While mounting the connector,make sure that Ref No. 2 is not caught.
 - 5 The assembly of this product applies to the manual ETAD-C0288
 - 6 The surface roughness of the cross-hatched part should be applied to the wiring side.

| 2 | Silicone rubber | (Light red) | 4 | Polyamide | (Black) UL94V-0 | | |
|------------------------|-----------------|------------------|----------|----------------------------|------------------|-------------|----------|
| 1 | Polyamide | (Black) UL94V-0 | 3 | Stainless steel | | | |
| NO. | MATERIAL | FINISH . REMARKS | NO. | MATERIAL | FINISH . REMARKS | | |
| UNITS | | SCALE | COUNT | DESCRIPTION OF REVISIONS | DESIGNED | CHECKED | DATE |
| mm | | 1 : 1 | 3 | DIS-C-00004306 | SH. KOYAMA | TP. KOMATSU | 20201016 |
| APPROVED :SU. OBARA | | | 20120620 | DRAWING NO. EDC3-117699-00 | | | |
| CHECKED :HY. KOBAYASHI | | | 20120620 | PART NO. HR41-25WBRA-5PC | | | |
| DESIGNED :TY. SUZUKI | | | 20120620 | CODE NO. CL141-0010-8-00 | | | |
| DRAWN :TY. SUZUKI | | | 20120620 | | | | |

X-ON Electronics

Largest Supplier of Electrical and Electronic Components

Click to view similar products for [Standard Circular Connector](#) category:

Click to view products by [Hirose](#) manufacturer:

Other Similar products are found below :

[5M2530B10P](#) [600259N006](#) [600273N007](#) [6134-336-13149](#) [6134-337-11149](#) [6134-337-2390](#) [6134-341-17149](#) [6280-4SG-516](#) [6280-7SG-3DC](#)
[6290](#) [6291A](#) [66200A-10](#) [680-SMG](#) [681-PMG](#) [CXS3102A14S2P](#) [CXS3102A181S](#) [7251-6SG-300](#) [7271-6SG-300](#) [7282-3PG-300-CH3](#) [75-](#)
[474014-05S](#) [75-474618-01S](#) [75-474618-04S](#) [799539-000](#) [MI8-SE](#) [805-005-07NF11-19PC](#) [805-005-07NF15-7PA](#) [8280-4PG-516](#) [8280-7PG-](#)
[519](#) [8282-5PG-519](#) [836783-1](#) [MP-4102-25P-C](#) [862256-1](#) [864019-2](#) [866857-1](#) [867865-1](#) [PT01SP-14-18P](#) [PT08P-14-5S](#) [PTSF06SE-14-12S](#)
[120-1833-000](#) [QCM019PC2DC012B](#) [1-2069279-1](#) [121583-0217](#) [121667-0020](#) [129591AU](#) [1000B BULK](#) [RD10A16-19-P6CS051/1](#)
[RD10A20-31-P8CS051/1](#) [RD16A14-12-S6CS051/2](#) [1301240290](#) [1301240347](#) [1301860202](#)